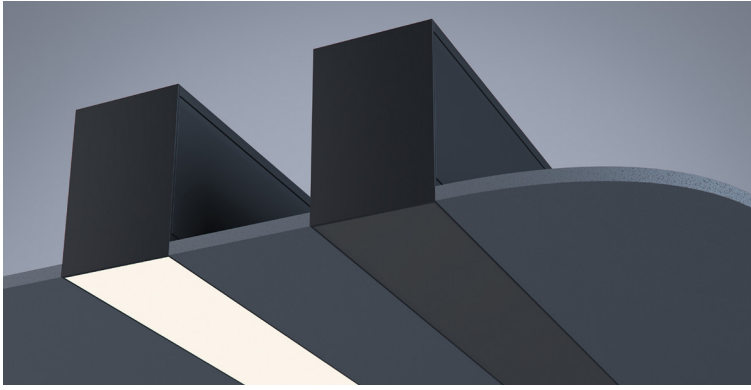


DATE \_\_\_\_\_ PROJECT \_\_\_\_\_ FIRM \_\_\_\_\_ TYPE \_\_\_\_\_



### FEATURES

- **BLACK OPTIC**
- Available In Made To Measure Lengths Accurate Up To 1/16"
- Patterns Available (See Page 3)
- Damp Location Rated
- CRI 90+ Standard; R9>50
- 5 Year, 50,000 Hour Fixture Warranty
- 2700K, 3000K, 3500K, 4000K & 5000K Color Temperatures Available
- Available with PoE- [See More](#)

**APPLICATIONS** Offices, Lobbies, Retail Stores, Classrooms, Reception Areas, & Corridors

**FINISH** Standard Powder-Coated Black. Custom RAL Colors Available

**CONSTRUCTION** Extruded Aluminum Housing with Steel End Caps. Formed Steel Gear Tray

**OPTICS** **BLACK OPTIC**



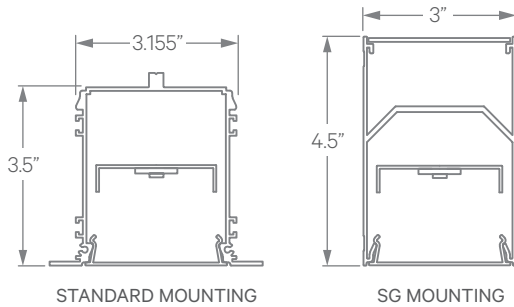
### DRIVERS, SENSORS, & POE



For Wiring Diagrams, POE, and Sensor Information Click [Here](#)

**ELECTRICAL** Integral Driver with 0-10V Dimming Standard. Several Driver Options Available

### EXTRUSION DIMENSIONS



### LED SYSTEM INFORMATION

|                 | Nominal System Watts | Nominal Delivered Lumens |
|-----------------|----------------------|--------------------------|
| Standard (LTG1) | 7.25 W/ft            | 140 lm/ft                |
| Low (LTG2)      | 5 W/ft               | 101 lm/ft                |
| High (LTG3)     | 10 W/ft              | 192 lm/ft                |

Based on a 90CRI, 3500K luminaire using one driver. Custom outputs available; specify below.

### ORDERING

#### 1 - FIXTURE ID

LSR3 LED - BKO™

#### 2 - LENGTH

- 2 - 2 ft
- 4 - 4 ft
- 8 - 8 ft
- X'-X" - Specify Length
- PAT - Pattern (Consult Factory)

#### 3 - COLOR TEMP

- 27 - 2700K/90 CRI
  - 30 - 3000K/90 CRI
  - 35 - 3500K/90 CRI
  - 40 - 4000K/90 CRI
  - 50 - 5000K/90 CRI
  - WD\* - Warm Dim 2200K-3000K
  - TW\*\* - Tunable White 2700K-6500K
- \*Requires WD10 Driver  
\*\*Requires TW10 Driver

#### 4 - LED SYSTEM

- LTG1 - Standard
- LTG2 - Low
- LTG3 - High
- LTGC - Custom Output

#### 5 - VOLTAGE

- UNV - Universal (120/277V)
  - 347V\* - 347V
- \*Must use DB Driver

#### 6 - DRIVER

- DB - Standard 1% Dimming (0-10V)
- DB.1% - 0.1% Dimming (0-10V)
- ELV-TRI - 2-wire 1% Dimming (120V only) ELV and TRIAC Compatible
- LDE1 - Lutron Digital EcoSystem
- LDE5 - 5 Series EcoSystem; 5% Dimming
- DALI - DALI-2 Driver
- PoE - Power over Ethernet. Consult Factory for Compatibility
- TW10 - Dual Channel, 0-10V For Color Tuning (CCT and Intensity Control)
- WD10 - 0-10V Driver For Warm Dimming

#### 7 - FINISH

- W - White (Standard)
- CC - Custom Color (provide RAL#)

#### 8 - MOUNTING

- T - 9/16" Tee Grid
  - T15 - 15/16" Tee Grid
  - SG - Slot Grid/Interlude
  - F - Flange
  - NT - Mud-in Flange
  - PM-X\* - Perimeter Mount
- \*X' denotes mounting type on opposite side of wall (ie-PM-NT). Consult Factory

#### 10 - SENSORS & CONTROLS (OPTIONAL)

- EIS - Enlighted Sensor
- WISD - Wattstopper Daylight Sensor
- WISM - Wattstopper Occupancy Sensor
- ECS - Eaton WaveLinx Sensor
- ACM - Acuity nLight Module Only
- ACS - Acuity nLight Sensor
- CCS - Casambi Module
- TRI - Occupancy/Daylight Sensor

NOTE: For other control systems not listed consult factory.

#### 10 - CIRCUIT (Optional)

- EMCKT - Emergency Circuit

#### 11 - OTHER OPTIONS

- WH6 - 6ft Whips Preinstalled
- CP - Chicago Plenum

DATE

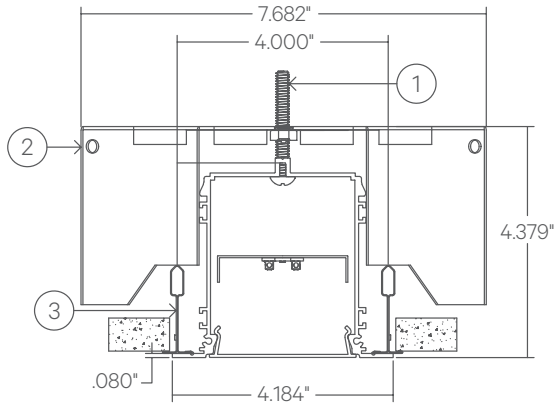
PROJECT

FIRM

TYPE

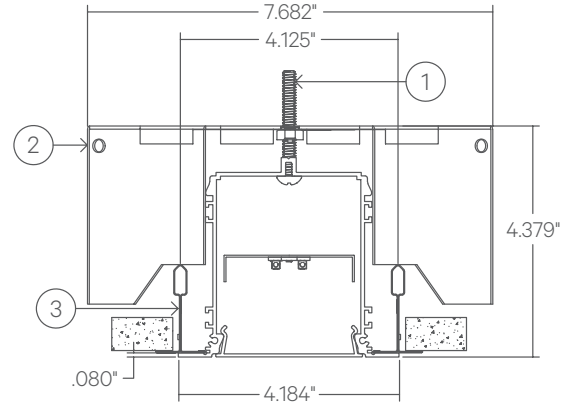
## MOUNTING OPTIONS

**T** - 9/16" Tee Grid



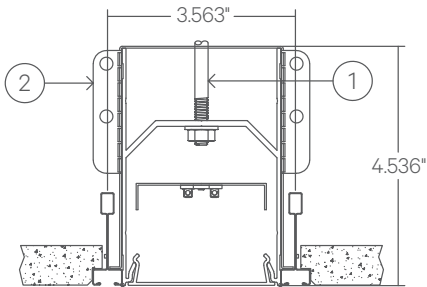
- 1 - Threaded Rod (not supplied)
- 2 - Tee Grid Bracket
- 3 - Tee Grid

**T15** - 15/16" Tee Grid



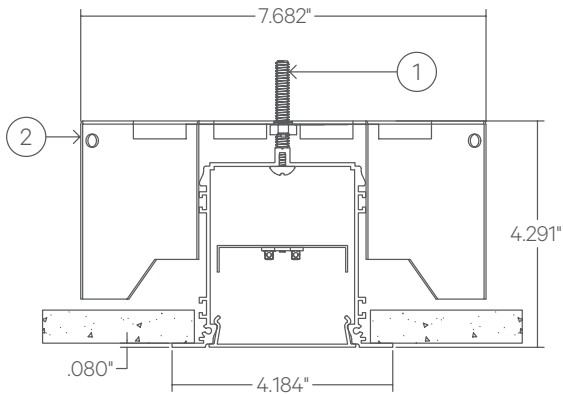
- 1 - Threaded Rod (not supplied)
- 2 - Tee Grid Bracket
- 3 - Tee Grid

**SG** - Slot Grid/Interlude



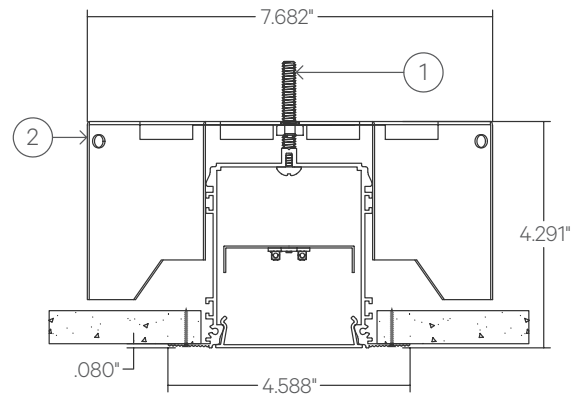
- 1 - Threaded Rod (not supplied)
- 2 - Slot Grid Bracket
- 3 - Slot Grid

**F** - Flange



- 1 - Threaded Rod (not supplied)
- 2 - Bracket

**NT** - No Trim/Spackle Flange



- 1 - Threaded Rod (not supplied)
- 2 - Bracket

Updated: 01/9/2021

DATE

PROJECT

FIRM

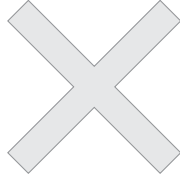
TYPE

### PATTERNS

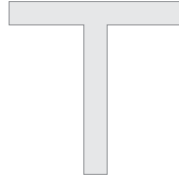
Patterns feature illuminated corners and angles. **Must consult factory for custom corners and patterns.**



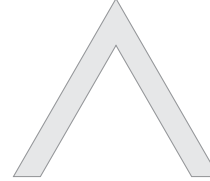
Square Patterns



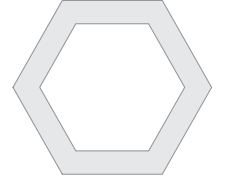
X Patterns



T Patterns

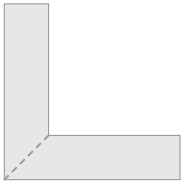


Custom Angles



Custom Patterns

### LENS CUT



Mitered