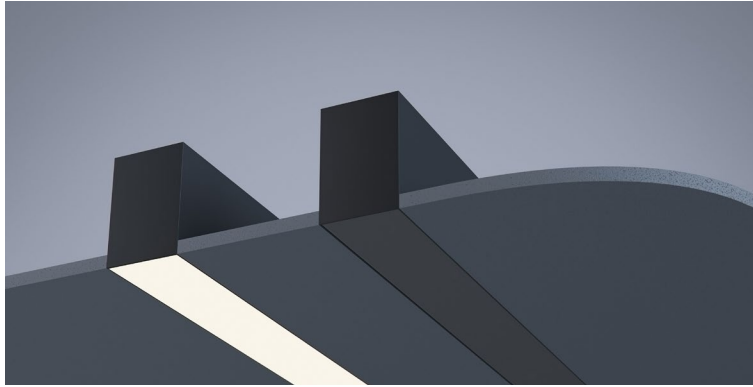


DATE	PROJECT	FIRM	TYPE
------	---------	------	------



Narrow, recessed, architectural luminaire with specially formulated **BLACK OPTIC** that allows the unilluminated fixture to seamlessly blend in to dark environments and delivers full illumination when switched on. Suitable for grid systems and drywall installation as well as custom mounting requests.

FEATURES

- **BLACK OPTIC**
- Available In Made To Measure Lengths Accurate Up To 1/16"
- Patterns Available (See Page 3)
- Damp Location Rated
- CRI 90+ Standard; R9>50
- 5 Year, 50,000 Hour Fixture Warranty
- 2700K, 3000K, 3500K, 4000K & 5000K Color Temperatures Available
- Available with PoE

APPLICATIONS	Offices, Lobbies, Retail Stores, Classrooms, Reception Areas & Corridors
---------------------	--

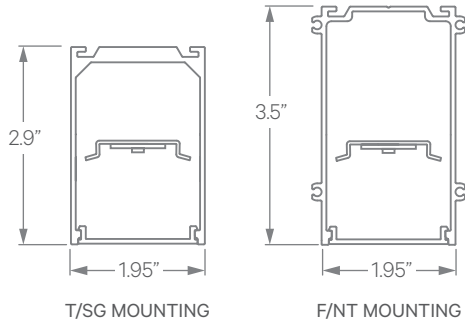
CONSTRUCTION	Extruded Aluminum Housing with Steel End Caps. Formed Steel Gear Tray	OPTICS	BLACK OPTIC
---------------------	--	---------------	--------------------

WARRANTY	5 Year Limited Warranty (Covers Standard Components)	FINISH	Standard Powder-Coated White. Custom RAL Colors Available
-----------------	--	---------------	---

FIXTURE RATINGS & CERTIFICATIONS	Union Made	Made In The USA	 	DRIVERS & SENSORS	
	ETL Listed	Damp Location Rated			

ELECTRICAL	Integral Driver with 0-10V Dimming Standard. Several Driver Options Available	For Wiring Diagrams and Sensor Information Click Here
-------------------	---	---

EXTRUSION DIMENSIONS



ORDERING

1 - FIXTURE ID	2 - LENGTH	3 - COLOR TEMP	4 - LED SYSTEM	5 - VOLTAGE	6 - DRIVER
LSR1 LED - BKO™	2 - 2 ft 4 - 4 ft 8 - 8 ft X'-X" - Specify Length PAT - Pattern (Consult Factory)	27 - 2700K/90 CRI 30 - 3000K/90 CRI 35 - 3500K/90 CRI 40 - 4000K/90 CRI 50 - 5000K/90 CRI TW* - Tunable White *Must use DMX or TW10 Driver	LTG1 - Standard LTG2 - Low LTG3 - High LTGC - Custom Output	UNV - Universal (120/277V)	DB - Standard Dimming (0-10V) DB1% - 1% Dimming (0-10V) DB.1% - 0.1% Dimming (0-10V) LTEA - Lutron 2-wire 1% Dimming (120V only) LDE1 - Lutron Digital EcoSystem LDE5 - 5 Series EcoSystem; 5% Dimming PoE - Power over Ethernet. Consult Factory for Compatibility DMX - For Color Tuning and RGBW (Remote) TW10 - Dual Channel, 0-10V For Color Tuning (CCT and Intensity Control)
7 - FINISH	8 - MOUNTING	9 - CONTROL (Optional)	10 - CIRCUIT (Optional)	11 - OTHER OPTIONS	
W - White (Standard) CC - Custom Color (provide RAL#)	T - 9/16" Tee Grid T15 - 15/16" Tee Grid SG - Slot Grid/Interlude F - Flange NT - No Trim/Spackle Flange PM-X* - Perimeter Mount *X' denotes mounting type on opposite side of wall (ie-PM-NT). Consult Factory	EIS - Enlighted Sensor WISD - Wattstopper Daylight Sensor WISM - Wattstopper Occupancy Sensor SLS - SensiLUM Sensor ACS - Acuity Controls nLight System CCS - Casambi Compatible ECS - Eaton WaveLinx System *For other control systems not listed consult factory.	EMCKT - Emergency Circuit	WH6 - 6ft Whips Preinstalled CP - Chicago Plenum	

Updated: 07/8/2019

DATE

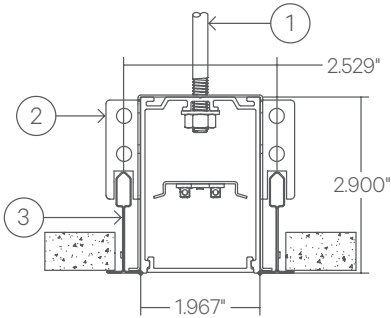
PROJECT

FIRM

TYPE

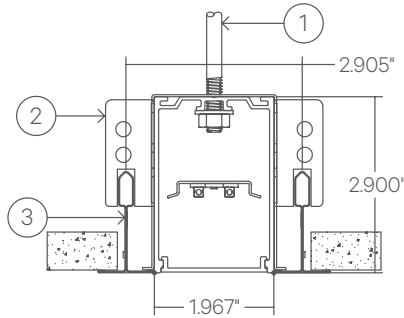
MOUNTING OPTIONS

T - 9/16" Tee Grid



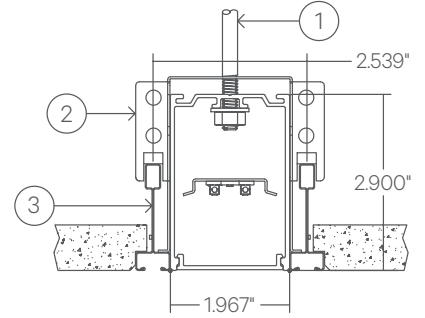
- 1 - Threaded Rod (not supplied)
- 2 - Tee Grid Bracket
- 3 - Tee Grid

T15 - 15/16" Tee Grid



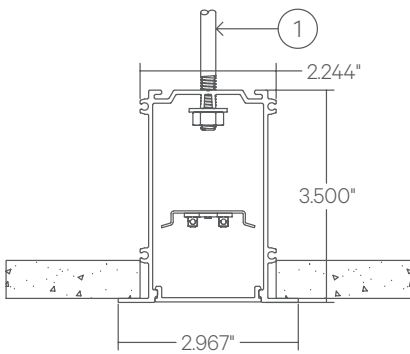
- 1 - Threaded Rod (not supplied)
- 2 - Tee Grid Bracket
- 3 - Tee Grid

SG - Slot Grid/Interlude



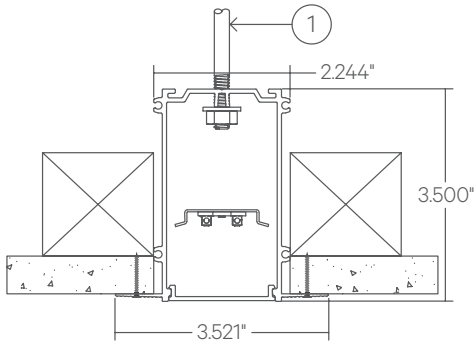
- 1 - Threaded Rod (not supplied)
- 2 - Slot Grid Bracket
- 3 - Slot Grid

F - Flange



- 1 - 1/4-20 Threaded Rod (not supplied)

NT - No Trim/Spackle Flange



- 1 - 1/4-20 Threaded Rod (not supplied)

DATE

PROJECT

FIRM

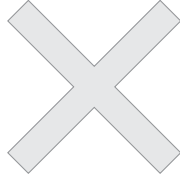
TYPE

PATTERNS

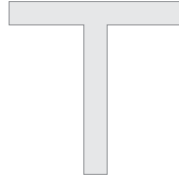
Patterns feature illuminated corners and angles. **Must consult factory for custom corners and patterns.**



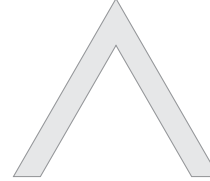
Square Patterns



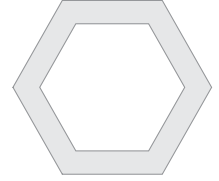
X Patterns



T Patterns

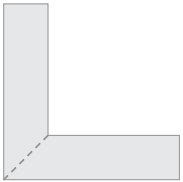


Custom Angles



Custom Patterns

LENS CUT



Mitered