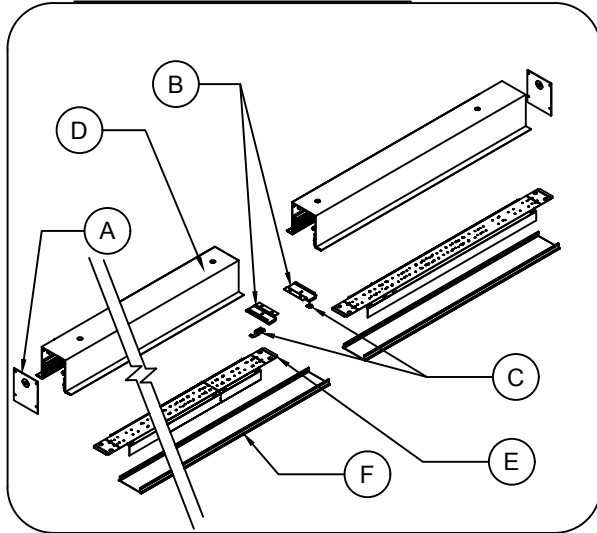


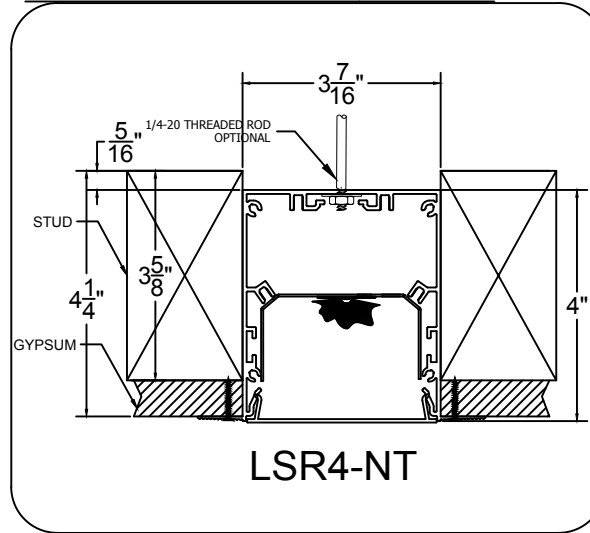
Coronet® INSTALLATION SHEET FOR LSR4 BKO-NO TRIM

-TO BE USED IN CONJUNCTION WITH SUBMITTAL DRAWING

• EXPLODED VIEW:



• CROSS SECTION VIEW:



• PART LIST:

A- END PLATE

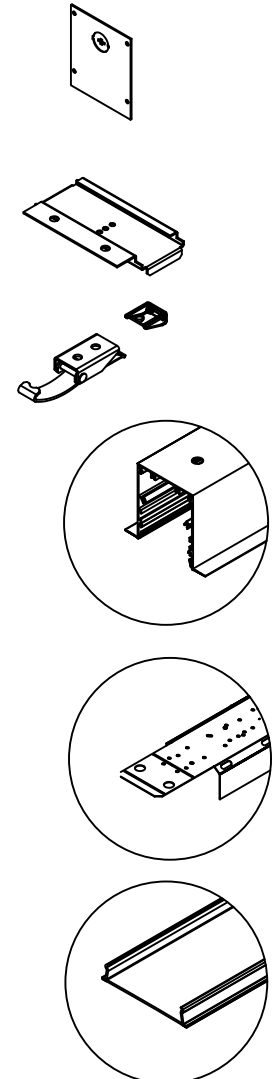
B- CONNECTOR BRACKET

C- LATCH CONNECTORS

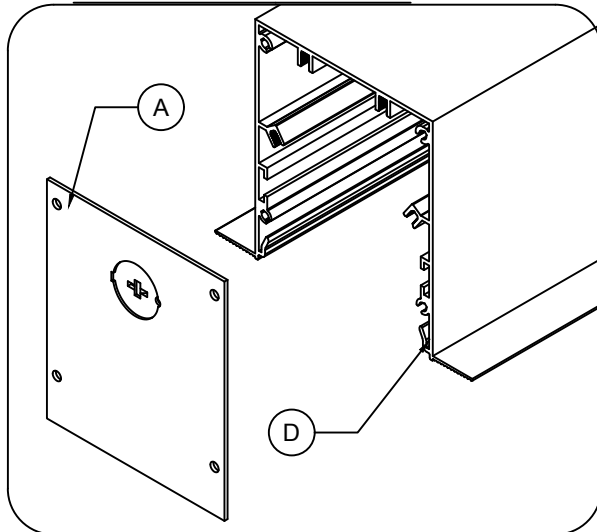
D- NT FIXTURE

E- LED TRAY

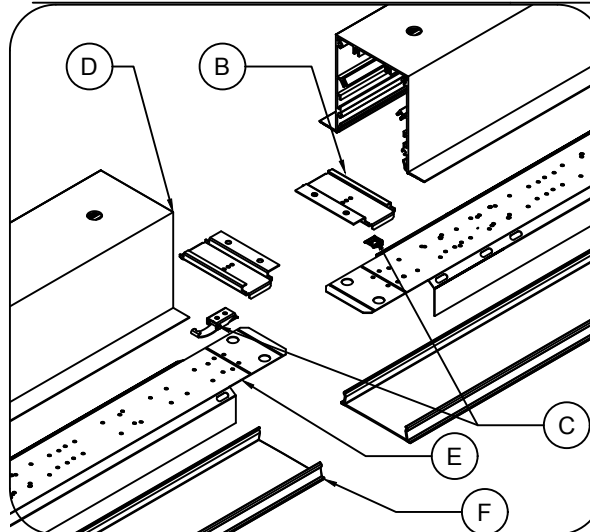
F- LENS



• DETAILED VIEW:



• CONNECTING DETAILED VIEW:



1. CORONET INC. RESERVES THE RIGHT TO MAKE ANY DESIGN CHANGES FOR CONTINUOUS IMPROVEMENT WHICH WILL NOT AFFECT THE OVERALL APPEARANCE OR PERFORMANCE. 2. ALL FIXTURES TO BE WIRED BY CERTIFIED ELECTRICIAN ONLY.

CORONET INC.

55 Shepherds Lane, Totowa, NJ 07512
 T: 973-345-7660 F: 973-345-8705
 WWW.CORONETLED.COM

WARNING: RISK OF FIRE AND ELECTRICAL SHOCK. FIXTURE MUST BE INSTALLED BY A QUALIFIED ELECTRICIAN ONLY IN ACCORDANCE WITH NATIONAL LOCAL BUILDING AND ELECTRICAL CODES. DISCONNECT POWER AT ELECTRICAL PANEL BEFORE SERVICING.



Coronet® INSTALLATION SHEET FOR LSR4 BKO-NO TRIM

-TO BE USED IN CONJUNCTION WITH SUBMITTAL DRAWING

1

CEILING

CEILING CUT OUT DIMENSION

⚠ DANGER
Hazardous voltage. Contact will cause electric shock or burn. Only work on de-energized equipment. Disconnect power before wiring fixture.

- Warning: Before cutting ceiling, Power conduit must be located in the appropriate site.

2

D

E

F

NOTICE
Do not touch LED
May damage device
Observe precautions for handling electrostatic sensitive devices.

- CONTINUOUS ROW:** Remove lens and led tray before installing into the ceiling.
note: skip step 4 & 5 for a single fixture.

3

1/4-20 THREADED ROD OPTIONAL

3 7/16"

D

4"

CEILING

- this step is optional. Install fixture into ceiling cut using a threaded rod and nut.

4

D

- CONTINUOUS ROW:** Use pin aligners to align fixtures properly

5

B

C

- CONTINUOUS ROW:** Use catch & latch lock to connect fixtures.

6

1/4-20 THREADED ROD OPTIONAL

3 7/16"

D

4"

CEILING

- Screw Anchor through the spackle Flange

1. CORONET INC. RESERVES THE RIGHT TO MAKE ANY DESIGN CHANGES FOR CONTINUOUS IMPROVEMENT WHICH WILL NOT AFFECT THE OVERALL APPEARANCE OR PERFORMANCE. 2. ALL FIXTURES TO BE WIRED BY CERTIFIED ELECTRICIAN ONLY.

Page 2

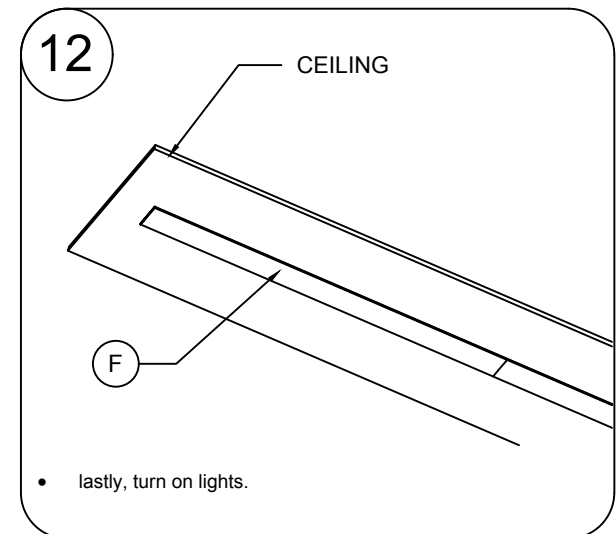
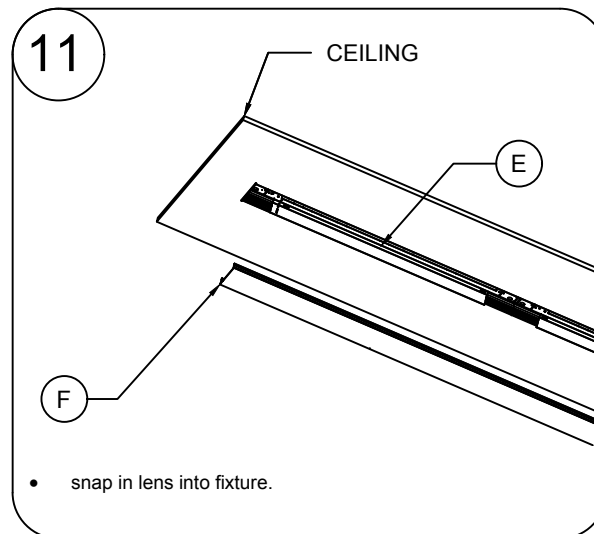
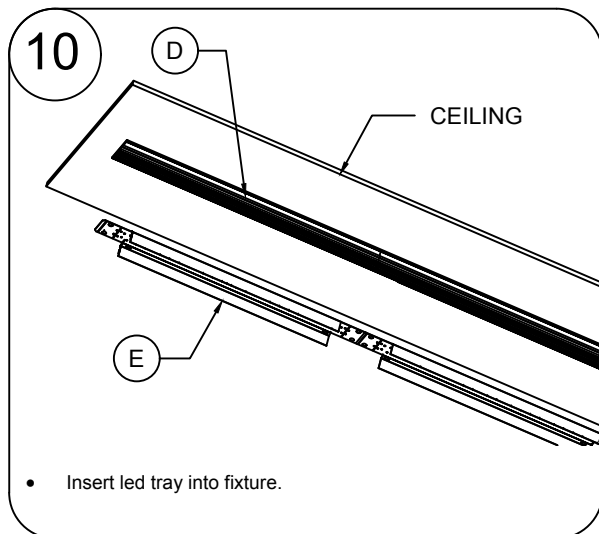
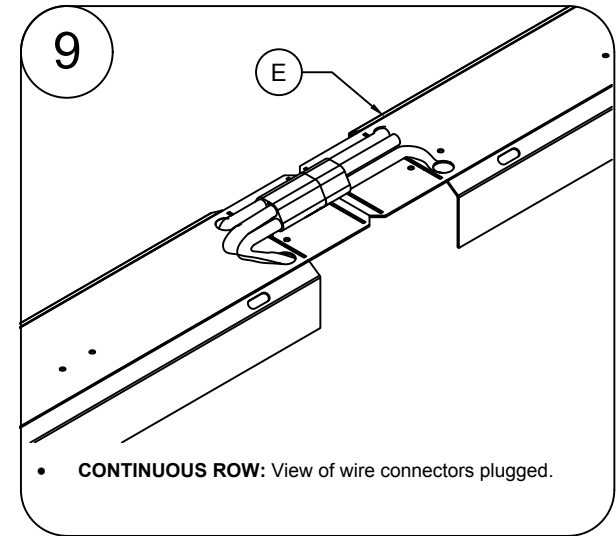
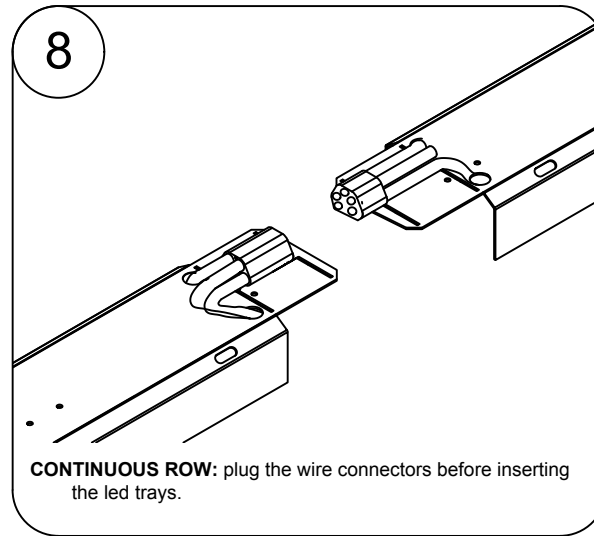
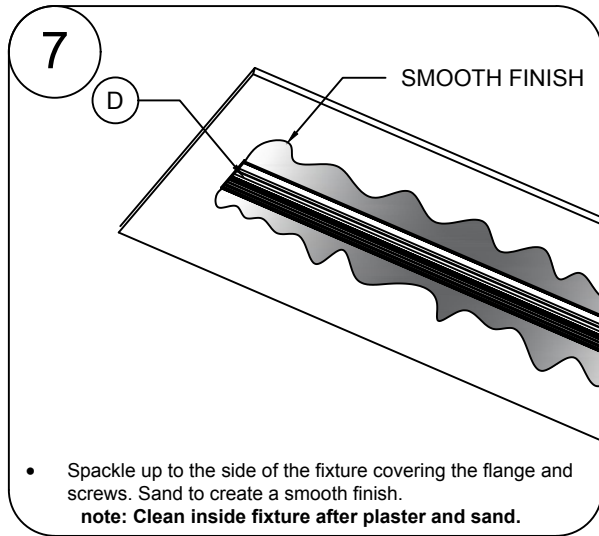
CORONET INC.
55 Shepherds Lane, Totowa, NJ 07512
T: 973-345-7660 F: 973-345-8705
WWW.CORONETLED.COM

WARNING: RISK OF FIRE AND ELECTRICAL SHOCK. FIXTURE MUST BE INSTALLED BY A QUALIFIED ELECTRICIAN ONLY IN ACCORDANCE WITH NATIONAL LOCAL BUILDING AND ELECTRICAL CODES. DISCONNECT POWER AT ELECTRICAL PANEL BEFORE SERVICING.



Coronet® INSTALLATION SHEET FOR LSR4 BKO-NO TRIM

-TO BE USED IN CONJUNCTION WITH SUBMITTAL DRAWING



1. CORONET INC. RESERVES THE RIGHT TO MAKE ANY DESIGN CHANGES FOR CONTINUOUS IMPROVEMENT WHICH WILL NOT AFFECT THE OVERALL APPEARANCE OR PERFORMANCE. 2. ALL FIXTURES TO BE WIRED BY CERTIFIED ELECTRICIAN ONLY.

Page 3

CORONET INC.
 55 Shepherds Lane, Totowa, NJ 07512
 T: 973-345-7660 F: 973-345-8705
 WWW.CORONETLED.COM

WARNING: RISK OF FIRE AND ELECTRICAL SHOCK. FIXTURE MUST BE INSTALLED BY A QUALIFIED ELECTRICIAN ONLY IN ACCORDANCE WITH NATIONAL LOCAL BUILDING AND ELECTRICAL CODES. DISCONNECT POWER AT ELECTRICAL PANEL BEFORE SERVICING.

