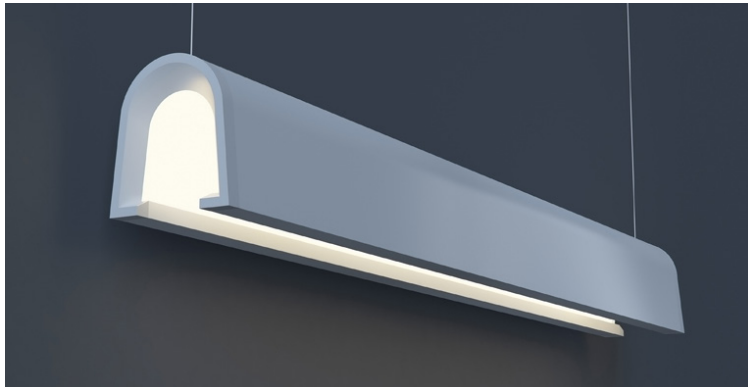


DATE _____ PROJECT _____ FIRM _____ TYPE _____



FEATURES

- Available In Made To Measure Lengths Accurate Up To 2"
- Damp Location Rated
- CRI 90+ Standard; R9>50
- 5 Year, 50,000 Hour Fixture Warranty
- 2700K, 3000K, 3500K & 4000K Color Temperatures Available
- Available with PoE- [See More](#)

APPLICATIONS Offices, Lobbies, Retail Stores, Classrooms, Reception Areas, & Corridors

FINISH Standard Powder-Coated White. Custom RAL Colors Available

CONSTRUCTION Extruded Aluminum Housing and Reflector with Die Cast Ends

OPTICS Concealed LED Source Uplighting with Optically Coated White Reflector and No LED Imaging.



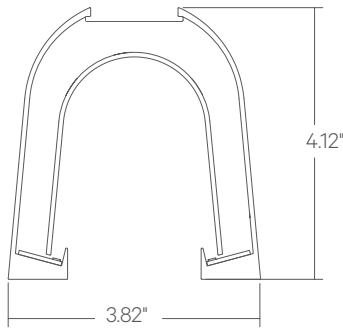
DRIVERS, SENSORS, & POE

For Wiring Diagrams, POE, and Sensor Information Click [Here](#)



ELECTRICAL Remote Driver with 0-10V, 1% Dimming Standard. Several Driver Options Available

EXTRUSION DIMENSIONS



LED SYSTEM INFORMATION

	Nominal System Watts	Nominal Delivered Lumens
Standard (LTG1)	7 W/ft	350 lm/ft
Low (LTG2)	5 W/ft	262 lm/ft
High (LTG3)	10 W/ft	500 lm/ft

Based on a 90CRI, 3500K luminaire using one driver. Custom outputs available; specify below.

ORDERING



1 - FIXTURE ID

U

2 - LENGTH

- 2 - 2 ft
- 4 - 4 ft
- 8 - 8 ft
- X'-X" - Specify Length (2" Increments)
- PAT - Pattern (Consult Factory)

3 - COLOR TEMP

- 27 - 2700K/90 CRI
- 30 - 3000K/90 CRI
- 35 - 3500K/90 CRI
- 40 - 4000K/90 CRI

4 - LED SYSTEM

- LTG1 - Standard
- LTG2 - Low
- LTG3 - High
- LTGC - Custom Output

5 - VOLTAGE

- UNV - Universal (120/277V)
 - 347V* - 347V
- *Must use DB Driver

6 - DRIVER (Remote)

- DB - Standard 1% Dimming (0-10V)
- DB.1% - 0.1% Dimming (0-10V)
- ELV-TRI - 2-wire 1% Dimming (120V only) ELV and TRIAC Compatible
- LDE1 - Hi-lume1% EcoSystem FadeToBlack
- DALI - DALI-2 Driver
- PoE - Power over Ethernet. Consult Factory for Compatibility
- PSQ - Lutron 1% Digital Tunable White

7 - FINISH

- W - White (Standard)
- BLK* - Black
- CC* - Custom Color (provide RAL#)

8 - MOUNTING

- AC - Air Craft Cable (50")

9 - OTHER OPTIONS

- 10W EM 120V - Emergency Pack (Remote)
- 10W EM 277V - Emergency Pack (Remote)
- EMCKT - Emergency Circuit

*White canopy provided. Must specify for other requests.

PATTERNS

Patterns feature illuminated corners and x-patterns. **Must consult factory..**



Square Patterns



X Patterns