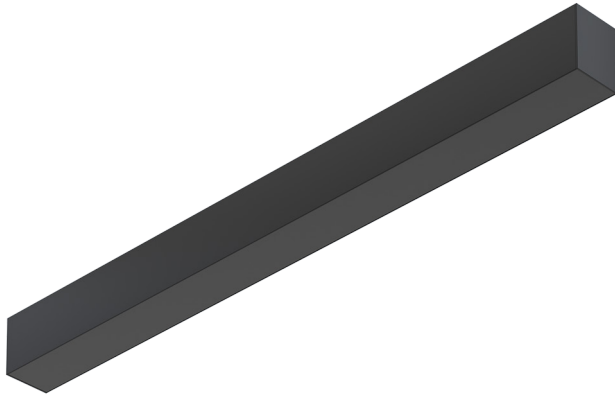


LS4 Black Optic direct

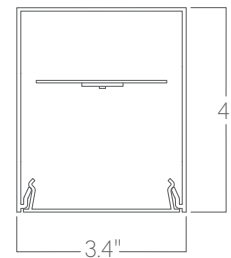


The Black Optic Series of architectural luminaires seamlessly blends into dark surroundings. Custom lengths and patterns are tailored to suit any modern space.

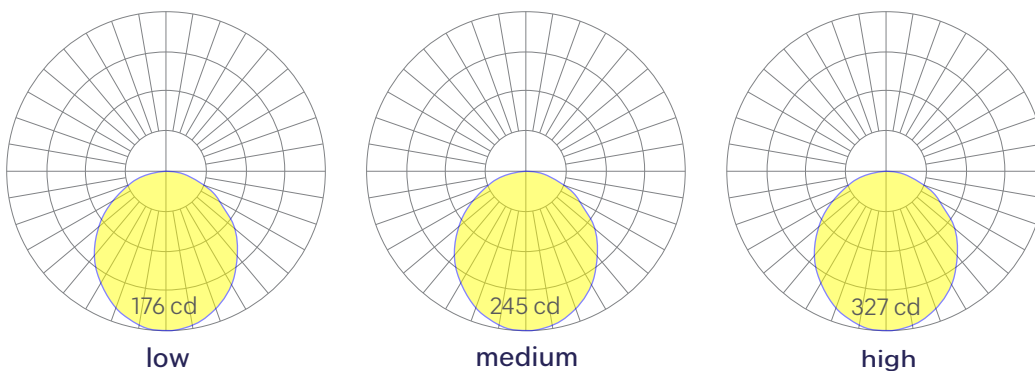
Features

- Extruded, recycled aluminum housing
- Aluminum core LED boards, specifiable output
- Specifiable color temperature. CRI > 90, R9 >50
- Custom lengths, welded patterns, and finishes available
- Integral specifiable dimmable drivers or PoE
- 5 Year, 50,000 hour warranty, damp location rated
- WELL Building Standard compatible [learn more](#)

Dimensions



Optics



Representative distribution and peak candela. For other options see order information or IES files [here](#).

LS4 Black Optic direct

Ordering Information



Example: LS4 BKO - 8 - 35 - LOW - UNV - DB - W - AC - BKO - CCS - DAYCKT - NA

| Fixture ID | 1 | Length | 2 | Color Temperature | 3 | Output | 4 |
|---|---|---|----|--|----|--|----|
| LS4 BKO | | 2 2 ft 4 4 ft 8 8 ft X'-X'' Specify Length ¹ PAT Pattern (Consult Factory) | | 27 2700K/90 CRI 30 3000K/90 CRI 35 3500K/90 CRI 40 4000K/90 CRI 50 5000K/90 CRI WD¹ Warm Dim 2200K-3000K TW² Tunable White 2700K-6500K RGBW30³ RGB +white, 3000k RGBW35³ RGB +white, 3500k RGBW40³ RGB +white, 4000k | | LOW Low output MED Medium output HIGH High output CUST Custom output ¹ | |
| | | ¹ Precision lengths may be specified to the nearest 1/8". All lengths are nominal unless specified to be exact. | | ¹ Must use WD10 driver. ² Must use TW10 or PSQ driver. ³ Must use remote DMX driver. "High" output not available. | | ¹ consult factory | |
| Voltage | 5 | Driver | 6 | Finish | 7 | Mounting | 8 |
| UNV 347V ¹ Universal (120/277V) 347V | | DB Standard 0-10V 1% DB.1% 0-10V 0.1% ELV² Reverse Phase 1% (120V only) TRI² Forward phase (120V only) LDE1 Lutron Digital EcoSystem DALI DALI-2 Driver PoE Power over ethernet. TW10 Dual channel, 0-10V for tunable white. WD10 0-10V Warm Dim PSQ Lutron T-Series 2-channel 1% for tunable white DMX¹ DMX512 | | W White BLK Black SLV Silver CC¹ Custom Color CWF¹ Custom Wood Finish | | AC Aircraft Cable (50") AC3.5 3.5" canopy + jbox adaptor ¹ ACPC Aircraft cable to Conduit Pipe Canopy SMHC Surface Mount, Hard ceiling SMTB Surface Mount, Tbar clip WM Wall Mount PS-X Pendant Stem (12", 18", 24", 36", 48") | |
| | | ¹ Set to default address 001. Contact us for other addressing needs. ² For compatible dimmers, click here . | | ¹ Custom Color. See finish options here . White SJ cord and canopy provided; for other requests, see section 12 to specify. | | ¹ Adaptor must be mudded-in. White stems and canopy provided unless otherwise specified in options (section 12). | |
| | | ¹ Must use DB Driver | | | | | |
| Optics | 9 | Sensors/Controls | 10 | Circuit | 11 | Options | 12 |
| BKO Black Optic | | NA None EIS Enlighted sensor WISM Wattstopper occupancy WISD Wattstopper daylight ACM Acuity nLight module only ACS Acuity nLight sensor ACA Acuity nLight air CCS Casambi module AWNRR Lutron Athena Wireless Node AWNS Lutron Athena Wireless Sensor | | NA None EMCKT Emergency Circuit DAYCKT Daylight Circuit | | STD White Canopy + White Cord CAN-X¹ Canopy + color SJ-X² SJ Cord + color | |
| | | Consult factory for more options, or click here . | | | | ¹ See finish options here . ² SJ Cord only available in White or Black. | |

Performance

| Output ¹ | Watts/ft | Lumens/ft | LPW |
|---------------------|----------|-----------|-----|
| Low | 5 | 119 | 24 |
| Medium | 7 | 165 | 23* |
| High | 10 | 220 | 22 |

¹Based on a typically configured 90 CRI, 3500K luminaire using one driver. Custom outputs available. Please consult factory.
For 4000K multiply by 1.05, for 3000K 0.96, for 2700K, 0.92.

*80 CRI equivalent 27 LPW

Technical Information



Click [here](#) or scan QR code

Wiring diagrams, PoE and sensor details

Modification date: July 2023

Page 2 of 4

LS4 Black Optic direct

Drivers & Electrical

Integral drivers* with 0-10V Dimming standard. Several other driver options available; see ordering information.

*DMX drivers are provided in remote enclosures.

Sensors & Controls

Sensors are installed on an aluminum plate adjacent to the luminaire lens. Coronet remains agnostic in our approach to sensors and control systems; our fixtures are compatible with most systems offered.

Emergency Back-Up

Emergency circuits for use with building generators available.

PoE (Power over Ethernet)

Compatible with virtually all PoE systems including Molex Coresync, Igor, Smartengine, Platformatics, and NuLED SPICEbox. Consult Factory for systems not listed, See [here](#) for more info.

Finishes

All luminaires are finished in high quality polyester powder coating. Our standard color is white. Any RAL color may be specified.

Weight

5 lbs per foot

Patterns

Featuring illuminated welded corners and angles. Consult factory for custom designs and elevations.

Optics

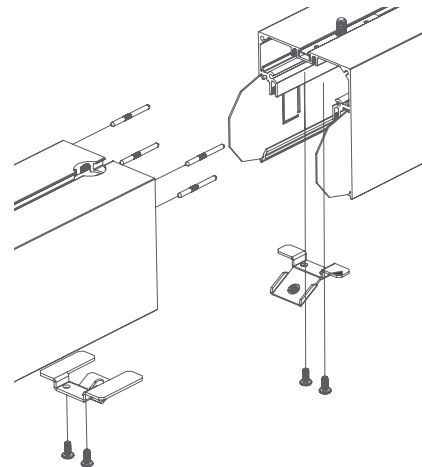
Room facing lens is black when unilluminated, seamlessly blending into dark environments. Uplight is available for some models.

Construction

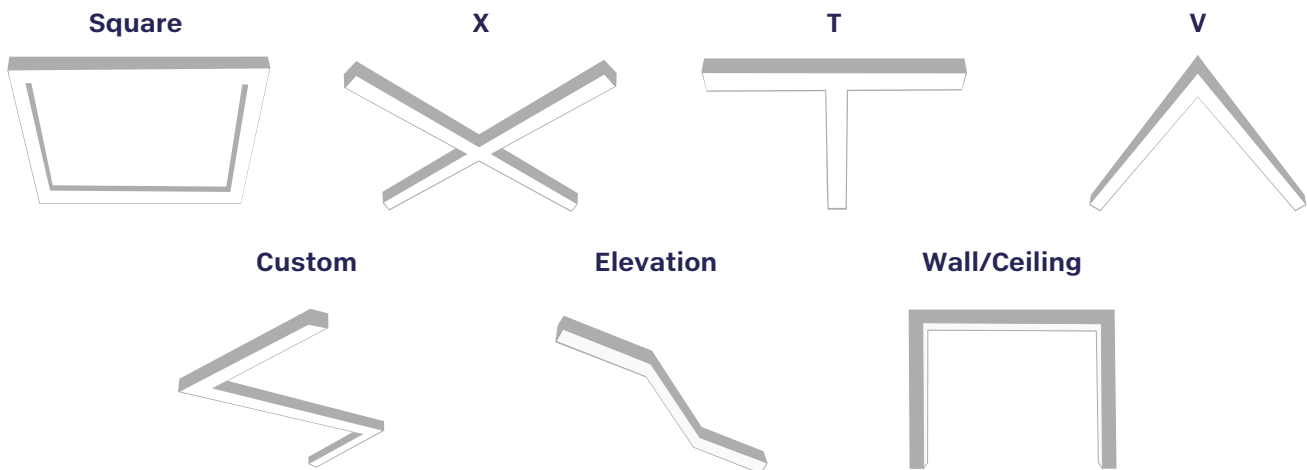
Housings are extruded premium, recycled aluminum. Individual fixtures are available up to 12' long and may be specified as nominal or precision lengths. Precision lengths are supplied within 1/8" tolerance.

Joined Runs

Runs of any length may be specified and are comprised of multiple, factory-engineered, joined sections. Individually specified luminaires are not field joinable.



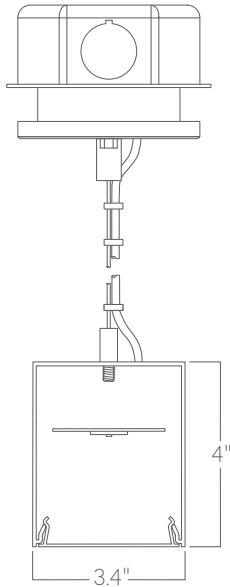
Representative joinery. For product specific details see installation guides or submittal drawings.



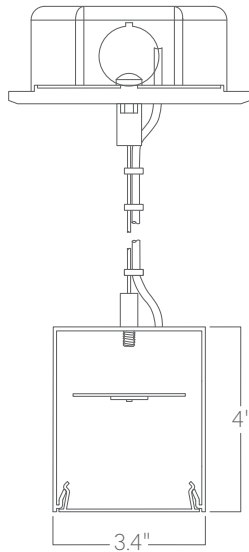
LS4 Black Optic direct

Mounting Options

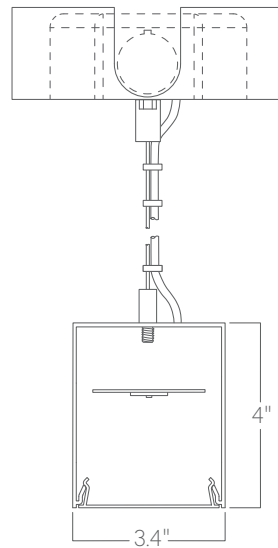
Custom mounting types and ceiling transitions available; consult factory.



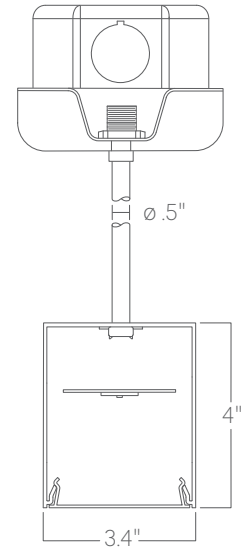
**Aircraft cable
3.5" canopy**



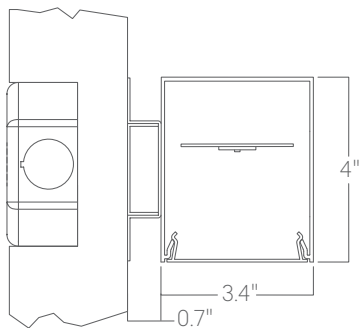
**Aircraft cable
5" canopy**



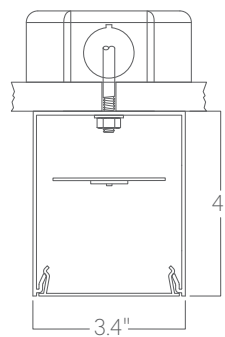
**Aircraft cable
Conduit canopy
with knockouts**



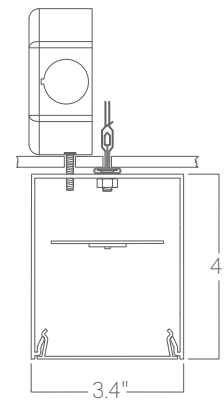
Pendant stem



Wall mount



**Surface mount
Hard Ceiling**



**Surface mount
T Bar clip**