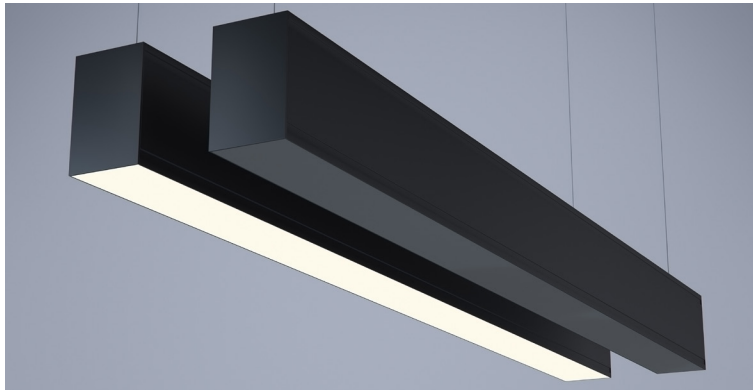


DATE	PROJECT	FIRM	TYPE
------	---------	------	------



Linear, architectural luminaire with specially formulated black optic that allows the unilluminated fixture to seamlessly blend in to dark environments and delivers full illumination when switched on. Suspended, surface or wall mounted installation. For custom mounting consult factory.

FEATURES

- Black to White Optic
- 100% Direct Lighting
- Available In Made To Measure Lengths Accurate Up To 1/16"
- Patterns Available (See Page 2)
- CRI 90+ Standard; R9>50
- 5 Year, 50,000 Hour Fixture Warranty
- 2700K, 3000K, 3500K, 4000K & 5000K Color Temperatures Available
- Available with PoE

APPLICATIONS Offices, Lobbies, Retail Stores, Restaurants, Reception Areas & Corridors

CONSTRUCTION Extruded Aluminum Housing with Die Cast Ends. Formed Steel Gear Tray

OPTICS Black to White 'Ink' Optic

WARRANTY 5 Year Limited Warranty (Covers Standard Components)

FINISH Standard Powder-Coated White. Custom RAL Colors Available

FIXTURE RATINGS & CERTIFICATIONS Union Made ETL Listed Made In The USA Damp Location Rated



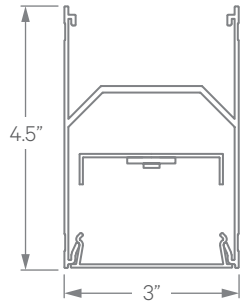
DRIVERS & SENSORS

For Wiring Diagrams and Sensor Information Click [Here](#)



ELECTRICAL Integral Driver with 0-10V Dimming Standard. Several Driver Options Available

EXTRUSION DIMENSIONS



ORDERING

1 - FIXTURE ID	2 - LENGTH	3 - COLOR TEMP	4 - LED SYSTEM	5 - VOLTAGE	6 - DRIVER
LS3 LED INK	2 - 2 ft 4 - 4 ft 8 - 8 ft X'-X" - Specify Length PAT - Pattern (Consult Factory)	27 - 2700K/90 CRI 30 - 3000K/90 CRI 35 - 3500K/90 CRI 40 - 4000K/90 CRI 50 - 5000K/90 CRI TW* - Tunable White *Must use DMX or TW10 Driver	LTG1 - Standard LTG2 - Low LTG3 - High LTGC - Custom Output	UNV - Universal (120/277V)	DB - Standard Dimming (0-10V) DB1% - 1% Dimming (0-10V) DB.1% - 0.1% Dimming (0-10V) LTEA - Lutron 2-wire 1% Dimming (120V only) LDE1 - Lutron Digital EcoSystem LDE5 - 5 Series EcoSystem; 5% Dimming PoE - Power over Ethernet. Consult Factory for Compatibility DMX - For Color Tuning and RGBW (Remote) TW10 - Dual Channel, 0-10V For Color Tuning (CCT and Intensity Control)

7 - FINISH	8 - MOUNTING	9 - CONTROL (Optional)	10 - OTHER OPTIONS
BLK* - Black (Standard) W* - White CC* - Custom Color (provide RAL#) *White cord and canopy provided. Must specify for other requests.	AC - Air Craft Cable (50") SM - Surface Mount WM - Wall Mount *For Perimeter Mount see LSR3 spec sheet.	EIS - Enlighted Sensor WISD - Wattstopper Daylight Sensor WISM - Wattstopper Occupancy Sensor SLS - SensiLUM Sensor ACS - Acuity Controls nLight System CCS - Casambi Compatible ECS - Eaton WaveLinx System *For other control systems not listed consult factory.	EM 120V - Emergency Pack EM 277V - Emergency Pack EMCKT - Emergency Circuit

DATE

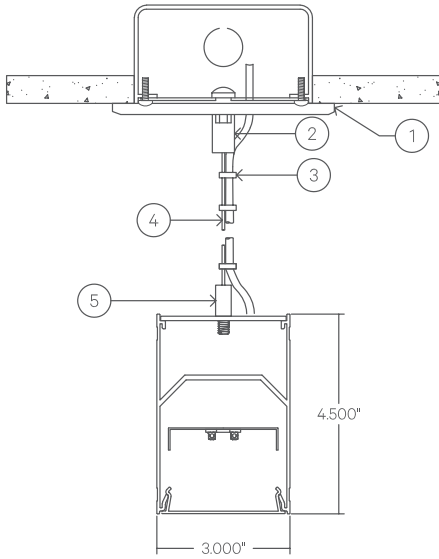
PROJECT

FIRM

TYPE

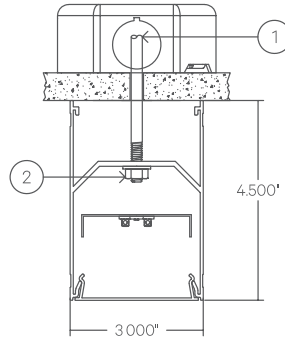
MOUNTING OPTIONS

AC - Air Craft Cable (50")



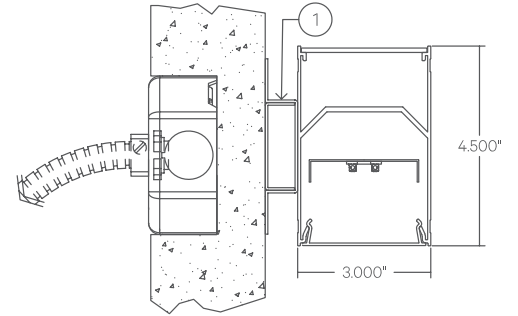
- 1 - 5" Round Canopy (Standard White Finish)
- 2 - Canopy Retainer
- 3 - SJT Cord (Standard White)
- 4 - Air Craft Cable
- 5 - Gripper

SM - Surface Mount



- 1 - Threaded Rod (not supplied)
- 2 - 1/4-20 Nut (not supplied)

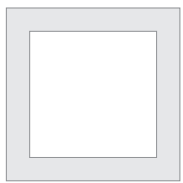
WM - Wall Mount



- 1 - 0.75" Wall Mount Bracket

PATTERNS

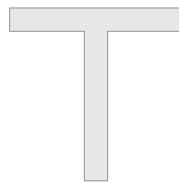
Patterns feature illuminated corners and angles. **Must consult factory for custom corners, patterns and elevations.**



Square Patterns



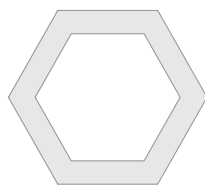
X Patterns



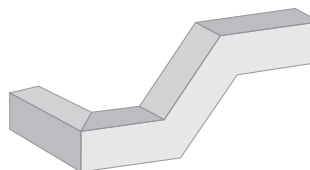
T Patterns



Custom Angles

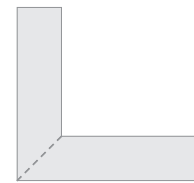


Custom Patterns



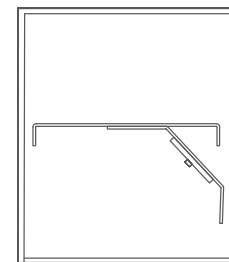
Custom Elevations

LENS CUT



Mitered

WALL WASH REFLECTOR



Cross Section