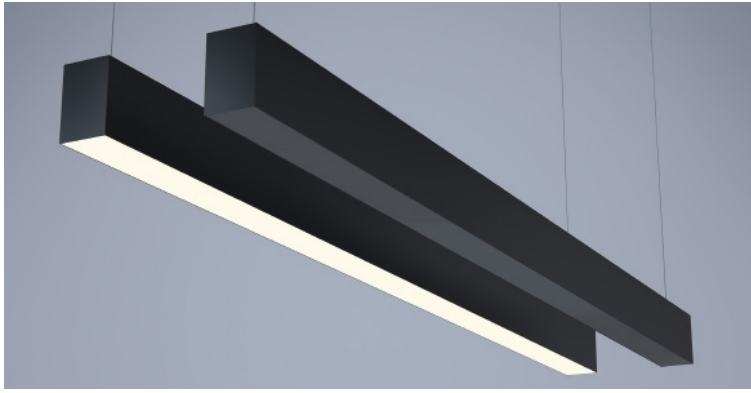


DATE \_\_\_\_\_ PROJECT \_\_\_\_\_ FIRM \_\_\_\_\_ TYPE \_\_\_\_\_



Narrow, linear luminaire with specially formulated **BLACK OPTIC** on the direct side that allows the unilluminated fixture to seamlessly blend in to dark environments.

### FEATURES

- **BLACK OPTIC**
- Direct/Indirect Lighting
- Patterns Available (See Page 2)
- CRI 90+ Standard; R9>50
- 5 Year, 50,000 Hour Fixture Warranty
- 2700K, 3000K, 3500K & 4000K Color Temperatures Available
- Available with PoE

**APPLICATIONS** Offices, Lobbies, Retail Stores, Restaurants, Reception Areas & Corridors

**CONSTRUCTION** Extruded Aluminum Housing with Die Cast Ends. Formed Steel Gear Tray | **OPTICS** **BLACK OPTIC** Direct, Opal White Film Indirect

**WARRANTY** 5 Year Limited Warranty (Covers Standard Components) | **FINISH** Standard Powder-Coated White. Custom RAL Colors Available

**FIXTURE RATINGS & CERTIFICATIONS** Union Made ETL Listed | Made In The USA Damp Location Rated



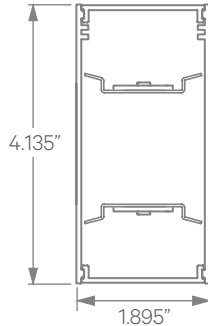
### DRIVERS & SENSORS

For Wiring Diagrams and Sensor Information Click [Here](#)



**ELECTRICAL** Integral Driver with 0-10V Dimming Standard. Several Driver Options Available

### EXTRUSION DIMENSIONS



### LED SYSTEM INFORMATION

	Nominal System Watts		Nominal Delivered Lumens	
	DIRECT	INDIRECT	DIRECT	INDIRECT
Standard (LTG1)	7 W/ft	7 W/ft	100 lm/ft	515 lm/ft
Low (LTG2)	5 W/ft	5 W/ft	75 lm/ft	380 lm/ft
High (LTG3)	9.5 W/ft	9.5 W/ft	125 lm/ft	700 lm/ft

Based on a 3500K luminaire using one driver. Custom outputs available; specify below.

### ORDERING

1 2 3 **IN -** **D -** 5 6 7 8 9

1 - FIXTURE ID	2 - LENGTH	3 - COLOR TEMP	4 - LED SYSTEM	5 - VOLTAGE	6 - DRIVER
LS1 UPDN BKO	4 - 4 ft 8 - 8 ft X'-X" - Specify Length (4" Increments) PAT - Pattern (Consult Factory)	27 - 2700K/90 CRI 30 - 3000K/90 CRI 35 - 3500K/90 CRI 40 - 4000K/90 CRI	<b>IN - INDIRECT</b> LTG1 - Standard LTG2 - Low LTG3 - High LTGC - Custom Output	<b>D - DIRECT</b> LTG1 - Standard LTG2 - Low LTG3 - High LTGC - Custom Output	<b>UNV</b> - Universal (120/277V) <b>DB</b> - Standard Dimming (0-10V) <b>DB1%</b> - 1% Dimming (0-10V) <b>DB.1%</b> - 0.1% Dimming (0-10V) <b>LTEA</b> - Lutron 2-wire 1% Dimming (120V only) <b>LDE1</b> - Lutron Digital EcoSystem <b>LDE5</b> - 5 Series EcoSystem; 5% Dimming <b>PoE</b> - Power over Ethernet. Consult Factory for Compatibility

7 - FINISH	8 - MOUNTING	9 - OTHER OPTIONS
<b>W</b> - White (Standard) <b>BLK*</b> - Black <b>CC*</b> - Custom Color (provide RAL number**) <b>CWF*</b> - Custom Wood Finish (provide color**)	<b>AC</b> - Air Craft Cable (50")	<b>DC</b> - Dual Circuit (Separate Up/Dn Control) <b>EM 120V</b> - Emergency Pack <b>EM 277V</b> - Emergency Pack <b>EMCKT</b> - Emergency Circuit

\*White cord and canopy provided. Must specify for other requests.  
\*\*(See [here](#) for finish options)

DATE

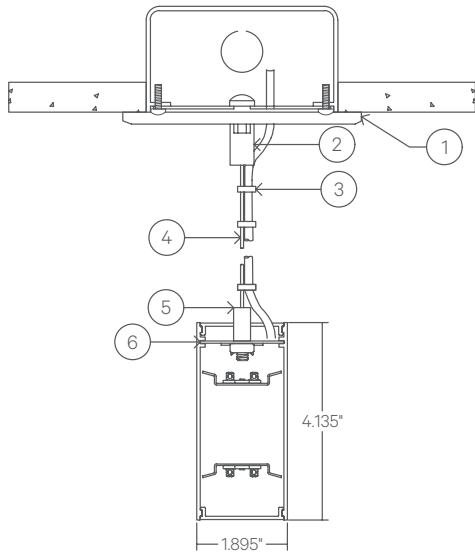
PROJECT

FIRM

TYPE

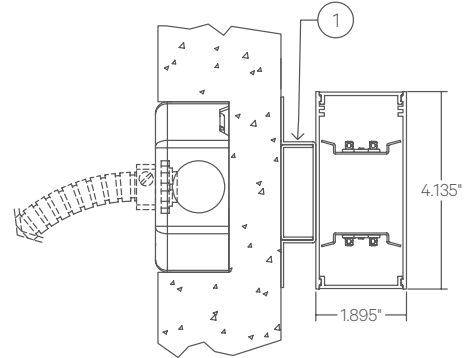
## MOUNTING OPTIONS

### AC - Air Craft Cable (50")



- 1 - 5" Round Canopy (Standard White Finish)
- 2 - Canopy Retainer
- 3 - S-JT Cord (Standard White)
- 4 - Air Craft Cable
- 5 - Gripper
- 6 - Hanging Bracket

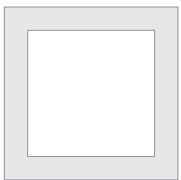
### WM - Wall Mount



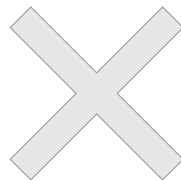
- 1 - 0.75" Wall Mount Bracket

## PATTERNS

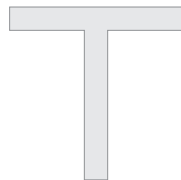
Patterns feature illuminated corners and angles. **Must consult factory for custom corners, patterns and elevations.**



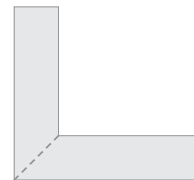
Square Patterns



X Patterns



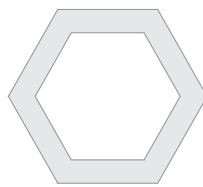
T Patterns



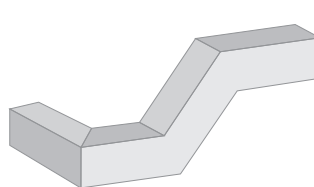
Mitered



Custom Angles



Custom Patterns



Custom Elevations

## LENS CUT