

# LS1 Black Optic direct

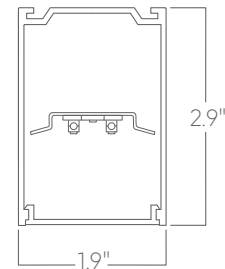


The Black Optic Series of architectural luminaires seamlessly blends into dark surroundings. Custom lengths and patterns are tailored to suit any modern space.

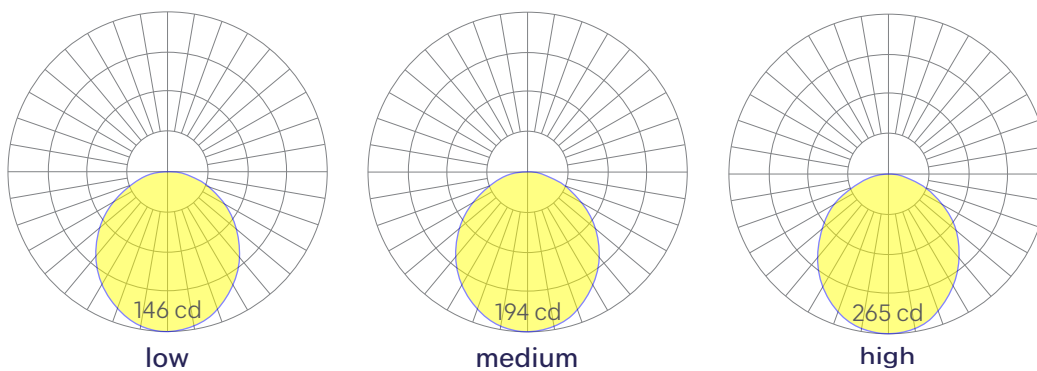
## Features

- Extruded, recycled aluminum housing
- Aluminum core LED boards, specifiable output
- Specifiable color temperature. CRI > 90, R9 >50
- Custom lengths, welded patterns, and finishes available
- Integral specifiable dimmable drivers or PoE
- 5 Year, 50,000 hour warranty, damp location rated
- WELL Building Standard compatible [learn more](#)

## Dimensions



## Optics



Representative distribution and peak candela. For other options see order information or IES files [here](#).

# LS1 Black Optic direct

## Ordering Information



Example: LS1 BKO - 8 - 35 - LOW - UNV - DB - W - AC - BKO - CCS - DAYCKT - NA

Fixture ID	1	Length	2	Color Temperature	3	Output	4
LS1 BKO		<b>2</b> 2 ft <b>4</b> 4 ft <b>8</b> 8 ft <b>X'-X''</b> Specify Length <sup>1</sup> <b>PAT</b> Pattern (Consult Factory)		<b>27</b> 2700K/90 CRI <b>30</b> 3000K/90 CRI <b>35</b> 3500K/90 CRI <b>40</b> 4000K/90 CRI <b>50</b> 5000K/90 CRI  <b>WD<sup>1</sup></b> Warm Dim 2200K–3000K <b>TW<sup>2</sup></b> Tunable White 2700K–6500K <b>RGBW30<sup>3</sup></b> RGB +white, 3000k <b>RGBW35<sup>3</sup></b> RGB +white, 3500k <b>RGBW40<sup>3</sup></b> RGB +white, 4000k		<b>LOW</b> Low output <b>MED</b> Medium output <b>HIGH</b> High output <b>CUST</b> Custom output <sup>1</sup>	
		<sup>1</sup> Precision lengths may be specified to the nearest 1/8". All lengths are nominal unless specified to be exact.		<sup>1</sup> Must use WD10 driver. <sup>2</sup> Must use TW10 or PSQ driver. <sup>3</sup> Must use remote DMX driver. "High" output not available.		<sup>1</sup> consult factory	
Voltage	5	Driver	6	Finish	7	Mounting	8
UNV 347V <sup>1</sup>	Universal (120/277V) 347V	<b>DB</b> Standard 0-10V 1% <b>DB.1%</b> 0-10V 0.1% <b>ELV<sup>2</sup></b> Reverse Phase 1% (120V only) <b>TRI<sup>2</sup></b> Forward phase (120V only) <b>LDE1</b> Lutron Digital EcoSystem <b>DALI</b> DALI-2 Driver <b>PoE</b> Power over ethernet. <b>TW10</b> Dual channel, 0-10V for tunable white. <b>WD10</b> 0-10V Warm Dim <b>PSQ</b> Lutron T-Series 2-channel 1% for tunable white <b>DMX<sup>1</sup></b> DMX512		<b>W</b> White <b>BLK</b> Black <b>SLV</b> Silver <b>CC<sup>1</sup></b> Custom Color <b>CWF<sup>1</sup></b> Custom Wood Finish		<b>AC</b> Aircraft Cable (50") <b>AC3.5</b> 3.5" canopy + jbox adaptor <sup>1</sup> <b>ACPC</b> Aircraft cable to Conduit Pipe Canopy <b>SMHC</b> Surface Mount, Hard ceiling <b>SMTB</b> Surface Mount, Tbar clip <b>WM</b> Wall Mount <b>PS-X</b> Pendant Stem (12", 18", 24", 36", 48")	
	<sup>1</sup> Must use DB Driver	<sup>1</sup> Set to default address 001. Contact us for other addressing needs. <sup>2</sup> For compatible dimmers, click <a href="#">here</a> .		<sup>1</sup> Custom Color. See finish options <a href="#">here</a> . White SJ cord and canopy provided; for other requests, see section 12 to specify.		<sup>1</sup> Adaptor must be mudded-in White stems and canopy provided unless otherwise specified in options (section 12).	
Optics	9	Sensors/Controls	10	Circuit	11	Options	12
BKO	Black Optic	<b>NA</b> None <b>EIS</b> Enlighted sensor <b>WISM</b> Wattstopper occupancy <b>WISD</b> Wattstopper daylight <b>ACM</b> Acuity nLight module only <b>ACS</b> Acuity nLight sensor <b>ACA</b> Acuity nLight air <b>CCS</b> Casambi module <b>AWNRR</b> Lutron Athena Wireless Node <b>AWNS</b> Lutron Athena Wireless Sensor		<b>NA</b> None <b>EMCKT</b> Emergency Circuit <b>DAYCKT</b> Daylight Circuit		<b>STD</b> White Canopy + White Cord <b>CAN-X<sup>1</sup></b> Canopy + color <b>SJ-X<sup>2</sup></b> SJ Cord + color	
		Consult factory for more options, or click <a href="#">here</a> .				<sup>1</sup> See finish options <a href="#">here</a> . <sup>2</sup> SJ Cord only available in White or Black.	

## Performance

Output <sup>1</sup>	Watts/ft	Lumens/ft	LPW
Low	5	98	20
Medium	7	130	19*
High	10	177	18

<sup>1</sup>Based on a typically configured 90 CRI, 3500K luminaire using one driver. Custom outputs available. Please consult factory.  
For 4000K multiply by 1.05, for 3000K 0.96, for 2700K, 0.92.

\*80 CRI equivalent 22 LPW

## Technical Information



Click [here](#) or scan QR code

Wiring diagrams, PoE and sensor details

Modification date: July 2023

Page 2 of 4

# LS1 Black Optic direct

## Drivers & Electrical

Integral drivers\* with 0-10V Dimming standard. Several other driver options available; see ordering information.

\*DMX drivers are provided in remote enclosures.

## Sensors & Controls

Sensors are installed on an aluminum plate adjacent to the luminaire lens. Coronet remains agnostic in our approach to sensors and control systems; our fixtures are compatible with most systems offered.

## Emergency Back-Up

Emergency circuits for use with building generators available.

## PoE (Power over Ethernet)

Compatible with virtually all PoE systems including Molex Coresync, Igor, Smartengine, Platformatics, and NuLED SPICEbox. Consult Factory for systems not listed, See [here](#) for more info.

## Finishes

All luminaires are finished in high quality polyester powder coating. Our standard color is white. Any RAL color may be specified.

## Weight

3 lbs per foot

## Patterns

Featuring illuminated welded corners and angles. Consult factory for custom designs and elevations.

## Optics

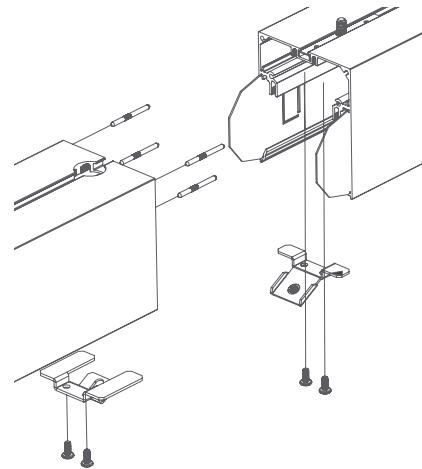
Room facing lens is black when unilluminated, seamlessly blending into dark environments. Uplight is available for some models.

## Construction

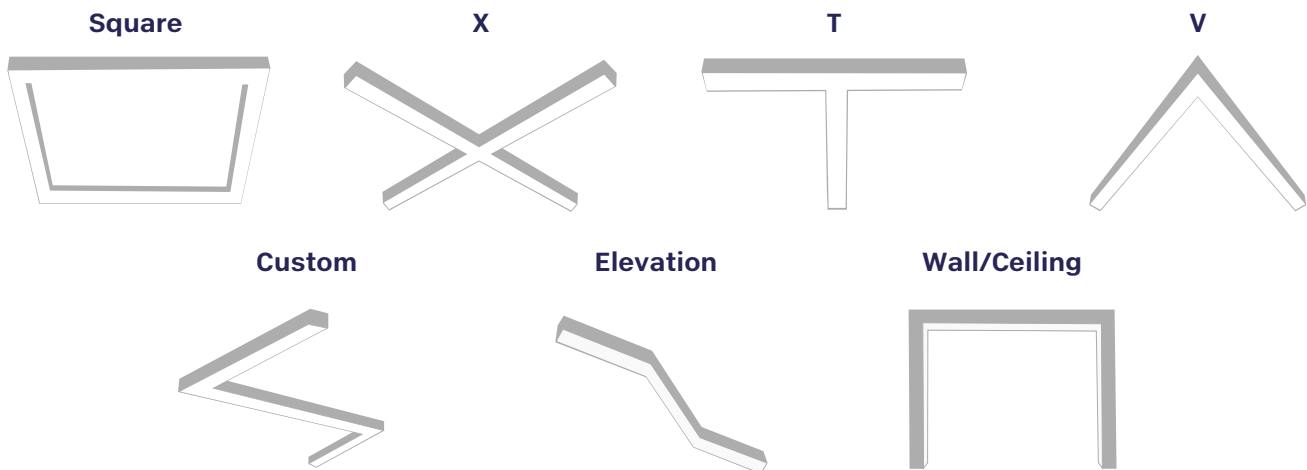
Housings are extruded premium, recycled aluminum. Individual fixtures are available up to 12' long and may be specified as nominal or precision lengths. Precision lengths are supplied within 1/8" tolerance.

## Joined Runs

Runs of any length may be specified and are comprised of multiple, factory-engineered, joined sections. Individually specified luminaires are not field joinable.



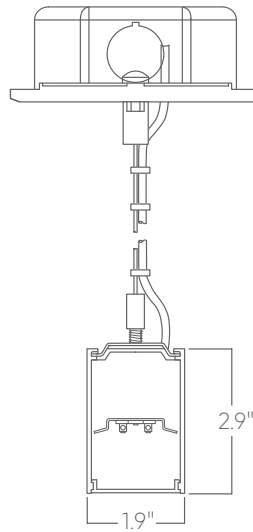
Representative joinery. For product specific details see installation guides or submittal drawings.



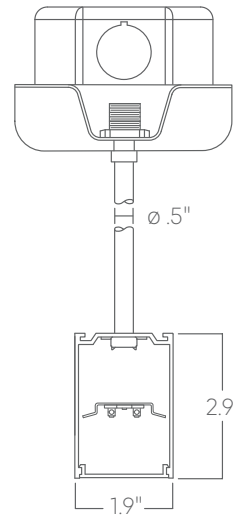
# LS1 Black Optic direct

## Mounting Options

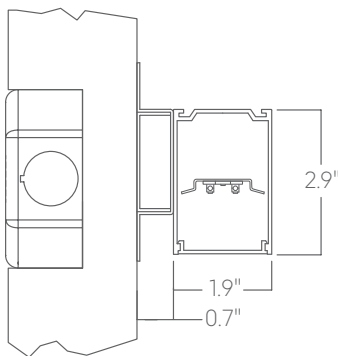
Custom mounting types and ceiling transitions available; consult factory.



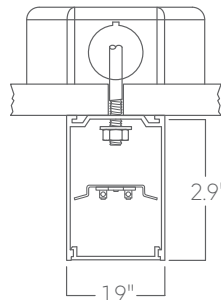
**Aircraft cable**



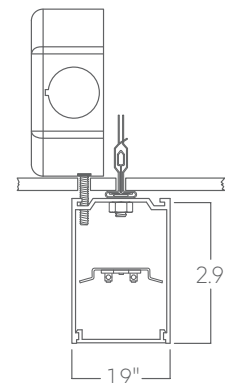
**Pendant stem**



**Wall mount**



**Surface mount  
Hard Ceiling**



**Surface mount  
T Bar Clip**