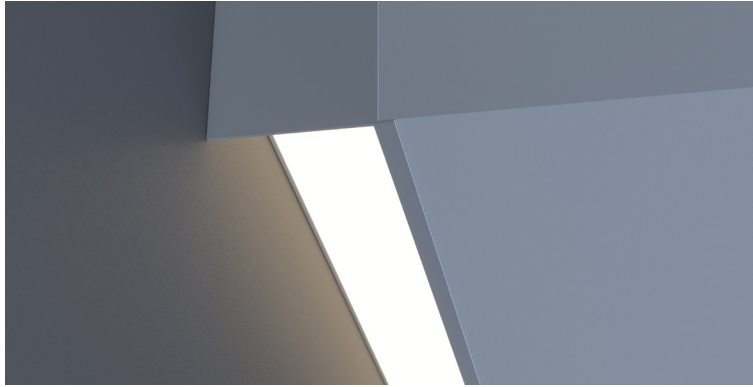


DATE	PROJECT	FIRM	TYPE
------	---------	------	------



LED wall grazer designed for perimeter lighting. Uses a special 15° x 15° optic for optimal light spread down the wall. Available with specifiable 1", 2", 3", or 4" regressed lens for distribution control.

### FEATURES

- Available In Made To Measure Lengths Accurate Up To 1/16"
- Damp Location Rated
- CRI 90+ Standard; R9>50
- 5 Year, 50,000 Hour Fixture Warranty
- 2700K, 3000K, 3500K & 4000K Color Temperatures Available
- Available with PoE

**APPLICATIONS** Offices, Lobbies, Retail Stores, Classrooms, Reception Areas & Corridors

**CONSTRUCTION** Extruded Aluminum Housing, Separate Adjustable Fascia to Control Light Distribution | **OPTICS** Acrylic Diffuse Lens

**WARRANTY** 5 Year Limited Warranty (Covers Standard Components) | **FINISH** Standard Powder-Coated White. Custom RAL Colors Available

**FIXTURE RATINGS & CERTIFICATIONS** Union Made ETL Listed | Made In The USA Damp Location Rated



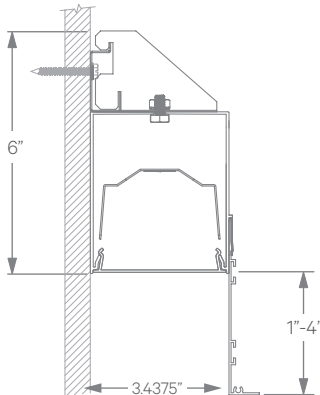
### DRIVERS & SENSORS



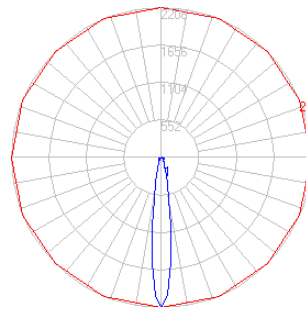
For Wiring Diagrams and Sensor Information Click [Here](#)

**ELECTRICAL** Integral Driver with 0-10V Dimming Standard. Several Driver Options Available

### EXTRUSION DIMENSIONS



### CANDELA DISTRIBUTION



### LED SYSTEM INFORMATION

	Nominal System Watts	Nominal Delivered Lumens
Standard (LTG1)	5.75 W/ft	632 lm/ft
Low (LTG2)	3 W/ft	345 lm/ft
High (LTG3)	7.5 W/ft	788 lm/ft

Based on a 3500K luminaire using one driver. Custom outputs available; specify below.

## ORDERING

1 - FIXTURE ID	2 - LENGTH	3 - COLOR TEMP	4 - LED SYSTEM	5 - VOLTAGE	6 - DRIVER
FLAWLESS LED	4 - 4 ft 8 - 8 ft X'-X" - Specify Length	27 - 2700K/90 CRI 30 - 3000K/90 CRI 35 - 3500K/90 CRI 40 - 4000K/90 CRI	LTG1 - Standard LTG2 - Low LTG3 - High LTGC - Custom Output	UNV - Universal (120/277V)	DB - Standard Dimming (0-10V) DB1% - 1% Dimming (0-10V) DB.1% - 0.1% Dimming (0-10V) LTEA - Lutron 2-wire 1% Dimming (120V only) LDE1 - Lutron Digital EcoSystem LDE5 - 5 Series EcoSystem; 5% Dimming PoE - Power over Ethernet. Consult Factory for Compatibility
7 - FINISH	8 - MOUNTING	9 - REGRESS			
W - White (Standard) CC - Custom Color (provide RAL#)	T - 9/16" Tee Grid NT - Spackle Flange	1" 2" 3" 4"			