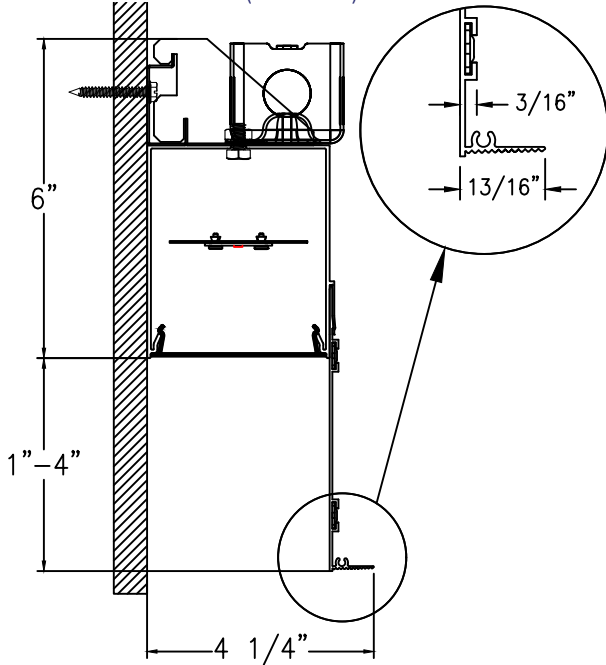


## INSTALLATION GUIDE-PERIMETER

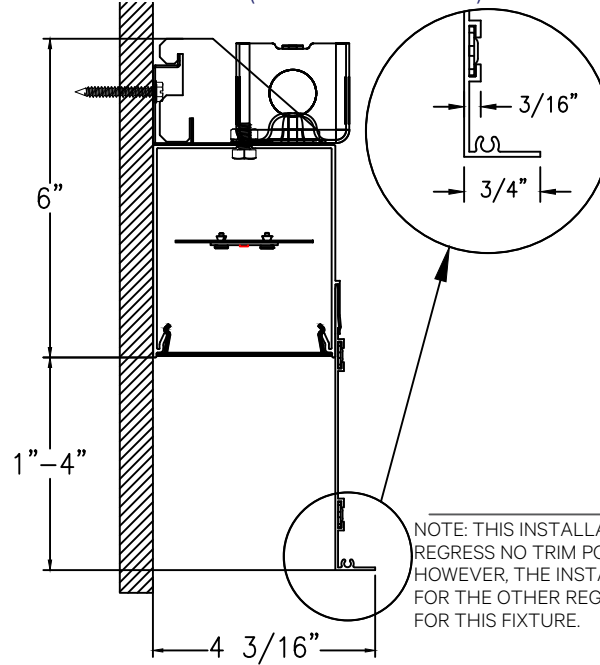


Risk of fire and electrical shock. In accordance with national local building and electrical codes, CORONET lighting fixtures must be installed by a qualified electrician. Disconnect power at electrical panel before servicing.

### CROSS SECTION VIEW (NO TRIM)



### CROSS SECTION VIEW (FLANGE FOR T-GRID)

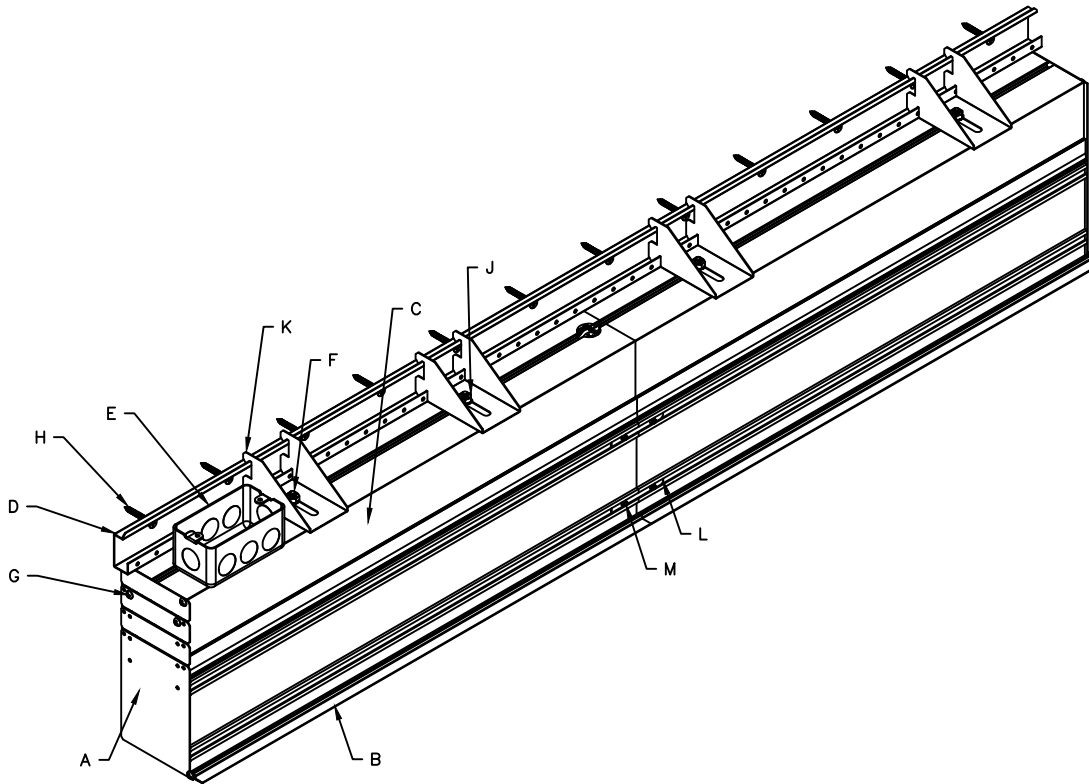


### PART LIST

- A-End Plate
- B-Auxiliary Extrusion
- C-Extrusion
- D-Mounting Channel
- E-Wiring Box
- F-1/4-20 Hex Bolt
- G-8-32 Screw
- H-Drywall Screw (By Others)
- J-1/4-20 Nut
- K-Mounting Bracket
- L-Aligner Bracker
- M-6-32 Set Screw

NOTE: THIS INSTALLATION GUIDE SHOWS A 4" REGRESS NO TRIM PG4/FLAWLESS FIXTURE. HOWEVER, THE INSTALLATION REMAINS THE SAME FOR THE OTHER REGRESS AND MOUNTING OPTIONS FOR THIS FIXTURE.

### ISOMETRIC VIEW



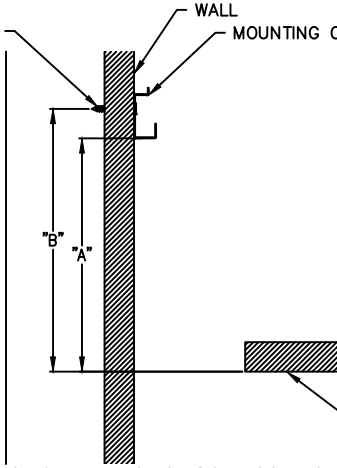
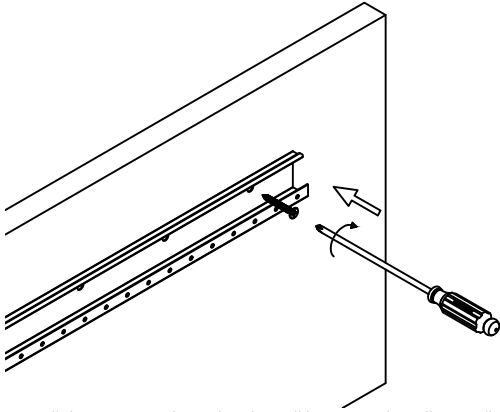
INDIVIDUAL FIXTURES ARE NOT INTENDED FOR CONTINUOUS RUNS.  
ADDITIONAL SUPPORTS TO THE STRUCTURE MAY BE REQUIRED.  
\*CHECK WITH YOUR LOCAL BUILDING CODE FOR THOSE REQUIREMENTS.



Risk of fire and electrical shock. In accordance with national local building and electrical codes, CORONET lighting fixtures must be installed by a qualified electrician. Disconnect power at electrical panel before servicing.

1

DRYWALL SCREW (BY OTHERS) WALL MOUNTING CHANNEL

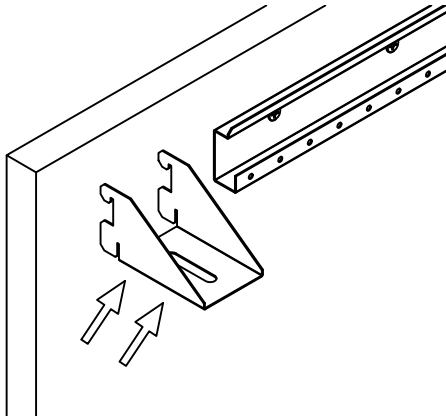


REGRESS HEIGHT	"A"	"B"
1"	4 15/16"	5 15/16"
2"	5 15/16"	6 15/16"
3"	6 15/16"	7 15/16"
4"	7 15/16"	8 15/16"

Install the mounting channel to the wall by using a drywall screw (by others). Mounting height of channel depends upon regress as specified on order. Use "TABLE 1" to the right For mounting height dimensions.

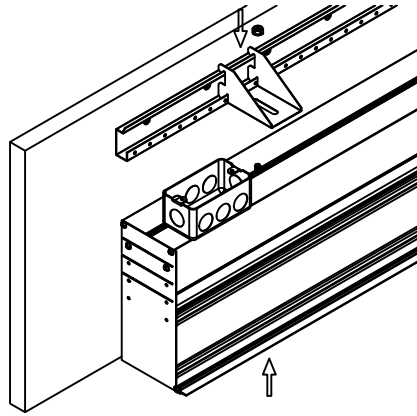
NOTE: WE RECOMMEND THAT THE FIXTURE BE INSTALLED BEFORE THE CEILING IS ESPECIALLY IF IT IS SHEET ROCK.

2



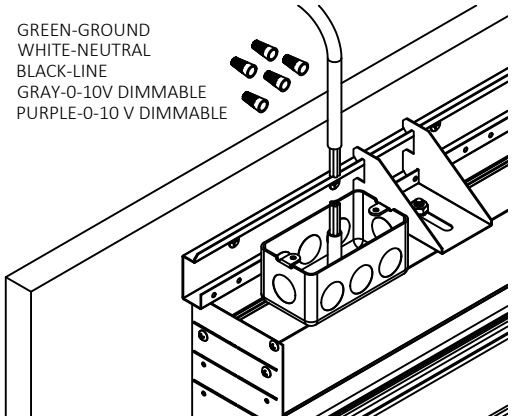
Slide the mounting support bracket onto the mounting channel. Refer to the submittal drawings for it's location on the channel in relation to the fixture.

3



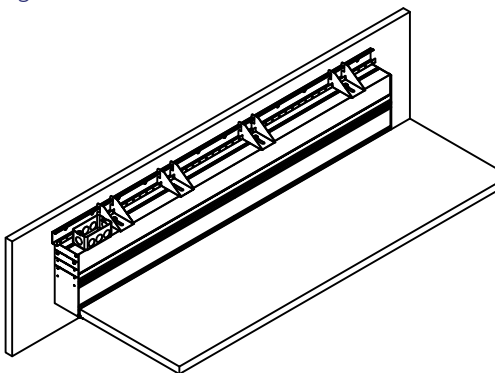
Lift the fixture into position and slide the 1/4-20 hex bolt into the holes of the mounting bracket. Use the provided 1/4-20 nuts to secure the fixture in place.

4



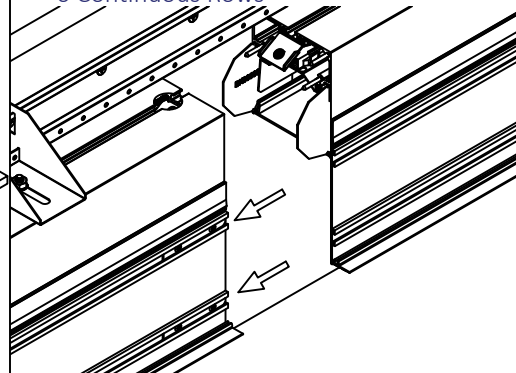
With the power off to the fixture, connect the fixture power cord to the power feed. (Wire connectors by others)

5



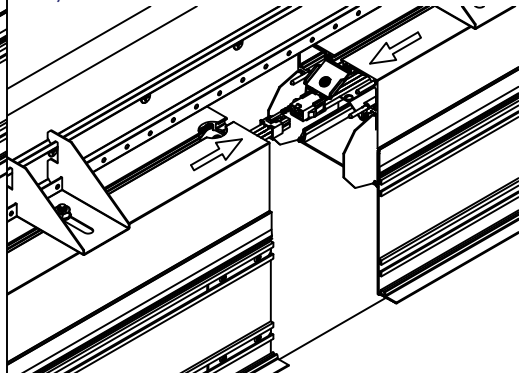
Power on the fixture to determine if it operates properly. Now the ceiling is ready to be installed.

6 Continuous Rows



Slide the aligner brackets back to allow easier connection of the two fixtures.

7

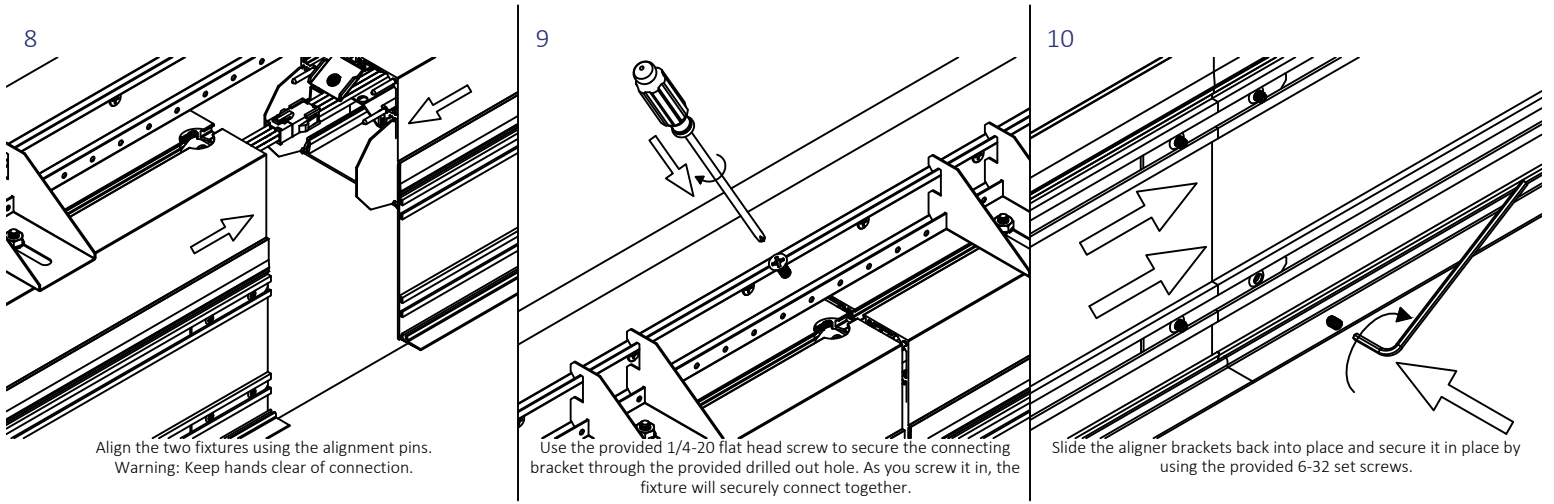


Before connecting the two fixtures, connect the wiring harness.

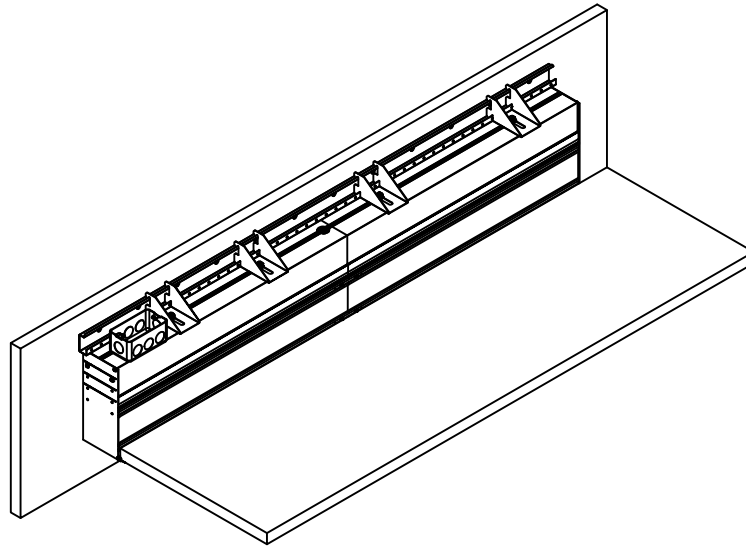
INDIVIDUAL FIXTURES ARE NOT INTENDED FOR CONTINUOUS RUNS. ADDITIONAL SUPPORTS TO THE STRUCTURE MAY BE REQUIRED. \*CHECK WITH YOUR LOCAL BUILDING CODE FOR THOSE REQUIREMENTS.



Risk of fire and electrical shock. In accordance with national local building and electrical codes, CORONET lighting fixtures must be installed by a qualified electrician. Disconnect power at electrical panel before servicing.



11



Repeat steps 4 & 5 to finish installing your fixture. Check that your fixture operates properly after connecting them.

**GENERAL INSTALLATION CONSIDERATIONS - See submittal drawings for job specific data.**

Operating Temperature.....-40°C to 50°C  
 Operating Voltage.....110VAC-277VAC, 50Hz-60Hz  
 Weight.....lb/ft  
 Dimensions.....See submittal drawings

- Installation by a certified electrician only.
- Read and understand the installation instructions before attempting to install or use the fixture.
- Only use fixtures with voltage for which it is rated. Do not exceed the specified voltage and current input.
- Do not use the fixture if the housing, lens, or power cable is damaged.
- Ensure that the main power supply is off before installing or wiring the fixture.
- Method of wire connection to be determined by local electrical codes and regulations.
- The external flexible cable of this luminaire cannot be field replaced; if the cord is damaged, contact Coronet.
- The light source contained in this luminaire shall only be replaced by the lighting manufacturer or his service agent or a similar qualified person.

Please contact our technical support team for assistance.

INDIVIDUAL FIXTURES ARE NOT INTENDED FOR CONTINUOUS RUNS.  
 ADDITIONAL SUPPORTS TO THE STRUCTURE MAY BE REQUIRED.  
 \*CHECK WITH YOUR LOCAL BUILDING CODE FOR THOSE REQUIREMENTS.