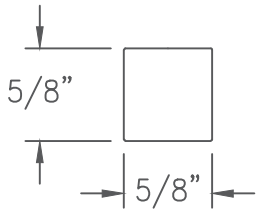


INSTALLATION GUIDE-SURFACE MOUNT

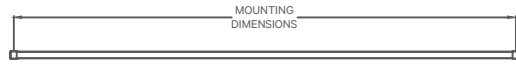


Risk of fire and electrical shock. In accordance with national local building and electrical codes, CORONET lighting fixtures must be installed by a qualified electrician. Disconnect power at electrical panel before servicing.

CROSS SECTION VIEW



SIDE VIEW

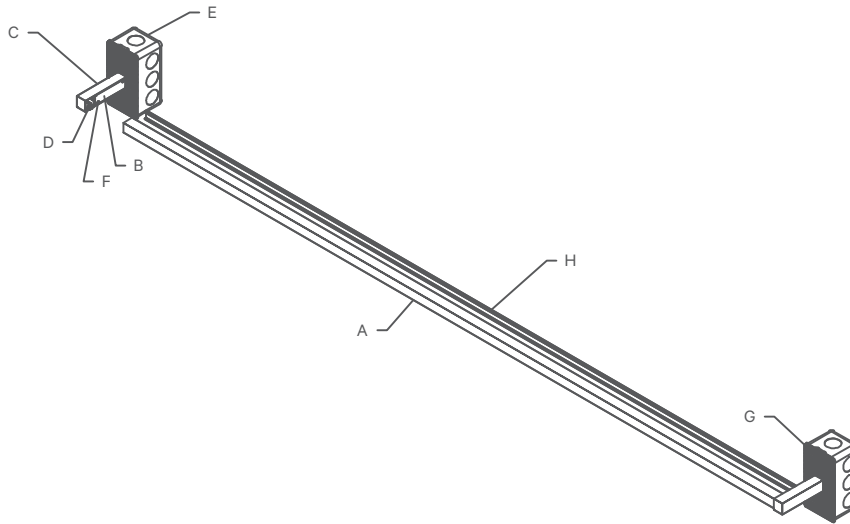


PLEASE CONSULT FACTORY SHOP DRAWINGS FOR MOUNTING POINTS

PART LIST

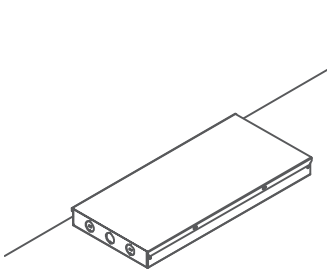
- A-Extrusion
- B-Wire Cover
- C-Wall Mount Bracket
- D-Spring Pin
- E-2" Junction Box (Not Supplied)
- F-#2-56 Screw
- G-#8-32 Screw (Not Supplied)
- H-Lens

EXPLODED CONNECTION DETAIL



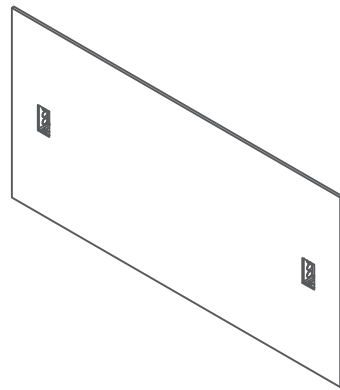
EXPLODED VIEWS ARE TO SHOW DETAIL ONLY, FIXTURES ARE SHIPPED PRE-ASSEMBLED.

1



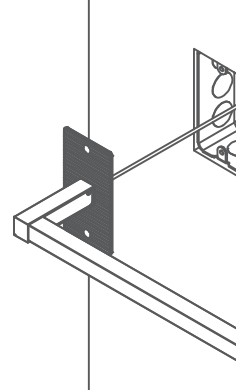
Mount remote driver near access panel

2



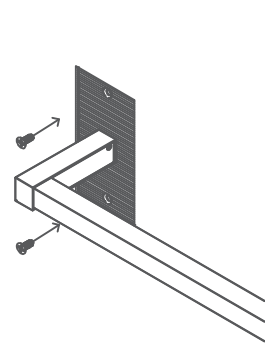
Mount 2" junction boxes (not supplied). Distances shown on factory drawings

3



Run plenum rated wire (provided with fixture) through the junction box to remote driver location

4



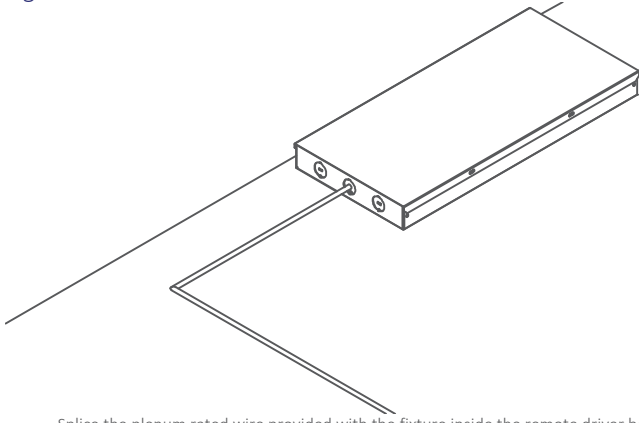
Mount the fixture to the junction box using #8-32 flat head screws (not supplied)

\*\*GC/EC TO PROVIDE BLOCKING AND ADDITIONAL SUPPORT AS REQUIRED TO SECURELY SUPPORT FIXTURE PER LOCAL CODE\*\*



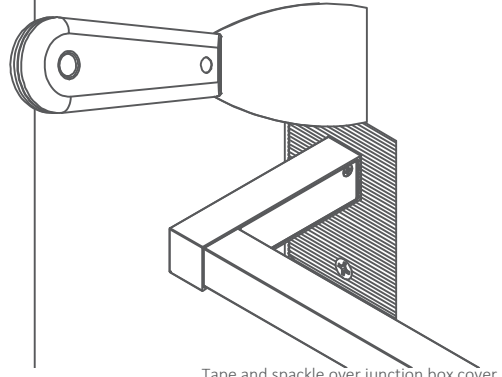
Risk of fire and electrical shock. In accordance with national local building and electrical codes, CORONET lighting fixtures must be installed by a qualified electrician. Disconnect power at electrical panel before servicing.

5



Splice the plenum rated wire provided with the fixture inside the remote driver box. (Remote driver distance no longer than 30 feet away from the fixture)

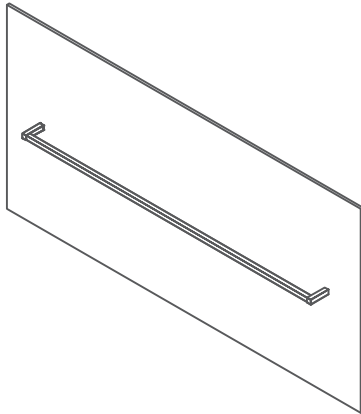
6



Tape and spackle over junction box cover.

**\*\*NOTE: ENSURE FIXTURE IS IN WORKING CONDITION BEFORE SPACKLING OVER JUNCTION BOX COVER\*\***

7



**GENERAL INSTALLATION CONSIDERATIONS - See submittal drawings for job specific data.**

Operating Temperature.....	-20°C to 50°C
Operating Voltage.....	110VAC-277VAC, 50Hz-60Hz
Weight.....	1.8 lb/ft
Dimensions.....	See submittal drawings

- Installation by a certified electrician only.
- Read and understand the installation instructions before attempting to install or use the fixture.
- Only use fixtures with voltage for which it is rated. Do not exceed the specified voltage and current input.
- Do not use the fixture if the housing, lens, or power cable is damaged.
- Ensure that the main power supply is off before installing or wiring the fixture.
- Method of wire connection to be determined by local electrical codes and regulations.
- The external flexible cable of this luminaire cannot be field replaced; if the cord is damaged, contact Coronet.
- The light source contained in this luminaire shall only be replaced by the lighting manufacturer or his service agent or a similar qualified person.

Please contact our technical support team for assistance.