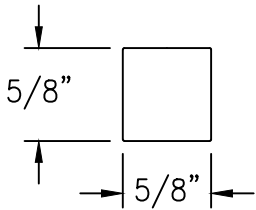


INSTALLATION GUIDE-WALL MOUNT

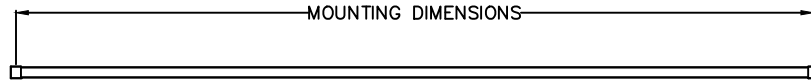


Risk of fire and electrical shock. In accordance with national local building and electrical codes, CORONET lighting fixtures must be installed by a qualified electrician. Disconnect power at electrical panel before servicing.

CROSS SECTION VIEW



SIDE VIEW

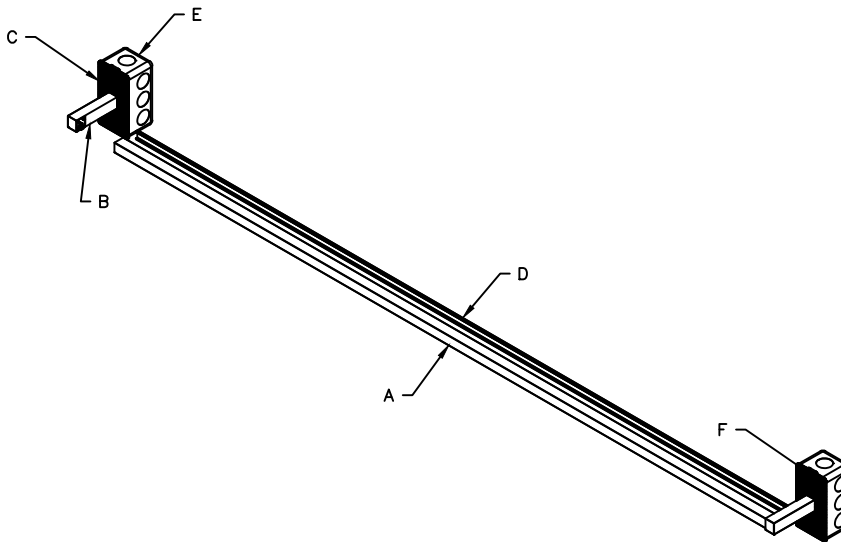


PLEASE CONSULT FACTORY SHOP DRAWINGS FOR MOUNTING POINTS.

PART LIST

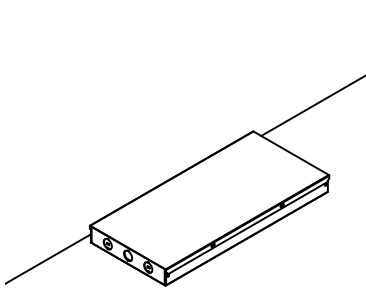
- A-Extrusion
- B-Fixture Mount
- C-Wall Mount Bracket
- D-Lens
- E-2" Junction Box (Not Supplied)
- F-#8-32 Screw (Not Supplied)
- G-Building Power

EXPLODED CONNECTION DETAIL



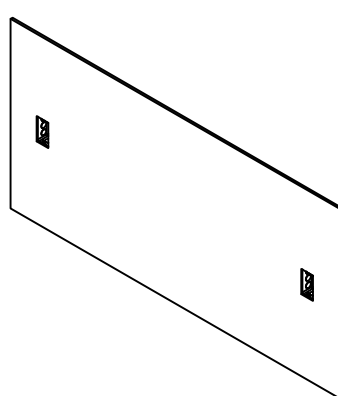
EXPLODED VIEWS ARE TO SHOW DETAIL ONLY, FIXTURES ARE SHIPPED PRE-ASSEMBLED.

1



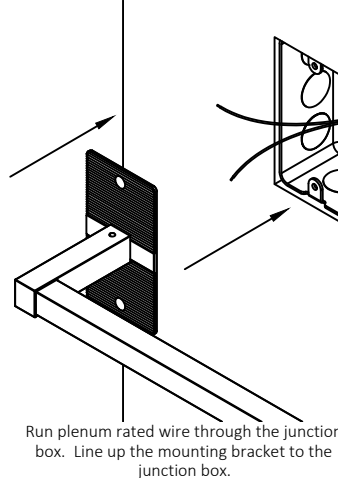
Mount remote driver near access panel.
(Remote driver distance no longer than 30 feet away from the fixture)

2



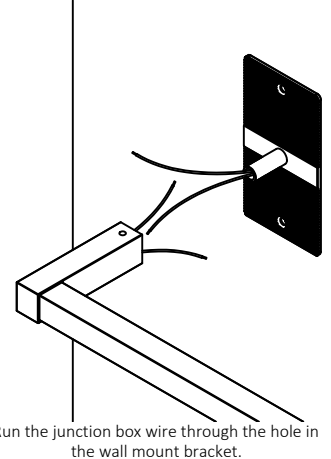
Mount 2" junction boxes (not supplied).
Refer to factory drawings for mounting locations.

3



Run plenum rated wire through the junction box. Line up the mounting bracket to the junction box.

4



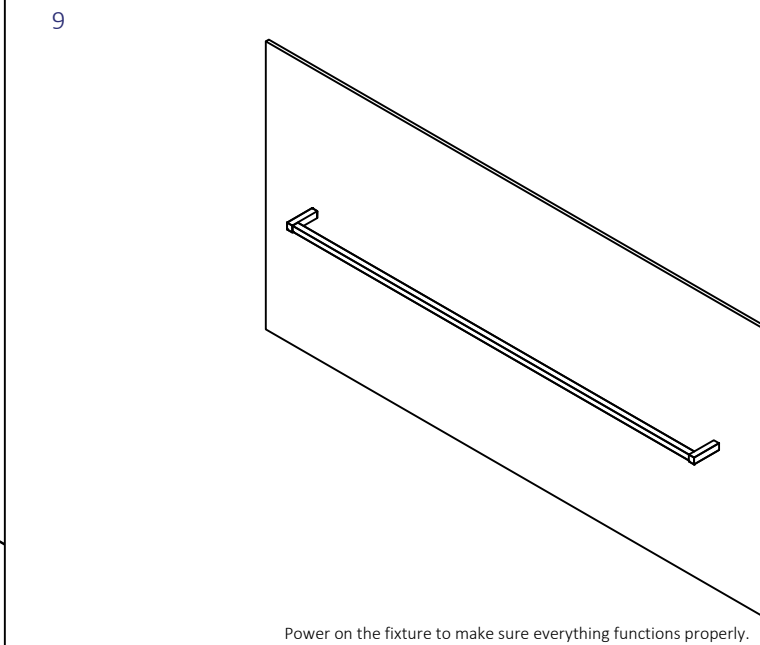
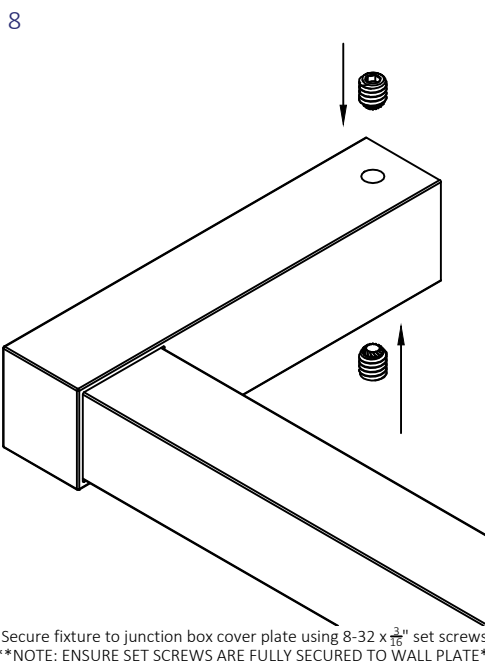
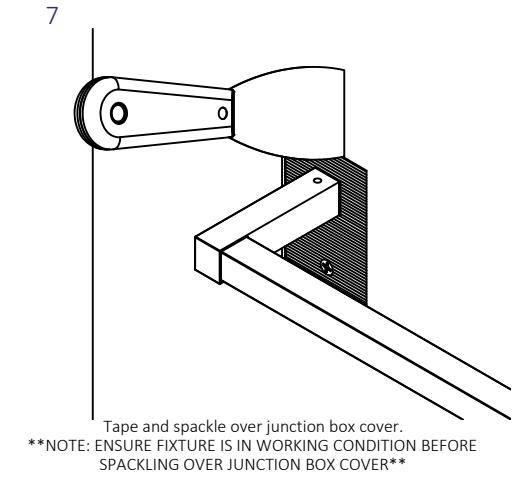
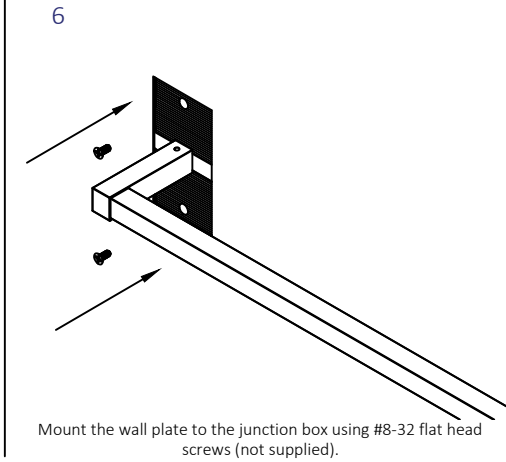
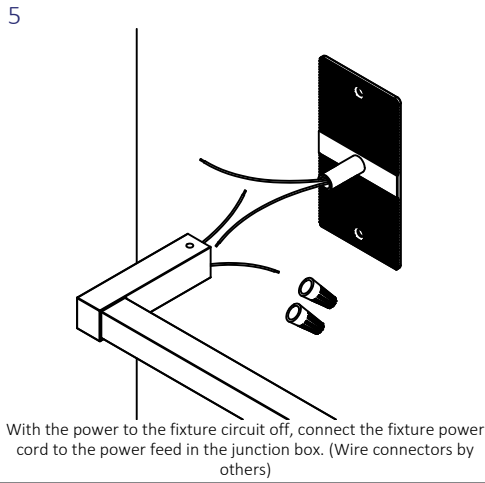
Run the junction box wire through the hole in the wall mount bracket.

****GC/EC TO PROVIDE BLOCKING AND ADDITIONAL SUPPORT AS REQUIRED TO SECURELY SUPPORT FIXTURE PER LOCAL CODE****

INSTALLATION GUIDE-WALL MOUNT



Risk of fire and electrical shock. In accordance with national local building and electrical codes, CORONET lighting fixtures must be installed by a qualified electrician. Disconnect power at electrical panel before servicing.



GENERAL INSTALLATION CONSIDERATIONS - See submittal drawings for job specific data.

Operating Temperature.....-20°C to 50°C
 Operating Voltage.....110VAC-277VAC, 50Hz-60Hz
 Weight.....1.8 lb/ft
 Dimensions.....See submittal drawings

- Installation by a certified electrician only.
- Read and understand the installation instructions before attempting to install or use the fixture.
- Only use fixtures with voltage for which it is rated. Do not exceed the specified voltage and current input.
- Do not use the fixture if the housing, lens, or power cable is damaged.
- Ensure that the main power supply is off before installing or wiring the fixture.
- Method of wire connection to be determined by local electrical codes and regulations.
- The external flexible cable of this luminaire cannot be field replaced; if the cord is damaged, contact Coronet.
- The light source contained in this luminaire shall only be replaced by the lighting manufacturer or his service agent or a similar qualified person.

Please contact our technical support team for assistance.