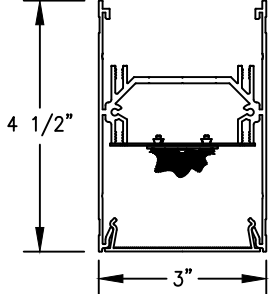


### INSTALLATION GUIDE-WALL MOUNT

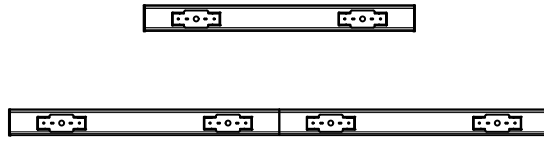


Risk of fire and electrical shock. In accordance with national local building and electrical codes, CORONET lighting fixtures must be installed by a qualified electrician. Disconnect power at electrical panel before servicing.

#### CROSS SECTION VIEW



#### SIDE VIEW

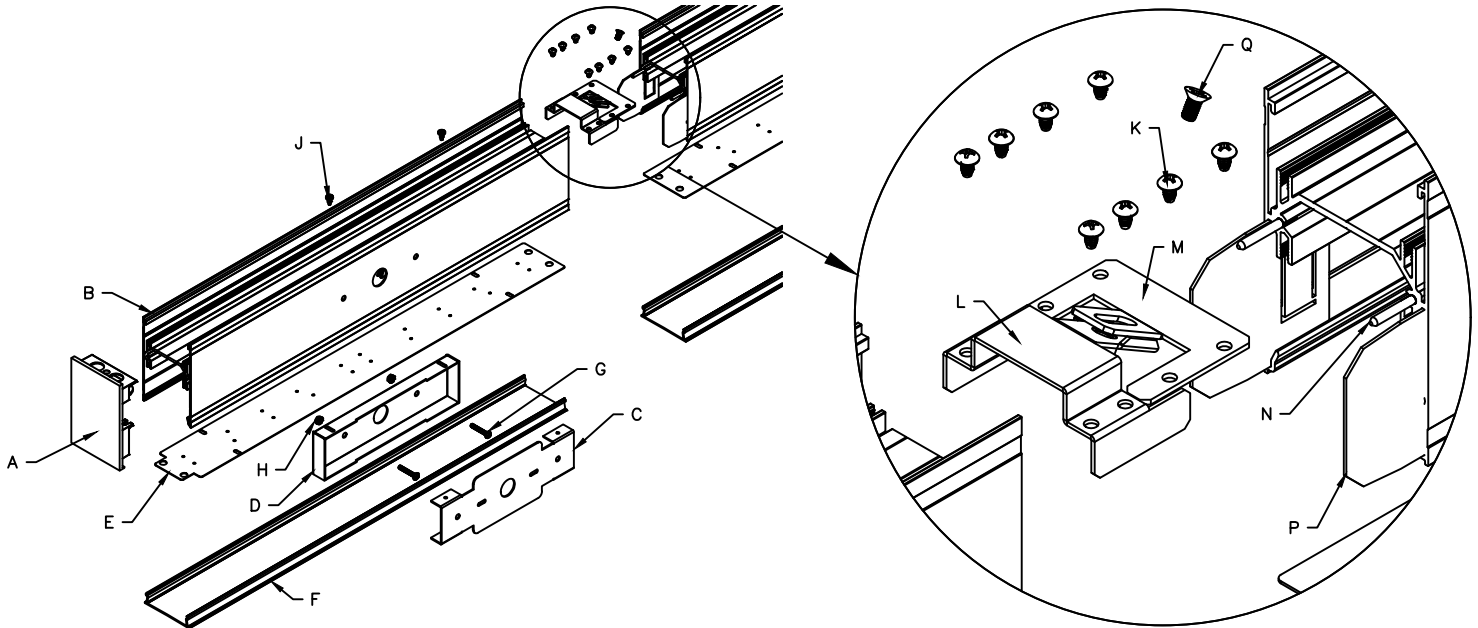


PLEASE CONSULT FACTORY SHOP DRAWINGS FOR MOUNTING POINTS

#### PART LIST

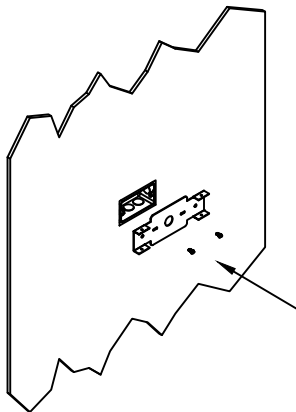
- |                                  |                             |
|----------------------------------|-----------------------------|
| A-End Plate                      | J-#8 Drilling Screw         |
| B-Extrusion                      | K-8-32 Screw                |
| C-Wall Mount Bracket for Wall    | L-Female Connecting Bracket |
| D-Wall Mount Bracket for Fixture | M-Male Connecting Bracket   |
| E-LED Tray                       | N-Alignment Pin             |
| F-Lens                           | P-Aligner Bracket           |
| G-1/4-20 Screw                   | Q-Flat Head Screw           |
| H-1/4-20 Nut                     |                             |

#### EXPLODED CONNECTION DETAIL



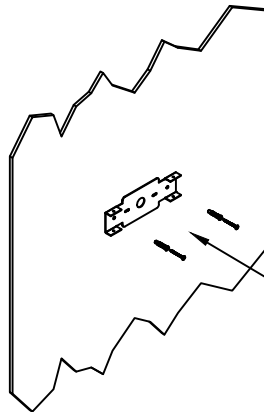
EXPLODED VIEWS ARE TO SHOW DETAIL ONLY, FIXTURES ARE SHIPPED PRE-ASSEMBLED.

#### 1 Option 1



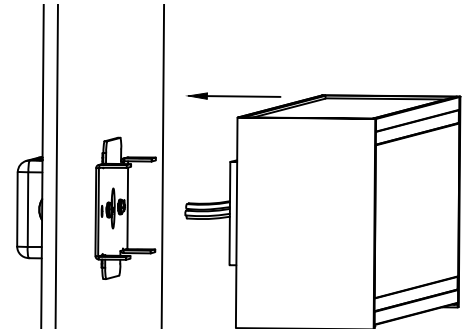
For a switch box that isn't offset from the wall, secure the wall bracket to the switch box with screws (hardware by others).

#### 2 Option 2



If the switch box is offset from the wall, secure the wall bracket to the wall with support anchors (hardware by others).

#### 3



Before connecting the fixture to the wall, run the wires from the fixture to and through the switch box.

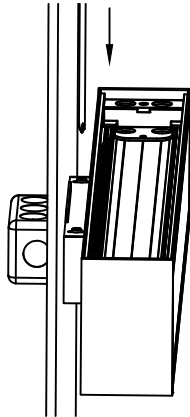
INDIVIDUAL FIXTURES ARE NOT INTENDED FOR CONTINUOUS RUNS.  
ADDITIONAL SUPPORTS TO THE STRUCTURE MAY BE REQUIRED.  
\*CHECK WITH YOUR LOCAL BUILDING CODE FOR THOSE REQUIREMENTS

### INSTALLATION GUIDE-WALL MOUNT



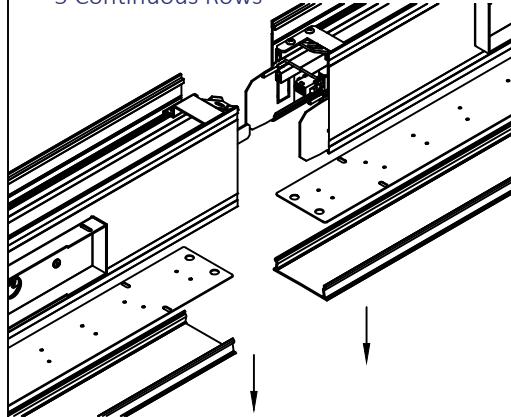
Risk of fire and electrical shock. In accordance with national local building and electrical codes, CORONET lighting fixtures must be installed by a qualified electrician. Disconnect power at electrical panel before servicing.

4



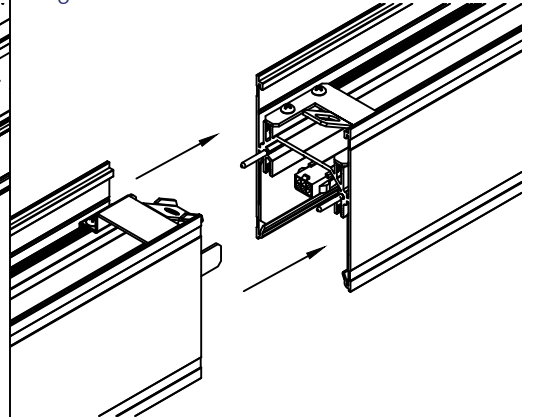
Secure the two wall brackets together with the provided #8 drilling screws.

5 Continuous Rows



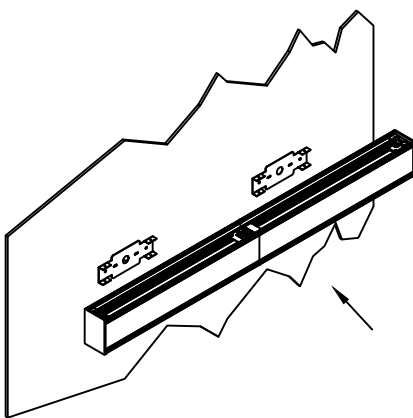
Before connecting the two fixtures, remove the bottom lens and LED trays.

6



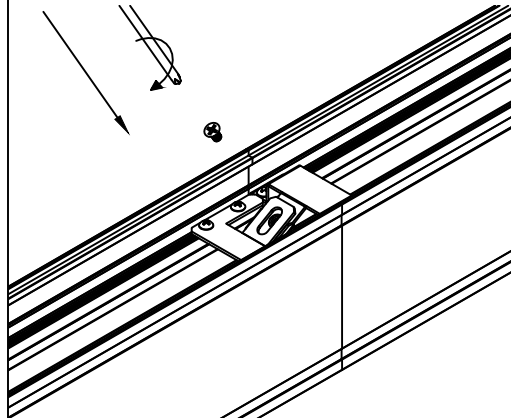
Slide the alignment brackets inward to be flush with end of the fixture.

7



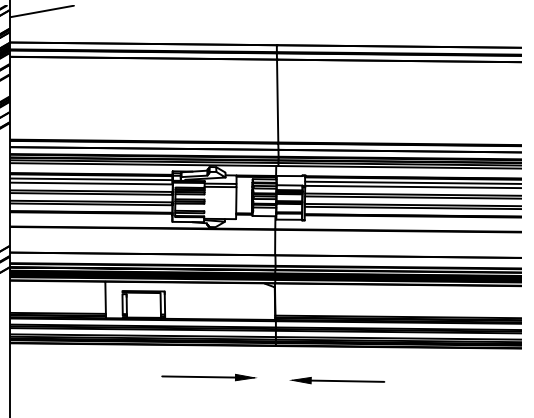
Mount and secure the runs of fixtures to the wall following steps 3 and 4 again.

8



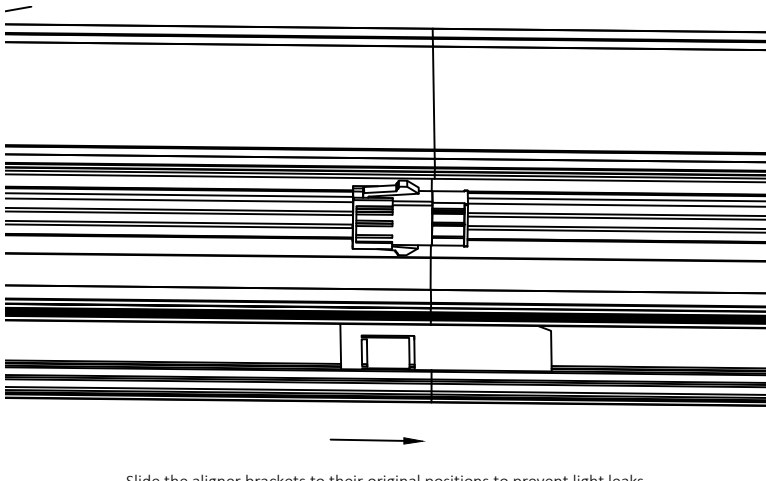
Use the provided 1/4-20 screw to secure the connecting brackets.

9



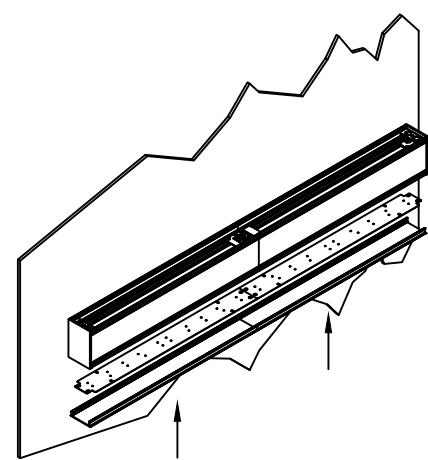
Connect the wiring harnesses together.

10



Slide the aligner brackets to their original positions to prevent light leaks.

11



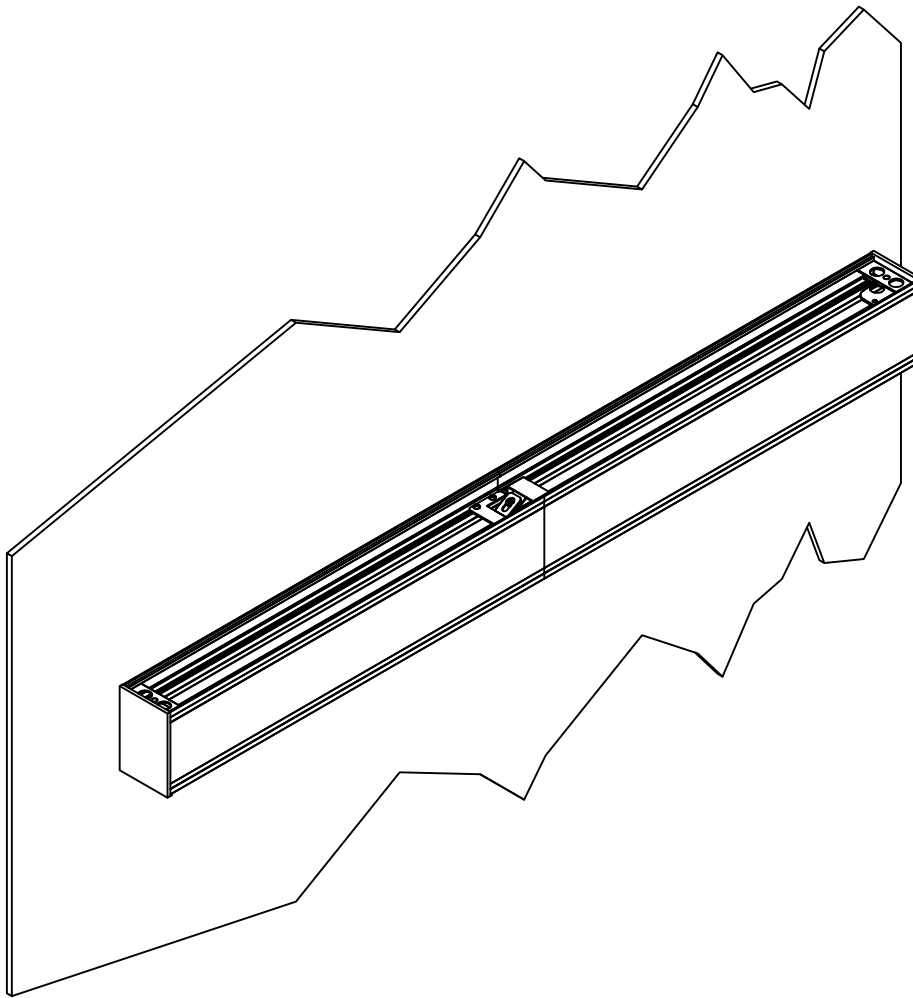
Reinstall the lens and the bottom LED trays.

Remove bottom lens to screw in the special middle LED tray to the adjoining fixture. Screws are pre-installed in the fixture.



Risk of fire and electrical shock. In accordance with national local building and electrical codes, CORONET lighting fixtures must be installed by a qualified electrician. Disconnect power at electrical panel before servicing.

12



Review everything about the fixture making sure it's securely connected and no light leaks are present.

**GENERAL INSTALLATION CONSIDERATIONS - See submittal drawings for job specific data.**

Operating Temperature.....-40°C to 50°C  
 Operating Voltage.....110VAC-277VAC, 50Hz-60Hz  
 Weight.....lb/ft  
 Dimensions.....See submittal drawings

- Installation by a certified electrician only.
- Read and understand the installation instructions before attempting to install or use the fixture.
- Only use fixtures with voltage for which it is rated. Do not exceed the specified voltage and current input.
- Do not use the fixture if the housing, lens, or power cable is damaged.
- Ensure that the main power supply is off before installing or wiring the fixture.
- Method of wire connection to be determined by local electrical codes and regulations.
- The external flexible cable of this luminaire cannot be field replaced; if the cord is damaged, contact Coronet.
- The light source contained in this luminaire shall only be replaced by the lighting manufacturer or his service agent or a similar qualified person.

Please contact our technical support team for assistance.

NOTE: JUNCTION BOXES MUST BE SOLIDLY FIXED TO THE CEILING AND ATTACHED TO THE STRUCTURAL MEMBER INSIDE THE CEILING BEFORE PROCEEDING WITH INSTALLATION.