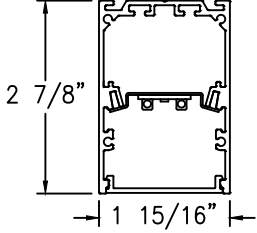


INSTALLATION GUIDE-PENDANT

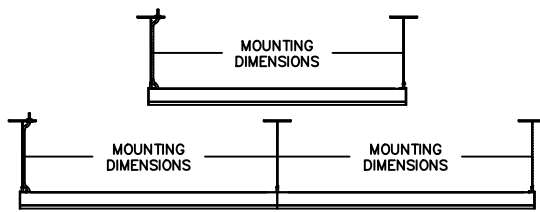


Risk of fire and electrical shock. In accordance with national local building and electrical codes, CORONET lighting fixtures must be installed by a qualified electrician. Disconnect power at electrical panel before servicing.

CROSS SECTION VIEW



SIDE VIEW

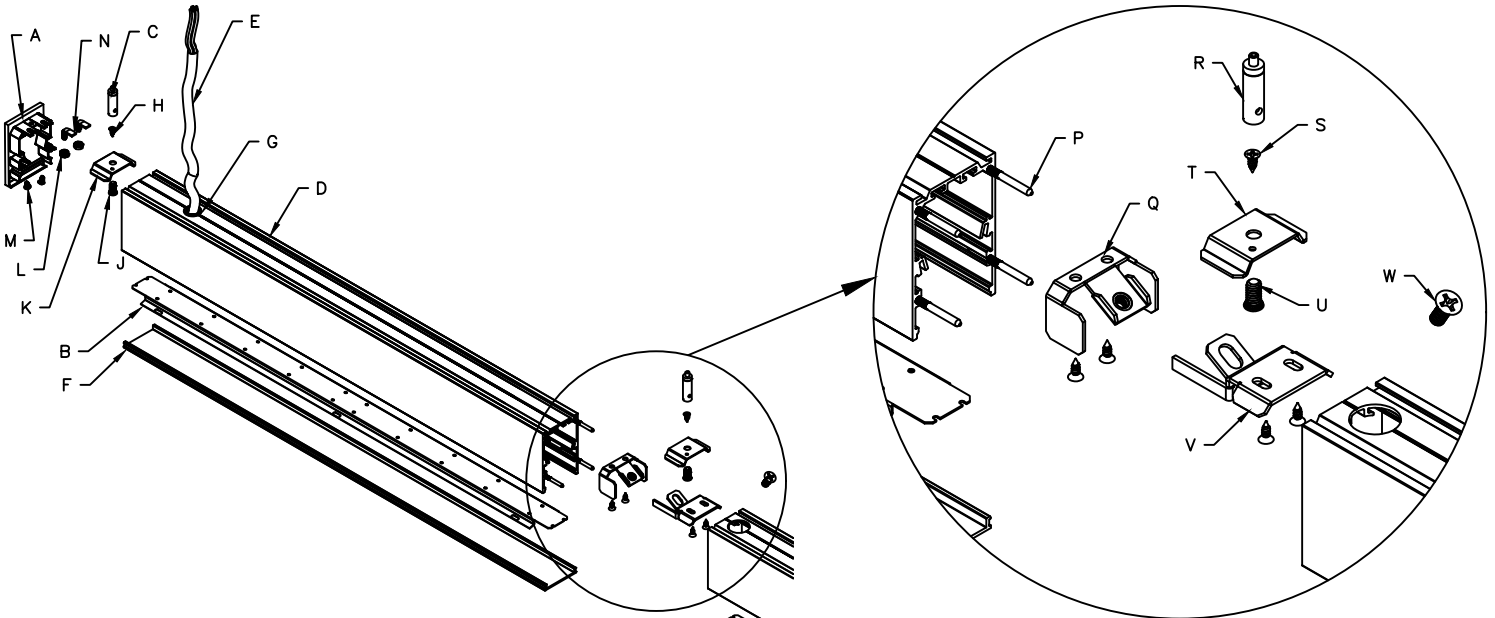


PLEASE CONSULT FACTORY SHOP DRAWINGS FOR SUSPENSION POINTS

PART LIST

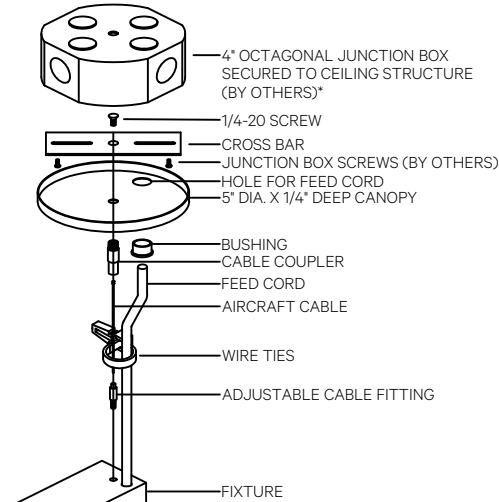
- | | |
|-----------------------------|-----------------------------|
| A-End Plate | M-6-32 Screw |
| B-LED Tray | N-8-32 Spade Screw |
| C-Female Gripper | P-Alignment Pin |
| D-Extrusion | Q-Female Connecting Bracket |
| E-Power Cable | R-Female Gripper |
| F-Lens | S-#6 X 3/8" Flat Head Screw |
| G-Bushing | T-Hanging Bracket |
| H-#6 X 3/8" Flat Head Screw | U-1/4-20 Stud |
| J-1/4-20 Stud | V-Male Connecting Bracket |
| K-Hanging Bracket | W-1/4-20 Flat Head Screw |
| L-8-32 Nut | |

EXPLODED CONNECTION DETAIL

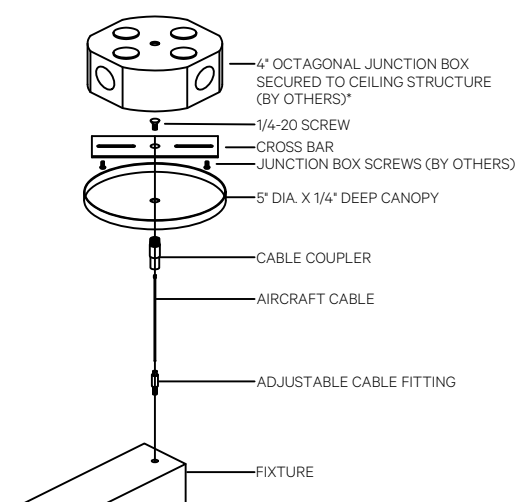


EXPLODED VIEWS ARE TO SHOW DETAIL ONLY, FIXTURES ARE SHIPPED PRE-ASSEMBLED.

FEED DETAIL



NON FEED DETAIL

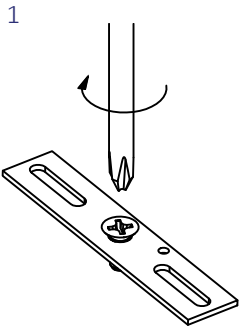


*NOTE: JUNCTION BOXES MUST BE SOLIDLY FIXED TO THE CEILING AND ATTACHED TO THE STRUCTURAL MEMBER INSIDE THE CEILING BEFORE PROCEEDING WITH INSTALLATION.

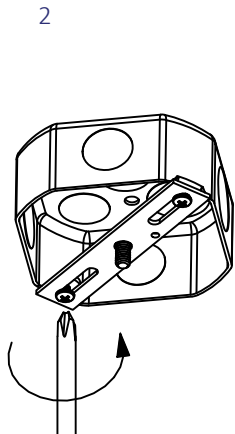
INSTALLATION GUIDE-PENDANT



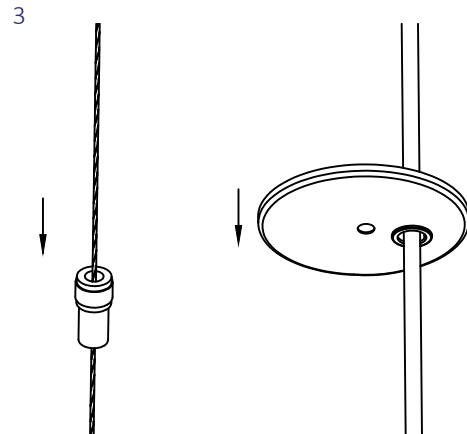
Risk of fire and electrical shock. In accordance with national local building and electrical codes, CORONET lighting fixtures must be installed by a qualified electrician. Disconnect power at electrical panel before servicing.



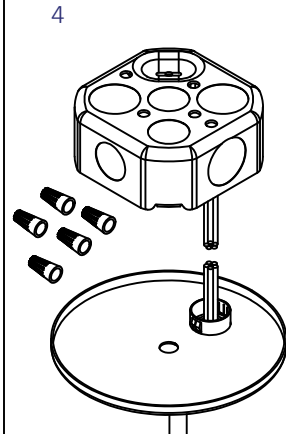
1
Screw the provided 1/4-20 hanging screw before attaching the cross bar to the junction box.



2
Secure the cross bar to the octagonal junction box with the junction box screws.

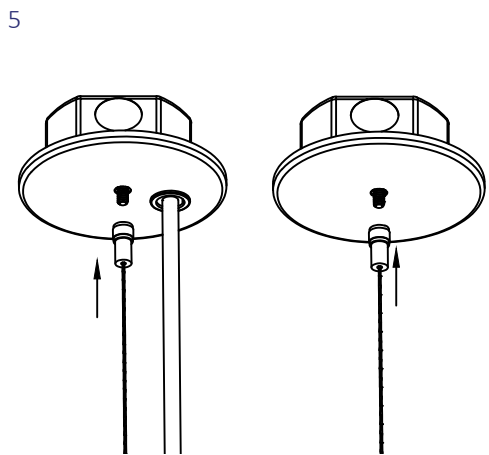


3
Run the aircraft cable through the cable coupler and the power feed cable through the canopy respectively.

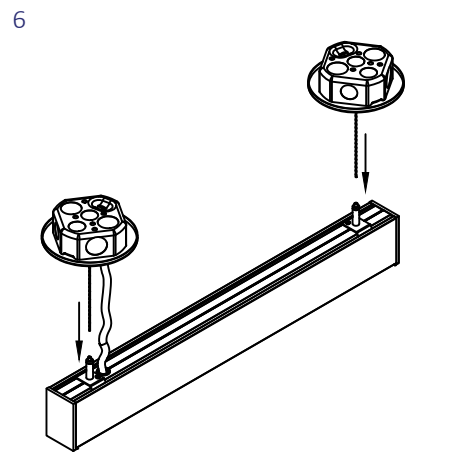


4
With the power to the fixture circuit off, connect the fixture power cord to the power feed in the junction box. (Wire connectors by others)

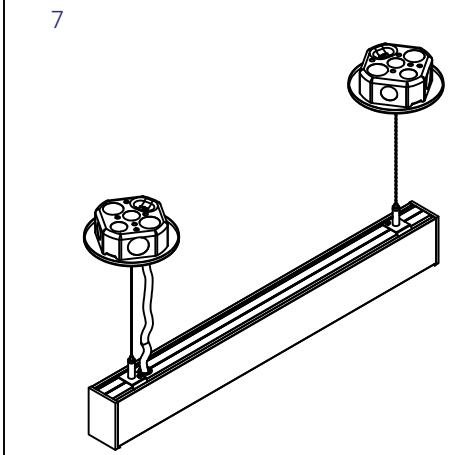
GREEN-GROUND
WHITE-NEUTRAL
BLACK-LINE
GRAY-0-10V DIMMABLE
PURPLE-0-10 V DIMMABLE



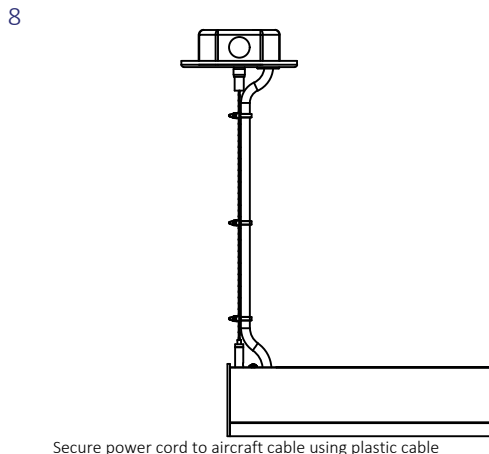
5
Using the 1/4-20 cross bar screw, position the canopy and secure in place with the cable coupler.



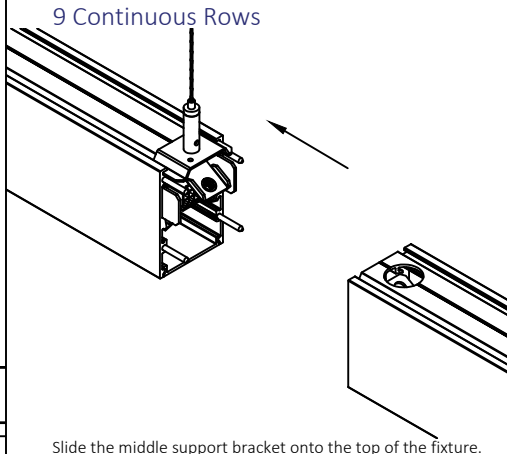
6
Insert the aircraft cable into the cable grippers on both sides of the fixture



7
Adjust the aircraft cables until the desired height is achieved.
Note: Fixture must be level.

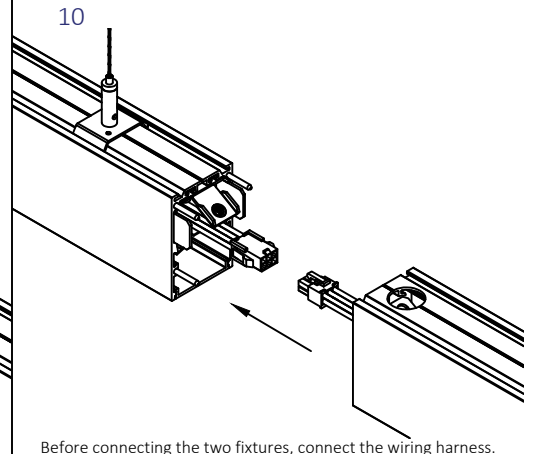


8
Secure power cord to aircraft cable using plastic cable ties.



9 Continuous Rows

Slide the middle support bracket onto the top of the fixture.



10

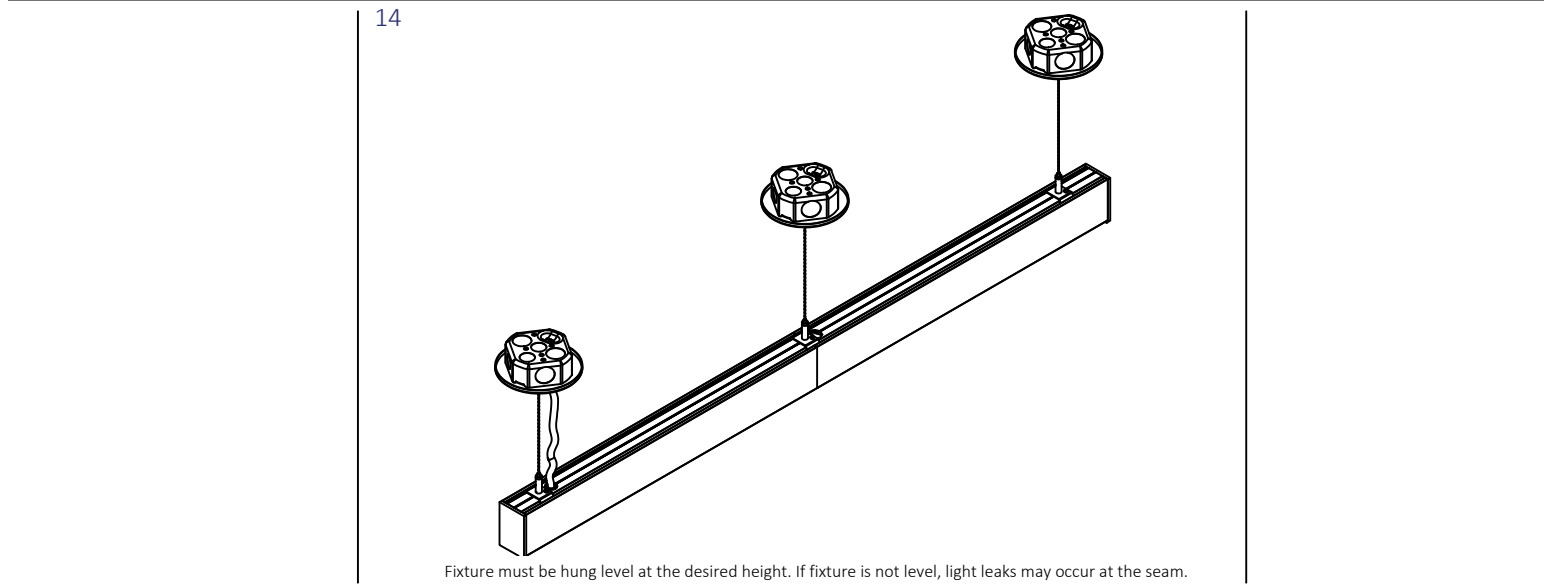
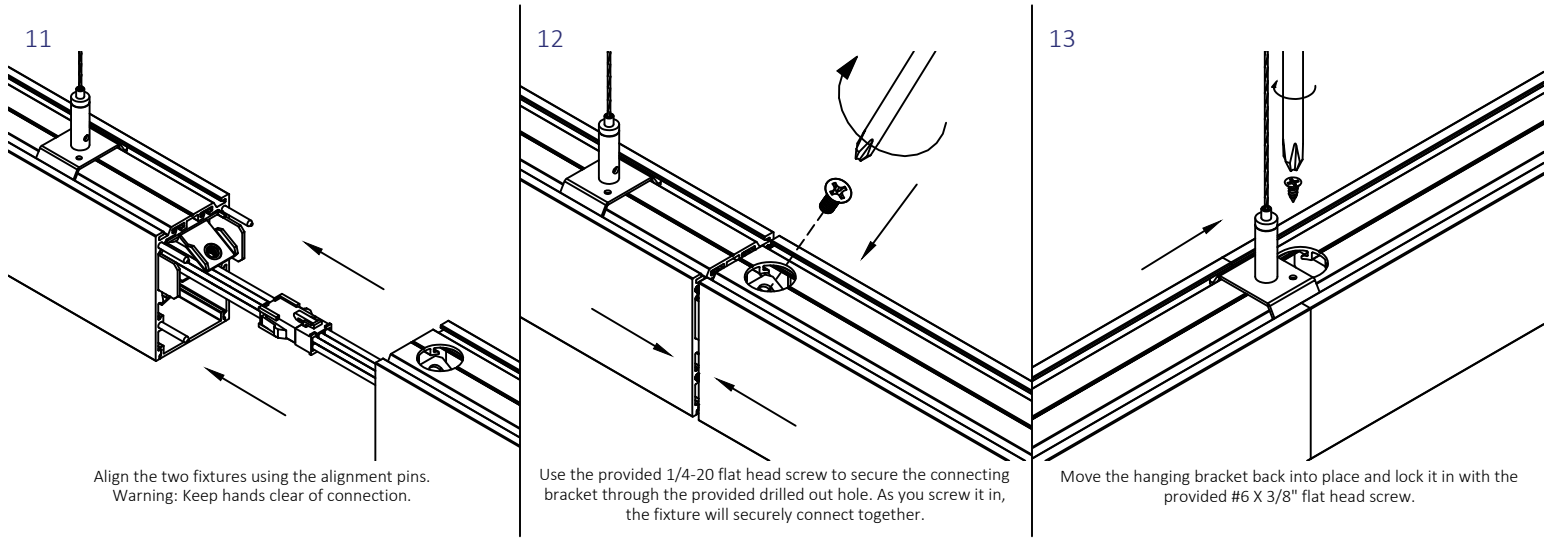
Before connecting the two fixtures, connect the wiring harness.

NOTE: JUNCTION BOXES MUST BE SOLIDLY FIXED TO THE CEILING AND ATTACHED TO THE STRUCTURAL MEMBER INSIDE THE CEILING BEFORE PROCEEDING WITH INSTALLATION.

INSTALLATION GUIDE-PENDANT



Risk of fire and electrical shock. In accordance with national local building and electrical codes, CORONET lighting fixtures must be installed by a qualified electrician. Disconnect power at electrical panel before servicing.



GENERAL INSTALLATION CONSIDERATIONS - See submittal drawings for job specific data.

Operating Temperature.....-40°C to 50°C
 Operating Voltage.....110VAC-277VAC, 50Hz-60Hz
 Weight.....lb/ft
 Dimensions.....See submittal drawings

- Installation by a certified electrician only.
- Read and understand the installation instructions before attempting to install or use the fixture.
- Only use fixtures with voltage for which it is rated. Do not exceed the specified voltage and current input.
- Do not use the fixture if the housing, lens, or power cable is damaged.
- Ensure that the main power supply is off before installing or wiring the fixture.
- Method of wire connection to be determined by local electrical codes and regulations.
- The external flexible cable of this luminaire cannot be field replaced; if the cord is damaged, contact Coronet.
- The light source contained in this luminaire shall only be replaced by the lighting manufacturer or his service agent or a similar qualified person.

Please contact our technical support team for assistance.

NOTE: JUNCTION BOXES MUST BE SOLIDLY FIXED TO THE CEILING AND ATTACHED TO THE STRUCTURAL MEMBER INSIDE THE CEILING BEFORE PROCEEDING WITH INSTALLATION.