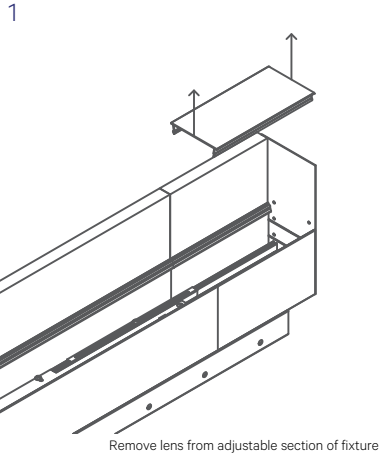
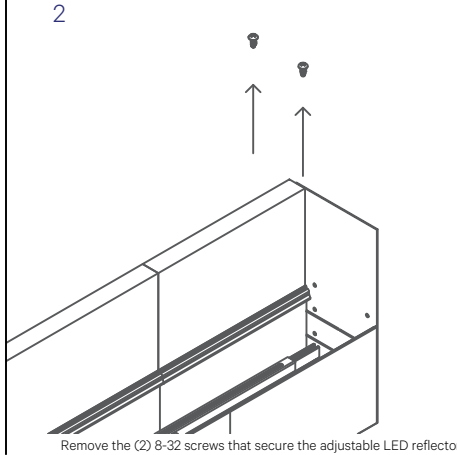




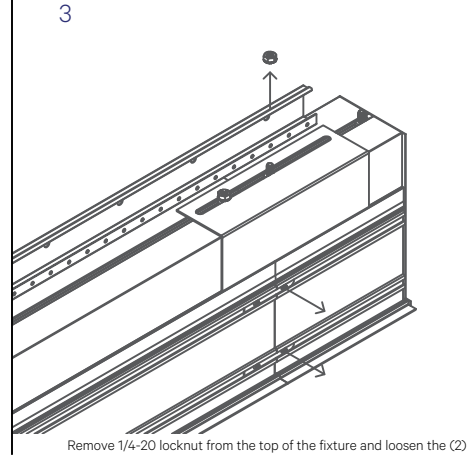
Risk of fire and electrical shock. In accordance with national local building and electrical codes, CORONET lighting fixtures must be installed by a qualified electrician. Disconnect power at electrical panel before servicing.



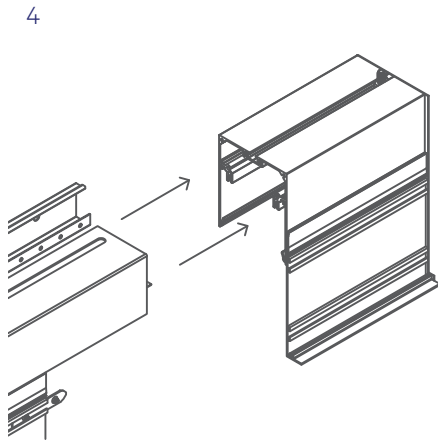
Remove lens from adjustable section of fixture



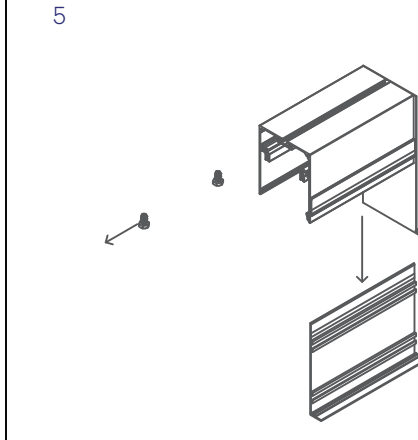
Remove the (2) 8-32 screws that secure the adjustable LED reflector



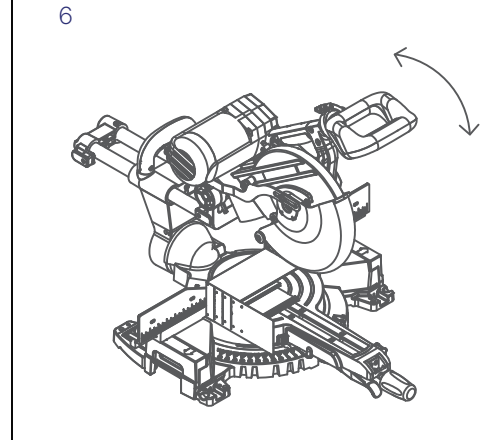
Remove 1/4-20 locknut from the top of the fixture and loosen the (2) 8-32 set screws on the side



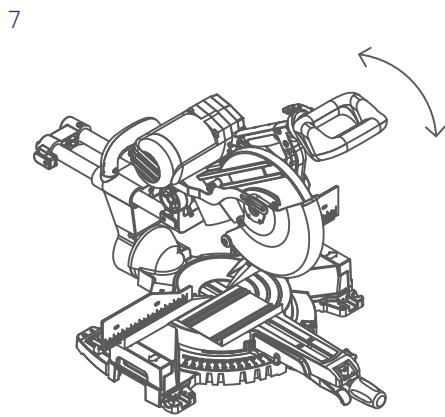
Remove PG4 adjustable section from the rest of the fixture



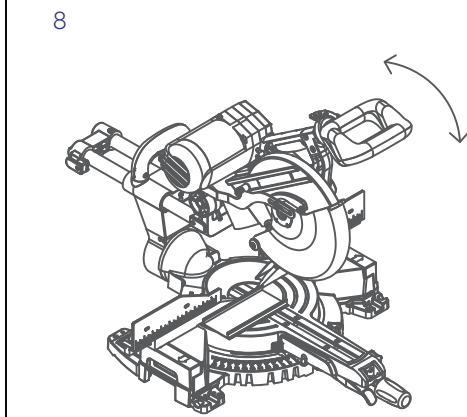
Remove 1/4-20 bolts and snap-in fascia



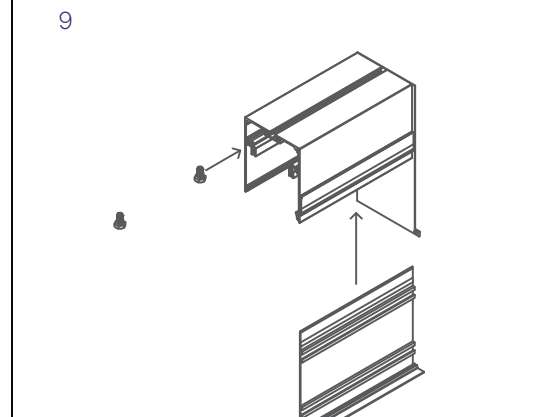
Cut down extrusion to match the length needed to fill end of run.
Minimum 1"-Maximum 7"
(Must use miter saw with aluminum cutting blade)



Cut fascia to match the length needed to fill the end of the run.
Minimum 1"-Maximum 7"
(Must use miter saw with aluminum cutting blade)



Cut lens to match the length of the extrusion
Minimum 1"-Maximum 7"
(Must use miter saw with aluminum cutting blade)



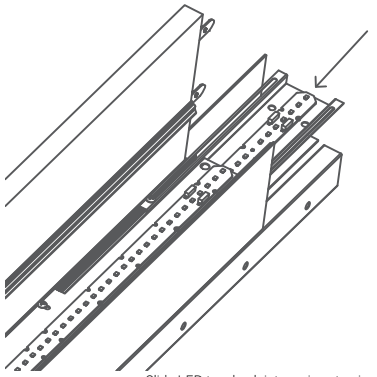
Snap fascia back into PG4 extrusion and slide 1/4-20 bolts back into channel on top of the fixture

NOTE: JUNCTION BOXES MUST BE SOLIDLY FIXED TO THE CEILING AND ATTACHED TO THE STRUCTURAL MEMBER INSIDE THE CEILING BEFORE PROCEEDING WITH INSTALLATION.



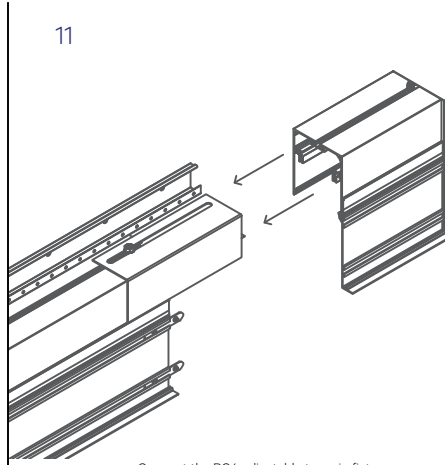
Risk of fire and electrical shock. In accordance with national local building and electrical codes, CORONET lighting fixtures must be installed by a qualified electrician. Disconnect power at electrical panel before servicing.

10



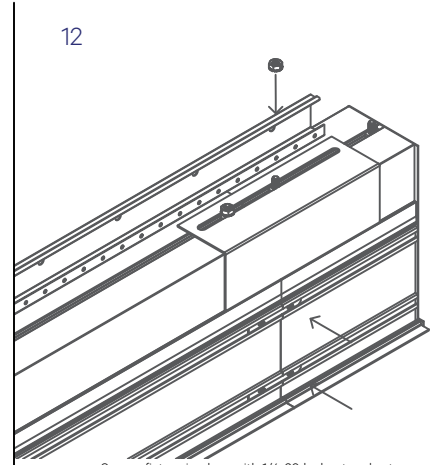
Slide LED tray back into main extrusion

11



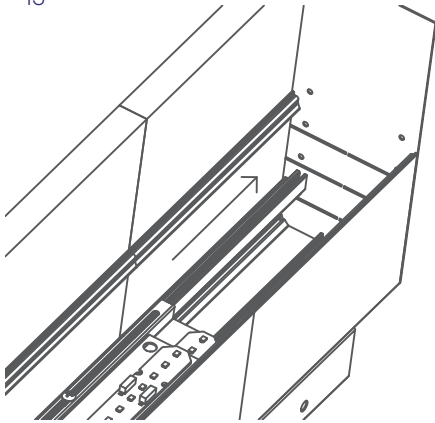
Connect the PG4 adjustable to main fixture

12



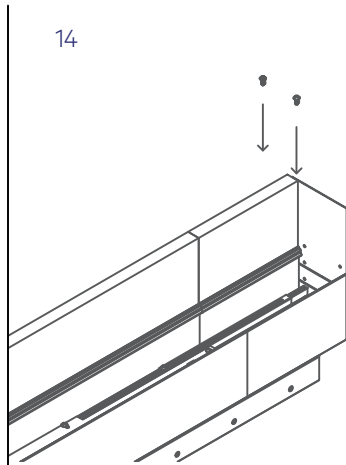
Secure fixture in place with 1/4-20 locknut and set screws

13



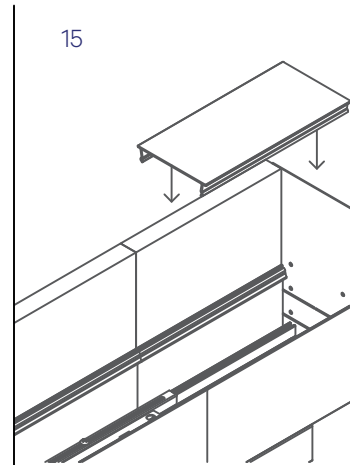
Slide LED board reflector into place

14



Lock led reflector in place using the removed 8-32 screw

15



Snap lens back into adjustable section of fixture

GENERAL INSTALLATION CONSIDERATIONS - See submittal drawings for job specific data.

Operating Temperature.....-40°C to 50°C
 Operating Voltage.....110VAC-277VAC, 50Hz-60Hz
 Weight.....lb/ft
 Dimensions.....See submittal drawings

- Installation by a certified electrician only.
- Read and understand the installation instructions before attempting to install or use the fixture.
- Only use fixtures with voltage for which it is rated. Do not exceed the specified voltage and current input.
- Do not use the fixture if the housing, lens, or power cable is damaged.
- Ensure that the main power supply is off before installing or wiring the fixture.
- Method of wire connection to be determined by local electrical codes and regulations.
- The external flexible cable of this luminaire cannot be field replaced; if the cord is damaged, contact Coronet.
- The light source contained in this luminaire shall only be replaced by the lighting manufacturer or his service agent or a similar qualified person.

NOTE: JUNCTION BOXES MUST BE SOLIDLY FIXED TO THE CEILING AND ATTACHED TO THE STRUCTURAL MEMBER INSIDE THE CEILING BEFORE PROCEEDING WITH INSTALLATION.