

DATE \_\_\_\_\_ PROJECT \_\_\_\_\_ FIRM \_\_\_\_\_ TYPE \_\_\_\_\_



### FEATURES

- Provides 30% Uplight and 70% Direct Light Distribution
- Custom Color & Outputs Available
- Damp Location Rated
- CRI 90+ Standard; R9>50
- 5 Year, 50,000 Hour Fixture Warranty
- 3000K, 3500K & 4000K Color Temperatures Available
- Available with PoE- [See More](#)

**APPLICATIONS** Offices, Lobbies, Retail Stores, Classrooms, Reception Areas, & Corridors

**FINISH** Standard Powder-Coated White. Custom RAL Colors Available

**CONSTRUCTION** Die Formed and Embossed, Heavy Gauge Cold Rolled Steel Housing

**OPTICS** Custom Molded Opal Lens

**FIXTURE RATINGS & CERTIFICATIONS** Union Made ETL Listed Made In The USA Damp Location Rated



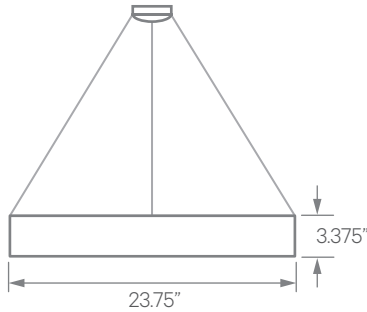
### DRIVERS, SENSORS, & POE



For Wiring Diagrams, POE, and Sensor Information Click [Here](#)

**ELECTRICAL** Integral Driver with 0-10V Dimming Standard. Other Options Require a Remote Driver. Driver Remote With "FC" (Flat Canopy) Option.

### EXTRUSION DIMENSIONS



### LED SYSTEM INFORMATION

	Nominal System Watts	Nominal Delivered Lumens	Nominal Efficacy
Standard (LTG1)	30 W	2,910 lm	97 LPW
Low (LTG2)	21 W	2,098 lm	100 LPW
High (LTG3)	40 W	3,763 lm	94 LPW

Based on a 90CRI, 3500K luminaire using one driver. Custom outputs available; specify below.

### ORDERING



#### 1 - FIXTURE ID

QUAD LED

#### 2 - SIZE

2 - 2 ft

#### 3 - COLOR TEMP

- 30 - 3000K/90 CRI
- 35 - 3500K/90 CRI
- 40 - 4000K/90 CRI
- TW\*\* - Tunable White 2700K-6500K
- RGBW30\*\*\* - RGB + 3000K
- RGBW35\*\*\* - RGB + 3500K

\*\*Requires DMX or TW10 Driver  
\*\*\*Requires DMX Driver

#### 4 - LED SYSTEM

- LTG1 - Standard
- LTG2 - Low
- LTG3 - High
- LTGC - Custom Output

#### 5 - VOLTAGE

- UNV - Universal (120/277V)
- 347V\* - 347V

\*Must use DB Driver

#### 6 - DRIVER

- DB - Standard Dimming (0-10V)
- DB.1%\* - 0.1% Dimming (0-10V)
- ELV-TRI\* - 2-wire 1% Dimming (120V only)  
ELV and TRIAC Compatible
- LDE1\* - Lutron Digital EcoSystem
- LDE5\* - 5 Series EcoSystem; 5% Dimming
- PoE - Power over Ethernet. Consult Factory for Compatibility
- DALI\* - DALI-2 Driver
- DMX\* - For Color Tuning and RGBW
- TW10\* - Dual Channel, 0-10V For Color Tuning (CCT and Intensity Control)

\*Remote Driver

#### 7 - FINISH

- W - White (Standard)
- BLK\* - Black
- CC\* - Custom Color (provide RAL#)

\*White cord and canopy provided. Must specify for other requests.

#### 8 - MOUNTING

AC - Air Craft Cable

#### 9 - OTHER OPTIONS

- EM 120V - Emergency Pack
- EM 277V - Emergency Pack
- EMCKT - Emergency Circuit
- FC - Flat Canopy (Remote Driver)