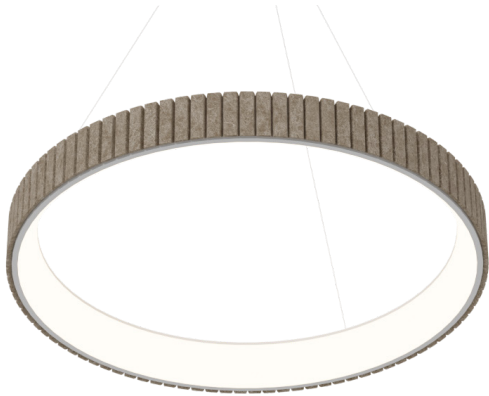


Loop STFU WRP 5ft

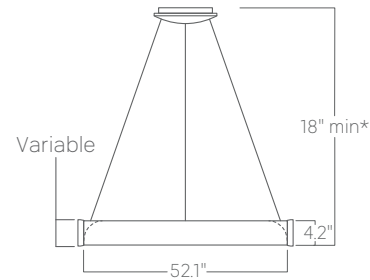


For noise reduction and architectural lighting in one, the STFU series offers a wide range of acoustic felt colors, shapes, profiles, and mounting options.

Features

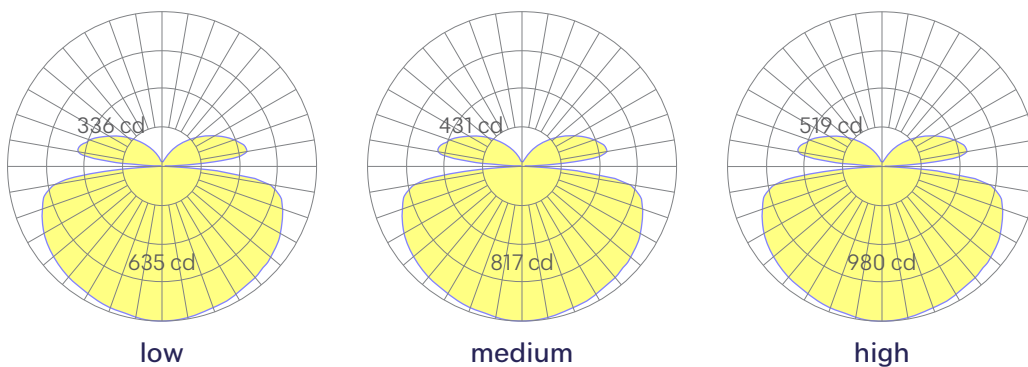
- 24 specifiable colors of recycled PET acoustic felt
- Noise Reduction Coefficient of .75 with a Class-A fire rating
- Fire Spread Index of 0 & Smoke Development Index of 200
- Power Over Wire system eliminates power cord
- Aluminum core LED boards, specifiable output
- Specifiable color temperature. CRI > 90, R9 > 50
- Specifiable, dimmable drivers or PoE
- 5 Year, 50,000 hour warranty, damp location rated
- WELL Building Standard compatible [learn more](#)

Dimensions



*Suspension height is adjustable.

Optics



Representative distribution and peak candela. For other options see order information or IES files [here](#). IES files and output values are based on white STFU; colored STFU will affect output.

Loop STFU WRP 5ft

Ordering Information

For each option group below specify one option. If you don't see your preferred option listed, contact us for [help](#).

1	Fixture ID	2	Length	3	Color Temperature	4	Output																
	LOOP.STFU.WRP.5	5	5 ft nominal diameter	27	2700K/90 CRI	LOW	Low output																
				30	3000K/90 CRI	MED	Medium output																
				35	3500K/90 CRI	HIGH	High output																
				40	4000K/90 CRI	CUST	Custom output Specify watts or lumens.																
5	Voltage	6	Driver	7	Housing Finish	8	Felt Finish																
UNV	Universal (120/277V)	DB	Standard 0-10V 1%	W	White	FW	White felt																
347V	347V	DB.1%	0-10V 0.1%	BLK	Black	FBLK	Black felt																
		PoE	Power over Ethernet	SLV	Silver	FGRY	Grey felt																
		ELV	Reverse phase 1% (120V only)	CC	Custom color See finish options here	F/	Any available felt color See options on page 4																
		TRI	Forward phase																				
		JA8	JA8 compliant 1% dimming																				
		DALI	DALI-2 driver																				
		DMX	DMX512 All DMX drivers set to default address 001 and provided in remote enclosures. Contact us for other addressing needs.																				
9	Felt Height	10	Mounting	11	Optics	12	Sensors/Controls																
FH6	6 inch felt height	ACP.M	Power over aircraft cable One canopy per suspension point, Drivers provided in remote enclosure.	SD	Standard diffuser	NA	None																
FH8	8 inch felt height	ACP.C	Power over aircraft cable Single canopy at the center.			ACM	Acuity nLight- module only																
FH	Custom felt height	SMHC	Surface mount hard ceiling Requires non-removable back panel. See install guide for details.			CCS	Casambi module																
FHD	5.25 inches (default height)					AWNR	Lutron Athena wireless node																
						OTHER	Consult factory																
13	Circuit	14	Options	<h3>Performance</h3> <table border="1"> <thead> <tr> <th>Output¹</th> <th>Watts</th> <th>Lumens</th> <th>LPW</th> </tr> </thead> <tbody> <tr> <td>Low</td> <td>49</td> <td>4047</td> <td>83</td> </tr> <tr> <td>Medium</td> <td>65</td> <td>5369</td> <td>83</td> </tr> <tr> <td>High</td> <td>82</td> <td>6773</td> <td>83</td> </tr> </tbody> </table> <p>¹Based on a typically configured 90 CRI, 3500K luminaire using one driver. Custom outputs available. Please consult factory. For 4000K multiply by 1.05; for 3000K, 0.9; for 2700K, 0.92. For Warm Dim multiply by 80.</p>  <p>Wiring diagrams, PoE and sensor details Click or Scan</p>				Output ¹	Watts	Lumens	LPW	Low	49	4047	83	Medium	65	5369	83	High	82	6773	83
Output ¹	Watts	Lumens	LPW																				
Low	49	4047	83																				
Medium	65	5369	83																				
High	82	6773	83																				
NA	None	NA	None																				
EMPCK	Emergency battery pack	FC	Flat Canopy Only available with ACP.C mounting. Drivers provided in remote enclosures.																				
EMCKT	Emergency circuit May require additional power feeds.	STD	White canopy/cord/stem																				
DAYCKT	Daylight circuit May require additional power feeds.	CAN.X	Canopy + color See finish options here																				

Loop STFU WRP 5ft

Drivers & Electrical

Our Power Over Wire system delivers power to the luminaire via suspension cables, eliminating a separate power feed. For ACPM mounting, drivers are provided in remote enclosures. Drivers are housed in the luminaire canopy or in factory supplied remote enclosures*. All drivers are dimmable.

*See order information for more details. For remote driver box sizes, click [here](#).

Emergency Back-Up

Emergency, battery-powered drivers are available. Emergency circuits for use with building generators are also available.

PoE (Power over Ethernet)

Compatible with virtually all PoE systems including Moxel Coresync, Igor, Smartengine, Platformatics, and NuLED SPICEbox.

Consult factory for systems not listed. See [here](#) for more info.

Weight

17 lbs

Optics

Custom opal lens provides excellent diffusion, high transmission, and no LED imaging.

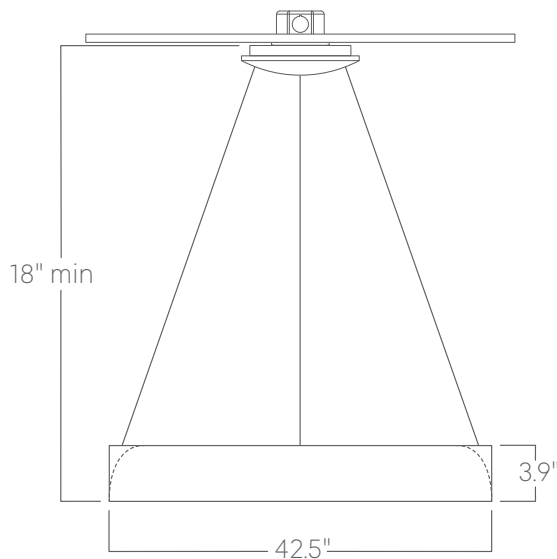
Construction

Die-formed, heavy gauge rolled steel.

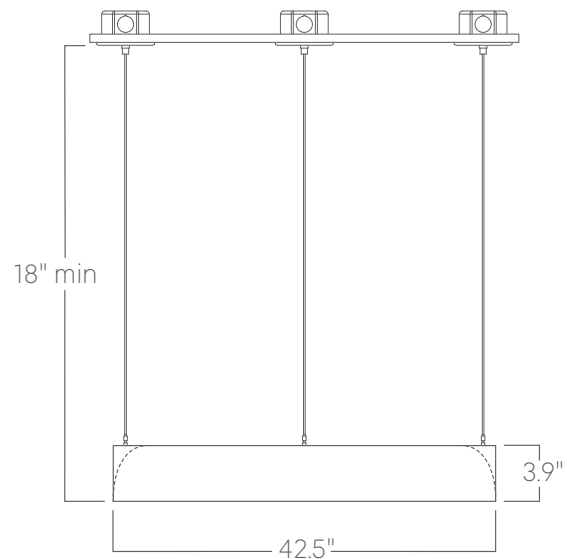
Finishes

All luminaires are finished in high quality polyester powder coating. Acoustic material is made of post-consumer recycled PET felt.

Mounting Options



**Power over aircraft cable
(Single canopy at the center)**



**Power over aircraft cable
(Individual susp. points,
remote driver required)**

Loop STFU WRP 5ft

Acoustic Felt Colors



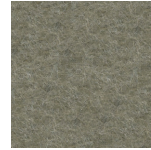
White



Marbled Grey



Taupe



Dark Khaki



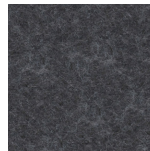
Stone



Spice



Mocha



Grey



Charcoal



Black



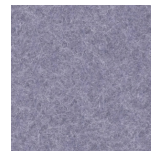
Sailor Blue



True Blue



Sky Blue



Periwinkle



Pink Panther



Purple Orchid



Violet



Maroon



Red Rose



Pumpkin



Sunshine



Lime

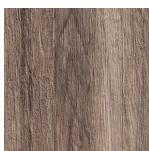


Emerald



Sage

Acoustic Felt Wood Grain



Weathered Oak



Chestnut



Oak



Light Teak

Please note that colors may vary depending on screen settings. For an accurate representation, please request a sample.