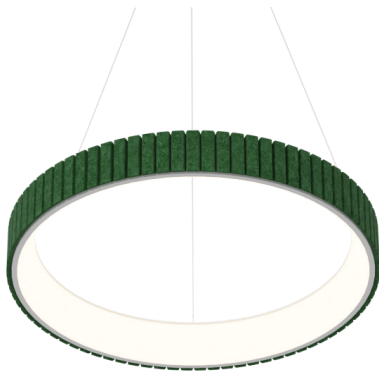


Loop STFU WRP 3ft

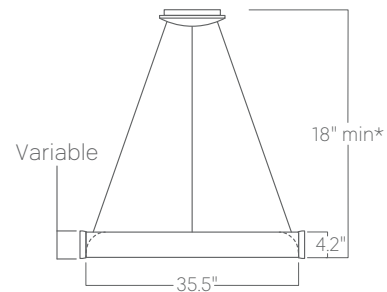


For noise reduction and architectural lighting in one, the STFU series offers a wide range of acoustic felt colors, shapes, profiles, and mounting options.

Features

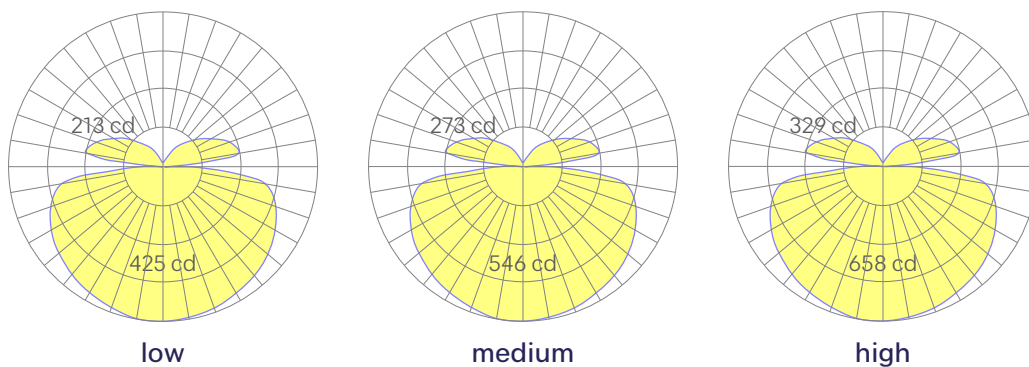
- 24 specifiable colors of recycled PET acoustic felt
- Noise Reduction Coefficient of .75 with a Class-A fire rating
- Fire Spread Index of 0 & Smoke Development Index of 200
- Power Over Wire system eliminates power cord
- Aluminum core LED boards, specifiable output
- Specifiable color temperature. CRI > 90, R9 > 50
- Specifiable, dimmable drivers or PoE
- 5 Year, 50,000 hour warranty, damp location rated
- WELL Building Standard compatible [learn more](#)

Dimensions



*Suspension height is adjustable.

Optics



Representative distribution and peak candela. For other options see order information or IES files [here](#). IES files and output values are based on white STFU; colored STFU will affect output.

Loop STFU WRP 3ft

Ordering Information

For each option group below specify one option. If you don't see your preferred option listed, contact us for [help](#).

| 1 | Fixture ID | 2 | Length | 3 | Color Temperature | 4 | Output | | | | | | | | | | | | | | | | |
|---------------------|--|--------------|--|---|---|--------------|---|---------------------|-------|--------|-----|-----|----|------|----|--------|----|------|----|------|----|------|----|
| | LOOP.STFU.WRP.3 | 3 | 3 ft nominal diameter | 27 | 2700K/90 CRI | LOW | Low output | | | | | | | | | | | | | | | | |
| | | | | 30 | 3000K/90 CRI | MED | Medium output | | | | | | | | | | | | | | | | |
| | | | | 35 | 3500K/90 CRI | HIGH | High output | | | | | | | | | | | | | | | | |
| | | | | 40 | 4000K/90 CRI | CUST | Custom output Specify watts or lumens. | | | | | | | | | | | | | | | | |
| 5 | Voltage | 6 | Driver | 7 | Housing Finish | 8 | Felt Finish | | | | | | | | | | | | | | | | |
| UNV | Universal (120/277V) | DB | Standard 0-10V 1% | W | White | FW | White felt | | | | | | | | | | | | | | | | |
| 347V | 347V | DB.1% | 0-10V 0.1% | BLK | Black | FBLK | Black felt | | | | | | | | | | | | | | | | |
| | | PoE | Power over Ethernet | SLV | Silver | FGRY | Grey felt | | | | | | | | | | | | | | | | |
| | | ELV | Reverse phase 1% (120V only) | CC | Custom color See finish options here | F/ | Any available felt color See options on page 4 | | | | | | | | | | | | | | | | |
| | | TRI | Forward phase | | | | | | | | | | | | | | | | | | | | |
| | | JA8 | JA8 compliant 1% dimming | | | | | | | | | | | | | | | | | | | | |
| | | DALI | DALI-2 driver | | | | | | | | | | | | | | | | | | | | |
| | | DMX | DMX512 All DMX drivers set to default address 001 and provided in remote enclosures. Contact us for other addressing needs. | | | | | | | | | | | | | | | | | | | | |
| 9 | Felt Height | 10 | Mounting | 11 | Optics | 12 | Sensors/Controls | | | | | | | | | | | | | | | | |
| FH6 | 6 inch felt height | ACP.M | Power over aircraft cable One canopy per suspension point, Drivers provided in remote enclosure. | SD | Standard diffuser | NA | None | | | | | | | | | | | | | | | | |
| FH8 | 8 inch felt height | ACP.C | Power over aircraft cable Single canopy at the center. | | | ACM | Acuity nLight- module only | | | | | | | | | | | | | | | | |
| FH | Custom felt height | SMHC | Surface mount hard ceiling Requires non-removable back panel. See install guide for details. | | | CCS | Casambi module | | | | | | | | | | | | | | | | |
| FHD | 5.25 inches (default height) | | | | | AWNR | Lutron Athena wireless node | | | | | | | | | | | | | | | | |
| | | | | | | OTHER | Consult factory | | | | | | | | | | | | | | | | |
| 13 | Circuit | 14 | Options | <h3>Performance</h3> <table border="1"> <thead> <tr> <th>Output¹</th> <th>Watts</th> <th>Lumens</th> <th>LPW</th> </tr> </thead> <tbody> <tr> <td>Low</td> <td>34</td> <td>2686</td> <td>79</td> </tr> <tr> <td>Medium</td> <td>45</td> <td>3555</td> <td>79</td> </tr> <tr> <td>High</td> <td>57</td> <td>4503</td> <td>79</td> </tr> </tbody> </table> <p>¹Based on a typically configured 90 CRI, 3500K luminaire using one driver. Custom outputs available. Please consult factory. For 4000K multiply by 1.05; for 3000K, 0.9; for 2700K, 0.92. For Warm Dim multiply by 80.</p>  <p>Wiring diagrams, PoE and sensor details Click or Scan</p> | | | | Output ¹ | Watts | Lumens | LPW | Low | 34 | 2686 | 79 | Medium | 45 | 3555 | 79 | High | 57 | 4503 | 79 |
| Output ¹ | Watts | Lumens | LPW | | | | | | | | | | | | | | | | | | | | |
| Low | 34 | 2686 | 79 | | | | | | | | | | | | | | | | | | | | |
| Medium | 45 | 3555 | 79 | | | | | | | | | | | | | | | | | | | | |
| High | 57 | 4503 | 79 | | | | | | | | | | | | | | | | | | | | |
| NA | None | NA | None | | | | | | | | | | | | | | | | | | | | |
| EMPCK | Emergency battery pack | FC | Flat Canopy Only available with ACP.C mounting. Drivers provided in remote enclosures. | | | | | | | | | | | | | | | | | | | | |
| EMCKT | Emergency circuit May require additional power feeds. | STD | White canopy/cord/stem | | | | | | | | | | | | | | | | | | | | |
| DAYCKT | Daylight circuit May require additional power feeds. | CAN.X | Canopy + color See finish options here | | | | | | | | | | | | | | | | | | | | |

Loop STFU WRP 3ft

Drivers & Electrical

Our Power Over Wire system delivers power to the luminaire via suspension cables, eliminating a separate power feed. For ACPM mounting, drivers are provided in remote enclosures. Drivers are housed in the luminaire canopy or in factory supplied remote enclosures*. All drivers are dimmable.

*See order information for more details. For remote driver box sizes, click [here](#).

Emergency Back-Up

Emergency, battery-powered drivers are available. Emergency circuits for use with building generators are also available.

PoE (Power over Ethernet)

Compatible with virtually all PoE systems including Molex Coresync, Igor, Smartengine, Platformics, and NuLED SPICEbox.

Consult factory for systems not listed. See [here](#) for more info.

Weight

13 lbs

Optics

Custom opal lens provides excellent diffusion, high transmission, and no LED imaging.

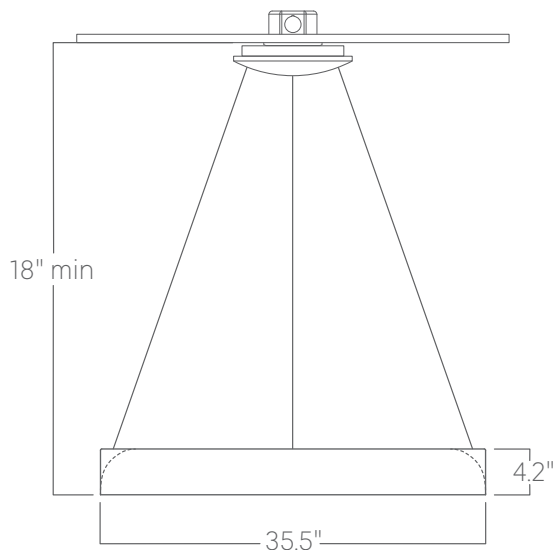
Construction

Die-formed, heavy gauge rolled steel.

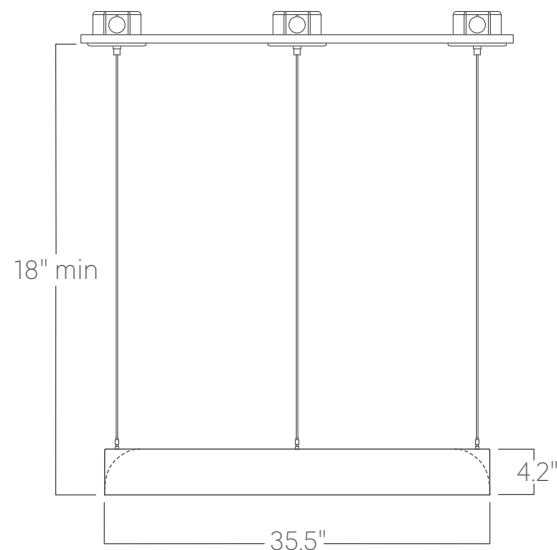
Finishes

All luminaires are finished in high quality polyester powder coating. Acoustic material is made of post-consumer recycled PET felt.

Mounting Options



**Power over aircraft cable
(Single canopy at the center)**



**Power over aircraft cable
(Individual susp. points,
remote driver required)**

Loop STFU WRP 3ft

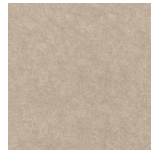
Acoustic Felt Colors



White



Marbled Grey



Taupe



Dark Khaki



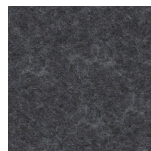
Stone



Spice



Mocha



Grey



Charcoal



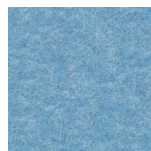
Black



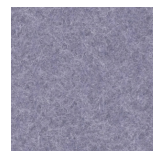
Sailor Blue



True Blue



Sky Blue



Periwinkle



Pink Panther



Purple Orchid



Violet



Maroon



Red Rose



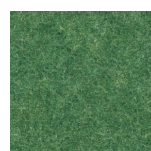
Pumpkin



Sunshine



Lime



Emerald



Sage

Acoustic Felt Wood Grain



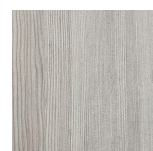
Weathered Oak



Chestnut



Oak



Light Teak

Please note that colors may vary depending on screen settings. For an accurate representation, please request a sample.