

Loop STFU WRP 18in

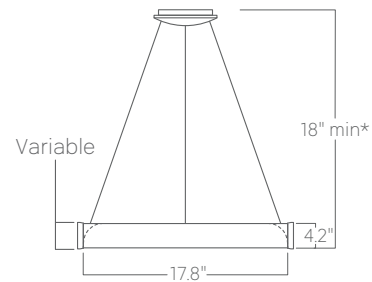


For noise reduction and architectural lighting in one, the STFU series offers a wide range of acoustic felt colors, shapes, profiles, and mounting options.

Features

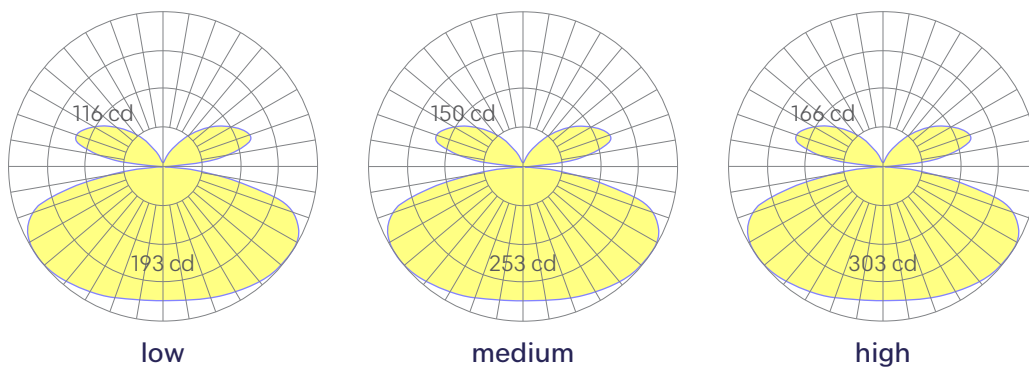
- 24 specifiable colors of recycled PET acoustic felt
- Noise Reduction Coefficient of .75 with a Class-A fire rating
- Fire Spread Index of 0 & Smoke Development Index of 200
- Power Over Wire system eliminates power cord
- Aluminum core LED boards, specifiable output
- Specifiable color temperature. CRI > 90, R9 > 50
- Specifiable, dimmable drivers or PoE
- 5 Year, 50,000 hour warranty, damp location rated
- WELL Building Standard compatible [learn more](#)

Dimensions



*Suspension height is adjustable.

Optics




Representative distribution and peak candela. For other options see order information or IES files [here](#). IES files and output values are based on white STFU; colored STFU will affect output.

Loop STFU WRP 18in

Ordering Information

For each option group below specify one option. If you don't see your preferred option listed, contact us for [help](#).

1	Fixture ID	2	Length	3	Color Temperature	4	Output																
	LOOP.STFU.WRP.18	18	18-inch nominal diameter	27 30 35 40	2700K/90 CRI 3000K/90 CRI 3500K/90 CRI 4000K/90 CRI	LOW MED HIGH CUST	Low output Medium output High output Custom output <small>Specify watts or lumens.</small>																
5	Voltage	6	Driver	7	Housing Finish	8	Felt Finish																
	UNV Universal (120/277V) 347V 347V	DB Standard 0-10V 1% DB.1% 0-10V 0.1% PoE Power over Ethernet TRI Forward phase LDE1 Lutron Digital EcoSystem DALI DALI-2 driver DMX DMX512 <small>All DMX drivers set to default address 001 and provided in remote enclosers. Contact us for other addressing needs.</small> JA8 JA8 compliant 1% dimming	W White BLK Black SLV Silver CC Custom color See finish options here	FW White felt FBLK Black felt FGRY Grey felt F/ Any available felt color <small>See options on page 4</small>																			
9	Felt Height	10	Mounting	11	Optics	12	Sensors/Controls																
	FH6 6 inch felt height FH8 8 inch felt height FH Custom felt height FHD 5.25 inches (default height)	ACP.M Power over aircraft cable <small>One canopy per suspension point, Drivers provided in remote enclosure.</small> ACP.C Power over aircraft cable <small>Single canopy at the center.</small> SMHC Surface mount hard ceiling <small>Requires non-removable back panel. See install guide for details.</small>	SD Standard diffuser	NA None ACM Acuity nLight- module only CCS Casambi module AWNR Lutron Athena wireless node OTHER Consult factory																			
13	Circuit	14	Options	<h2 style="text-align: center;">Performance</h2> <table border="1"> <thead> <tr> <th>Output¹</th> <th>Watts</th> <th>Lumens</th> <th>LPW</th> </tr> </thead> <tbody> <tr> <td>Low</td> <td>17</td> <td>1383</td> <td>81</td> </tr> <tr> <td>Medium</td> <td>23</td> <td>1816</td> <td>79</td> </tr> <tr> <td>High</td> <td>29</td> <td>2176</td> <td>75</td> </tr> </tbody> </table> <p><small>¹Based on a typically configured 90 CRI, 3500K luminaire using one driver. Custom outputs available. Please consult factory. For 4000K multiply by 1.05, for 3000K, 0.9; for 2700K, 0.92. For Warm Dim multiply by 80.</small></p> 				Output ¹	Watts	Lumens	LPW	Low	17	1383	81	Medium	23	1816	79	High	29	2176	75
Output ¹	Watts	Lumens	LPW																				
Low	17	1383	81																				
Medium	23	1816	79																				
High	29	2176	75																				
	NA None EMPCK Emergency battery pack EMCKT Emergency circuit <small>May require additional power feeds.</small> DAYCKT Daylight circuit <small>May require additional power feeds.</small>	NA None FC Flat Canopy <small>Only available with ACP.C mounting. Drivers provided in remote enclosers.</small> STD White canopy/cord/stem CAN.X Canopy + color See finish options here																					

Loop STFU WRP 18in

Drivers & Electrical

Our Power Over Wire system delivers power to the luminaire via suspension cables, eliminating a separate power feed. For ACPM mounting, drivers are provided in remote enclosures. Drivers are housed in the luminaire canopy or in factory supplied remote enclosures*. All drivers are dimmable.

*See order information for more details. For remote driver box sizes, click [here](#).

Emergency Back-Up

Emergency, battery-powered drivers are available. Emergency circuits for use with building generators are also available.

PoE (Power over Ethernet)

Compatible with virtually all PoE systems including Moxel Coresync, Igor, Smartengine, Platformatics, and NuLED SPICEbox.

Consult factory for systems not listed. See [here](#) for more info.

Weight

7 lbs

Optics

Custom opal lens provides excellent diffusion, high transmission, and no LED imaging.

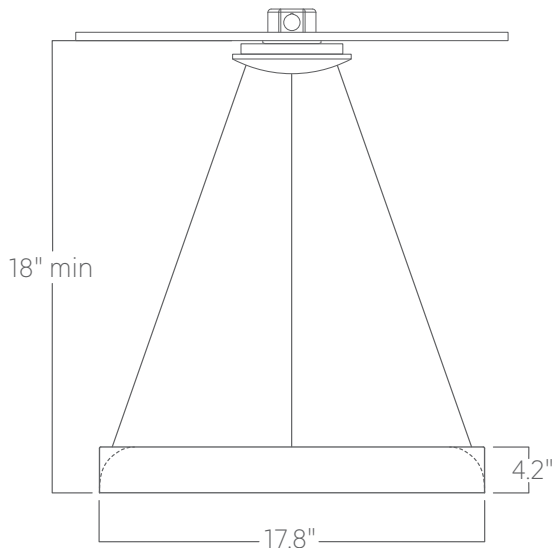
Construction

Die-formed, heavy gauge rolled steel.

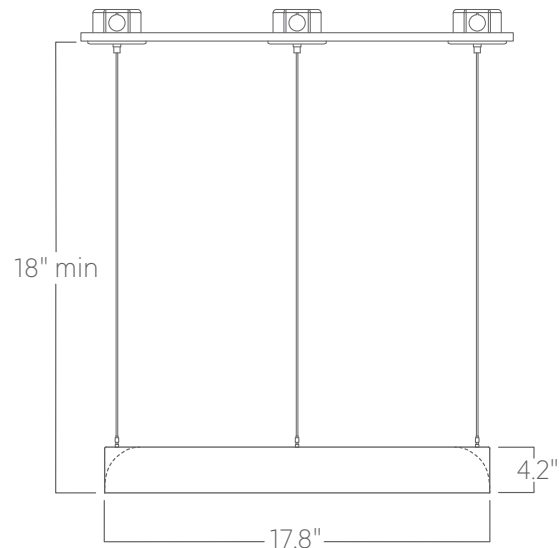
Finishes

All luminaires are finished in high quality polyester powder coating. Acoustic material is made of post-consumer recycled PET felt.

Mounting Options



**Power over aircraft cable
(Single canopy at the center)**



**Power over aircraft cable
(Individual susp. points,
remote driver required)**

Loop STFU WRP 18in

Acoustic Felt Colors



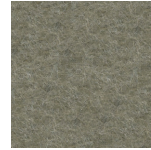
White



Marbled Grey



Taupe



Dark Khaki



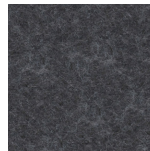
Stone



Spice



Mocha



Grey



Charcoal



Black



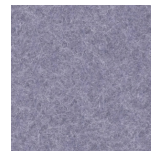
Sailor Blue



True Blue



Sky Blue



Periwinkle



Pink Panther



Purple Orchid



Violet



Maroon



Red Rose



Pumpkin



Sunshine



Lime

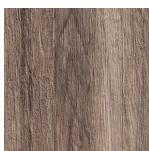


Emerald



Sage

Acoustic Felt Wood Grain



Weathered Oak



Chestnut



Oak



Light Teak

Please note that colors may vary depending on screen settings. For an accurate representation, please request a sample.