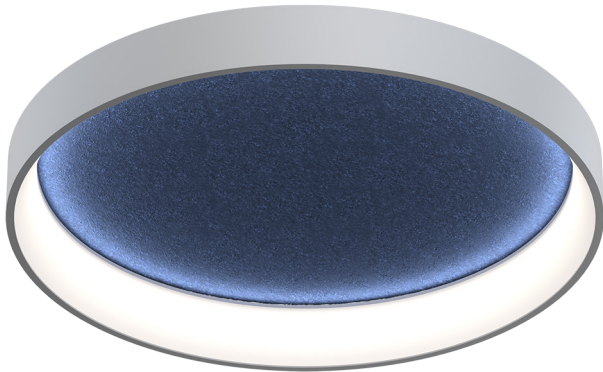


# Loop STFU TP 3ft

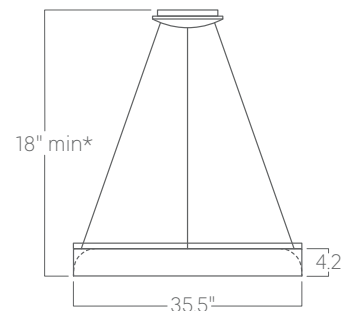


For noise reduction and architectural lighting in one, the STFU series offers a wide range of acoustic felt colors, shapes, profiles, and mounting options.

## Features

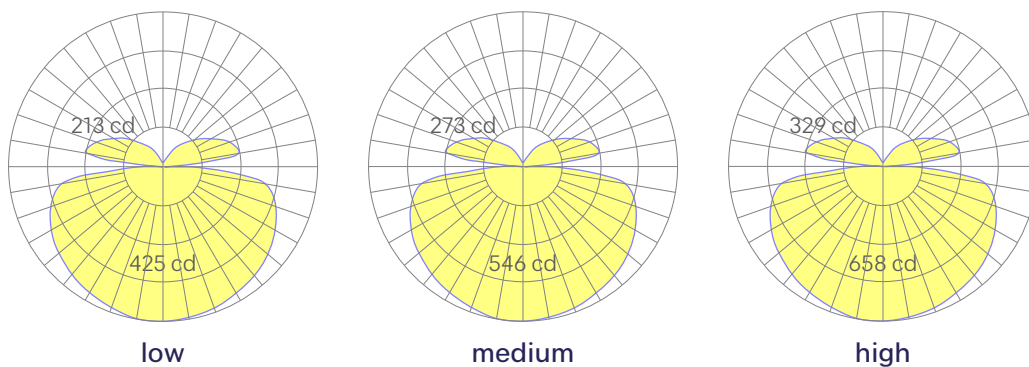
- 24 specifiable colors of recycled PET acoustic felt
- Noise Reduction Coefficient of .75 with a Class-A fire rating
- Fire Spread Index of 0 & Smoke Development Index of 200
- Power Over Wire system eliminates power cord
- Aluminum core LED boards, specifiable output
- Specifiable color temperature. CRI > 90, R9 > 50
- Specifiable, dimmable drivers or PoE
- 5 Year, 50,000 hour warranty, damp location rated
- WELL Building Standard compatible [learn more](#)

## Dimensions



\*Suspension height is adjustable.

## Optics



Representative distribution and peak candela. For other options see order information or IES files [here](#). IES files and output values are based on white STFU; colored STFU will affect output.

# Loop STFU TP 3ft

## Ordering Information

For each option group below specify one option. If you don't see your preferred option listed, contact us for [help](#).

1	Fixture ID	2	Length	3	Color Temperature	4	Output
	<b>LOOP.STFU.TP.3</b>	<b>3</b>	3 ft nominal diameter	<b>27</b>	2700K/90 CRI	<b>LOW</b>	Low output
				<b>30</b>	3000K/90 CRI	<b>MED</b>	Medium output
				<b>35</b>	3500K/90 CRI	<b>HIGH</b>	High output
				<b>40</b>	4000K/90 CRI	<b>CUST</b>	Custom output Specify watts or lumens.
5	Voltage	6	Driver	7	Housing Finish	8	Felt Finish
<b>UNV</b>	Universal (120/277V)	<b>DB</b>	Standard 0-10V 1%	<b>W</b>	White	<b>FW</b>	White felt
<b>347V</b>	347V	<b>DB.1%</b>	0-10V 0.1%	<b>BLK</b>	Black	<b>FBLK</b>	Black felt
		<b>PoE</b>	Power over Ethernet	<b>SLV</b>	Silver	<b>FGRY</b>	Grey felt
		<b>ELV</b>	Reverse phase 1% (120V only)	<b>CC</b>	Custom color <a href="#">See finish options here</a>	<b>F/</b>	Any available felt color See options on page 4
		<b>TRI</b>	Forward phase				
		<b>JA8</b>	JA8 compliant 1% dimming				
		<b>DALI</b>	DALI-2 driver				
		<b>DMX</b>	DMX512 All DMX drivers set to default address 001 and provided in remote enclosures. Contact us for other addressing needs.				
9	Mounting	10	Optics	11	Sensors/Controls	12	Circuit
<b>ACP.M</b>	Power over aircraft cable One canopy per suspension point; Drivers provided in remote enclosure.	<b>SD</b>	Standard diffuser	<b>NA</b>	None	<b>NA</b>	None
<b>ACP.C</b>	Power over aircraft cable Single canopy at the center.			<b>ACM</b>	Acuity nLight- module only	<b>EMPCK</b>	Emergency battery pack
				<b>CCS</b>	Casambi module	<b>EMCKT</b>	Emergency circuit May require additional power feeds.
				<b>AWN.R</b>	Lutron Athena wireless node	<b>DAYCKT</b>	Daylight circuit May require additional power feeds.
				<b>OTHER</b>	Consult factory		
13	Options						
<b>NA</b>	None						
<b>FC</b>	Flat Canopy Only available with ACPC mounting. Drivers provided in remote enclosures.						
<b>STD</b>	White canopy/cord/stem						
<b>CAN.X</b>	Canopy + color <a href="#">See finish options here</a>						

## Performance

Output <sup>1</sup>	Watts	Lumens	LPW
Low	34	2686	79
Medium	45	3555	79
High	57	4503	79

<sup>1</sup>Based on a typically configured 90 CRI, 3500K luminaire using one driver.  
Custom outputs available. Please consult factory.  
For 4000K multiply by 1.05; for 3000K, 0.9; for 2700K, 0.92.  
For Warm Dim multiply by .80.



Wiring diagrams, PoE and sensor details  
Click or Scan

# Loop STFU TP 3ft

## Drivers & Electrical

Our Power Over Wire system delivers power to the luminaire via suspension cables, eliminating a separate power feed. For ACPM mounting, drivers are provided in remote enclosures. Drivers are housed in the luminaire canopy or in factory supplied remote enclosures\*. All drivers are dimmable.

\*See order information for more details. For remote driver box sizes, click [here](#).

## Emergency Back-Up

Emergency, battery-powered drivers are available. Emergency circuits for use with building generators are also available.

## PoE (Power over Ethernet)

Compatible with virtually all PoE systems including Moxel Coresync, Igor, Smartengine, Platformatics, and NuLED SPICEbox.

Consult factory for systems not listed. See [here](#) for more info.

## Weight

13 lbs

## Optics

Custom opal lens provides excellent diffusion, high transmission, and no LED imaging.

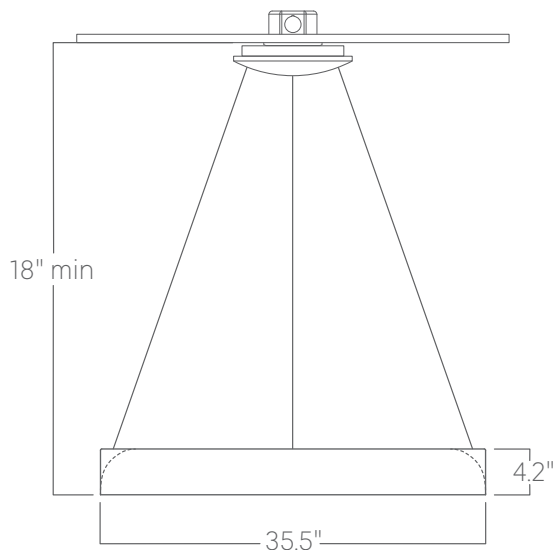
## Construction

Die-formed, heavy gauge rolled steel.

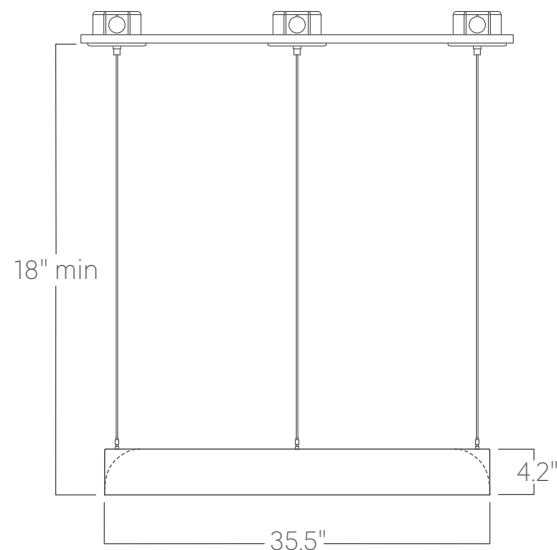
## Finishes

All luminaires are finished in high quality polyester powder coating. Acoustic material is made of post-consumer recycled PET felt.

## Mounting Options



**Power over aircraft cable  
(Single canopy at the center)**



**Power over aircraft cable  
(Individual susp. points,  
remote driver required)**

# Loop STFU TP 3ft

## Acoustic Felt Colors



White



Marbled Grey



Taupe



Dark Khaki



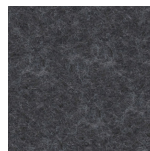
Stone



Spice



Mocha



Grey



Charcoal



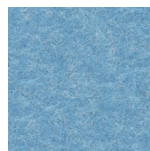
Black



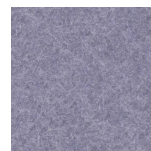
Sailor Blue



True Blue



Sky Blue



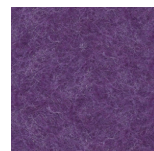
Periwinkle



Pink Panther



Purple Orchid



Violet



Maroon



Red Rose



Pumpkin



Sunshine



Lime

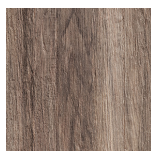


Emerald

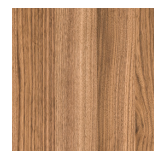


Sage

## Acoustic Felt Wood Grain



Weathered Oak



Chestnut



Oak



Light Teak

Please note that colors may vary depending on screen settings. For an accurate representation, please request a sample.