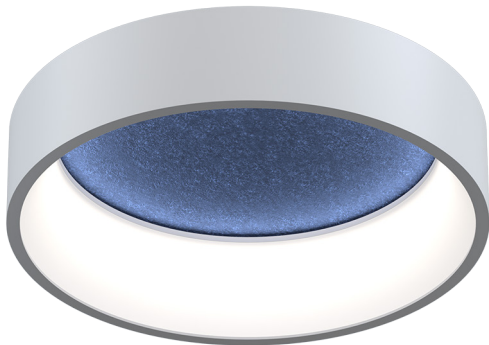


Loop STFU TP 18in

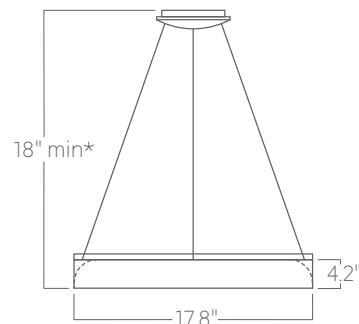


For noise reduction and architectural lighting in one, the STFU series offers a wide range of acoustic felt colors, shapes, profiles, and mounting options.

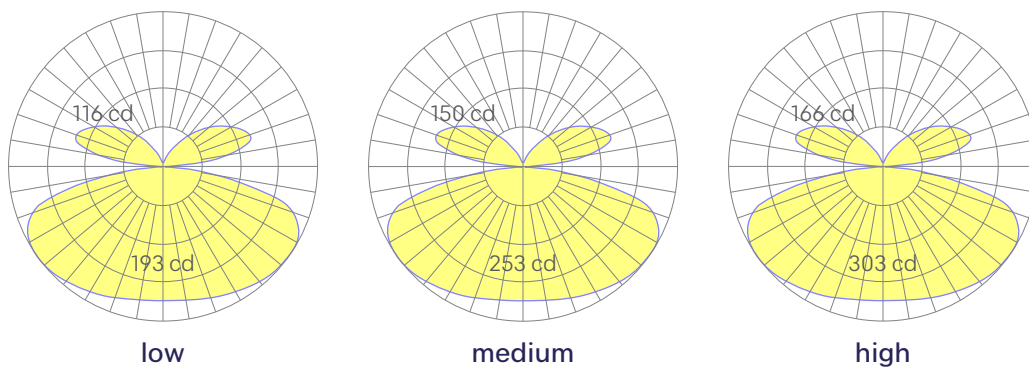
Features

- 24 specifiable colors of recycled PET acoustic felt
- Noise Reduction Coefficient of .75 with a Class-A fire rating
- Fire Spread Index of 0 & Smoke Development Index of 200
- Power Over Wire system eliminates power cord
- Aluminum core LED boards, specifiable output
- Specifiable color temperature. CRI > 90, R9 > 50
- Specifiable, dimmable drivers or PoE
- 5 Year, 50,000 hour warranty, damp location rated
- WELL Building Standard compatible [learn more](#)

Dimensions



Optics



Representative distribution and peak candela. For other options see order information or IES files [here](#). IES files and output values are based on white STFU; colored STFU will affect output.

Loop STFU TP 18in

Ordering Information

For each option group below specify one option. If you don't see your preferred option listed, contact us for [help](#).

1	Fixture ID	2	Length	3	Color Temperature	4	Output
	LOOP.STFU.TP.18	18	18-inch nominal diameter	27 30 35 40	2700K/90 CRI 3000K/90 CRI 3500K/90 CRI 4000K/90 CRI	LOW MED HIGH CUST	Low output Medium output High output Custom output <small>Specify watts or lumens.</small>
5	Voltage	6	Driver	7	Housing Finish	8	Felt Finish
	UNV Universal (120/277V) 347V 347V	DB Standard 0-10V 1% DB.1% 0-10V 0.1% PoE Power over Ethernet TRI Forward phase LDE1 Lutron Digital EcoSystem DALI DALI-2 driver DMX DMX512 <small>All DMX drivers set to default address 001 and provided in remote enclosers. Contact us for other addressing needs.</small> JA8 JA8 compliant 1% dimming	W White BLK Black SLV Silver CC Custom color See finish options here	FW White felt FBLK Black felt FGRY Grey felt F/ Any available felt color <small>See options on page 4</small>			
9	Mounting	10	Optics	11	Sensors/Controls	12	Circuit
	ACP.M Power over aircraft cable <small>One canopy per suspension point; Drivers provided in remote enclosure.</small> ACP.C Power over aircraft cable <small>Single canopy at the center.</small>	SD Standard diffuser	NA None ACM Acuity nLight- module only CCS Casambi module AWN.R Lutron Athena wireless node OTHER Consult factory	NA None EMPCK Emergency battery pack EMCKT Emergency circuit <small>May require additional power feeds.</small> DAYCKT Daylight circuit <small>May require additional power feeds.</small>			
13	Options						
	NA None FC Flat Canopy <small>Only available with ACP.C mounting. Drivers provided in remote enclosers.</small> STD White canopy/cord/stem CAN.X Canopy + color See finish options here						

Performance

Output ¹	Watts	Lumens	LPW
Low	17	1383	81
Medium	23	1816	79
High	29	2176	75

¹Based on a typically configured 90 CRI, 3500K luminaire using one driver.
Custom outputs available. Please consult factory.
For 4000K multiply by 1.05; for 3000K, 0.9; for 2700K, 0.92.
For Warm Dim multiply by .80.



Wiring diagrams, PoE and sensor information
Click or Scan

Loop STFU TP 18in

Drivers & Electrical

Our Power Over Wire system delivers power to the luminaire via suspension cables, eliminating a separate power feed. For ACPM mounting, drivers are provided in remote enclosures. Drivers are housed in the luminaire canopy or in factory supplied remote enclosures*. All drivers are dimmable.

*See order information for more details. For remote driver box sizes, click [here](#).

Emergency Back-Up

Emergency, battery-powered drivers are available. Emergency circuits for use with building generators are also available.

PoE (Power over Ethernet)

Compatible with virtually all PoE systems including Molex Coresync, Igor, Smartengine, Platformatics, and NuLED SPICEbox.

Consult factory for systems not listed. See [here](#) for more info.

Weight

7 lbs

Optics

Custom opal lens provides excellent diffusion, high transmission, and no LED imaging.

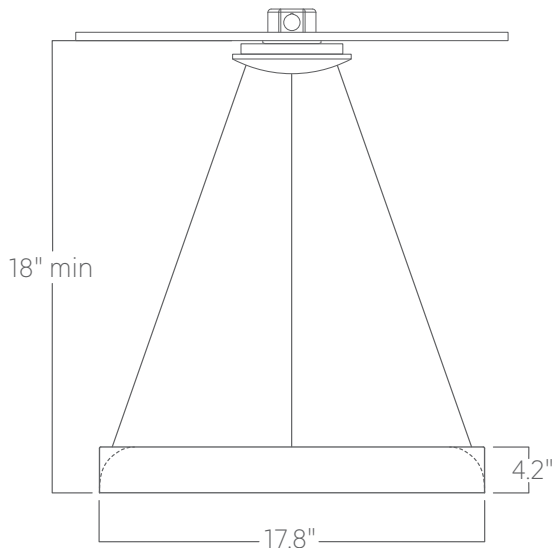
Construction

Die-formed, heavy gauge rolled steel.

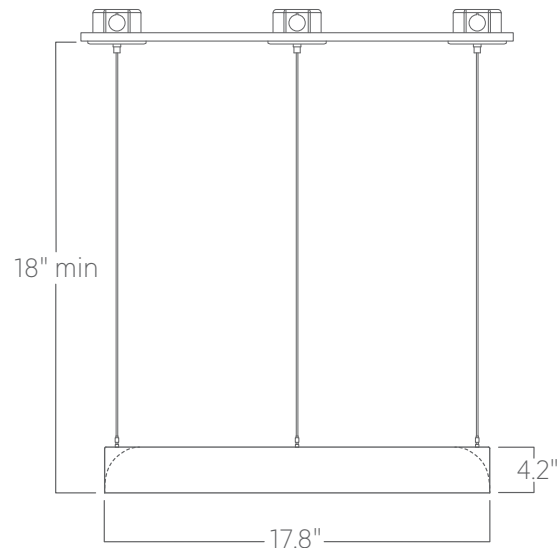
Finishes

All luminaires are finished in high quality polyester powder coating. Acoustic material is made of post-consumer recycled PET felt.

Mounting Options



**Power over aircraft cable
(Single canopy at the center)**



**Power over aircraft cable
(Individual susp. points,
remote driver required)**

Loop STFU TP 18in

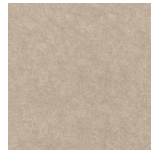
Acoustic Felt Colors



White



Marbled Grey



Taupe



Dark Khaki



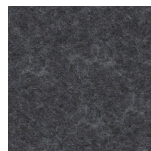
Stone



Spice



Mocha



Grey



Charcoal



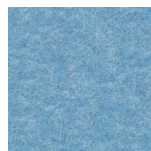
Black



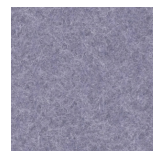
Sailor Blue



True Blue



Sky Blue



Periwinkle



Pink Panther



Purple Orchid



Violet



Maroon



Red Rose



Pumpkin



Sunshine



Lime

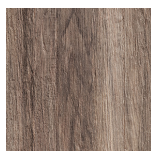


Emerald



Sage

Acoustic Felt Wood Grain



Weathered Oak



Chestnut



Oak



Light Teak

Please note that colors may vary depending on screen settings. For an accurate representation, please request a sample.