



DATE

JOB NAME

TYPE

Features	Applications
<ul style="list-style-type: none"> Indoor / outdoor, wet applications Enclosed surface luminaires Vandal resistant fixtures are ADA compliant. 	<ul style="list-style-type: none"> Common walkways Stairwells Parking Garages

Series	Style/Housing	Lamps	Watts	Guard	Color	Finish
AP	RS-ROUND SHALLOW RD-ROUND DEEP OS-OVAL SHALLOW OD-OVAL DEEP	1 2	13W CFL 18W CFL 26W CFL 32W CFL 42W CFL	OG—Open CG—Cross EG—Eyelid	W—White B—Bronze BL—Black T—Titanium	CR—Clear Ribbed F—Frosted WT—White Translucent

Ordering Example: AP-RD-1-26W-OG-W-F

Details

Application Features: Architecturally stylish-rugged construction, vandal resistant fixture. Metal housing and parts. Extruded EDPM ribbed, rubber gasketing seals the lens and the fixture interior from moisture, dirt and insects. Lens guards (one piece-injection molded) feature DEEP HOLES to allow rain to drain from the face of the fixture. Level bar / "top" indicator for easier installation.

Construction:Wet location, die cast marine grade aluminum housing with threaded / plugged conduit entry holes. Tamper-proof fasteners (Torx T-15 pin-in-head stainless steel screws) and nylon washers.

Finish: Pre-painted rust inhibitor process.

Electrical: Electronic ballasts are UL listed, Class P, thermally protected, Universal voltage, 50/60 Hz.

Approvals: Union made, UL Listed, and manufactured in the US. Shallow housing units are ADA compliant.

Options: White, Bronze or Titanium finishes, with Clear Ribbed, Frosted or White Translucent lenses. Available with 1 light emergency pack.

Optics: One piece, injection molded, polycarbonate lens – 0.125" thickness (Lens retaining clips provided).



AP- Round
Color- Black
Lens- Frosted
Lens Protector-
Cross Guard



AP- Round
Color- Black
Lens- White Translucent
Lens Protector
Eyelid Guard



AP- Round
Color- Black
Lens- Clear Ribbed
Lens Protector
Open Face



AP- Oval
Color- Black
Lens- Clear Ribbed
Lens Protector
Cross Guard

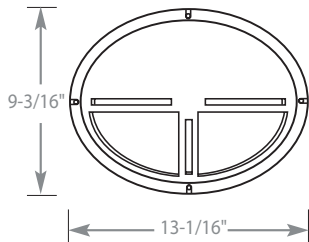


AP- Oval
Color- Black
Lens- Clear Ribbed
Lens Protector-
Eyelid Guard
Mounting Horizontal

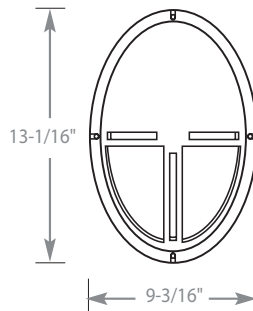


AP- Oval
Color- Black
Lens- Clear Ribbed
Lens Protector-
Eyelid Guard
Mounting Vertical

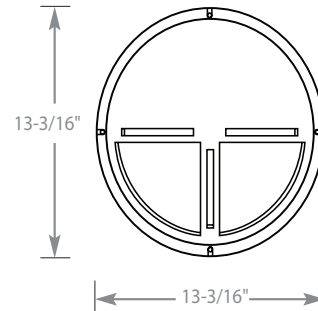
Oval - Horizontal



Oval - Vertical



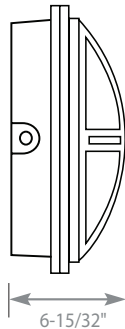
Round



Shallow



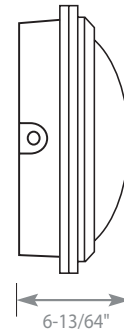
Deep



Shallow



Deep



*** ADA COMPLIANT