

Loopita 4ft direct

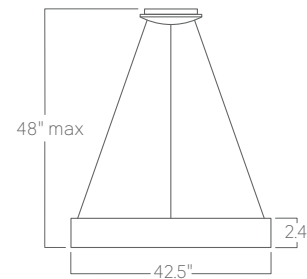


Our Performance Decorative luminaires offer a variety of decorative forms and sizes suitable for any modern space.

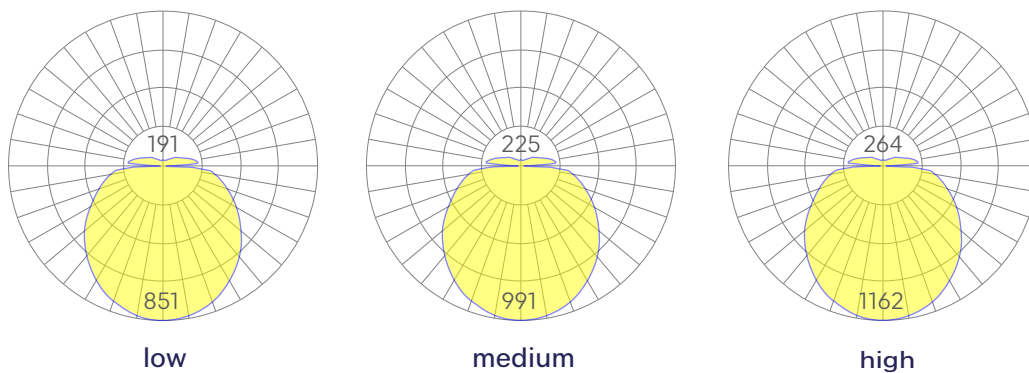
Features

- Power Over Wire system eliminates power cord
- Indirect and direct light distribution
- Specifiable color temperature. CRI > 90, R9 >50
- Custom colors and wood finishes finishes available
- Specifiable dimmable drivers or PoE
- 5 Year, 50,000 hour warranty
- WELL Building Standard compatible [learn more](#)

Dimensions



Optics



Representative distribution and peak candela. For other options see order information or IES files [here](#).

Loopita 4ft direct

Ordering Information



Example: LOOPITA - 8 - 35 - MED - UNV - DB - W - AC - SD - CCS - DAYCKT - NA

| Fixture ID <input type="text" value="1"/> | Length <input type="text" value="2"/> | Color Temperature <input type="text" value="3"/> | Output <input type="text" value="4"/> |
|---|--|---|---|
| LOOPITA | 4 4 ft | 27 2700K/90 CRI 30 3000K/90 CRI 35 3500K/90 CRI 40 4000K/90 CRI | LOW Low output MED Medium output HIGH High output CUST Custom output ¹ |
| Voltage <input type="text" value="5"/> | Driver <input type="text" value="6"/> | Finish <input type="text" value="7"/> | Mounting <input type="text" value="8"/> |
| UNV Universal (120/277V) 347V 347V | DB ¹ Standard 0-10V 1% DB.1% ² 0-10V 0.1% PoE ³ Power over Ethernet | W White BLK Black CC ¹ Custom Color CWF ¹ Custom Wood Finish | ACP Power Over Aircraft Cable |
| <small>*Must use DB Driver</small> | <small>¹Driver housed in canopy. ²Driver housed in remote enclosure. ³Housing varies. Consult factory</small> | <small>¹Custom Color. See finish options here. White SJ cord and canopy provided, for other requests, see section 12 to specify.</small> | <small>White canopy provided. Must specify other requests.</small> |
| Optics <input type="text" value="9"/> | Sensors/Controls <input type="text" value="10"/> | Circuit <input type="text" value="11"/> | Options <input type="text" value="12"/> |
| SD Standard Diffuser | NA None ACM Acuity nLight Module Only CCS Casambi Module | NA None EM120V Emergency Pack EM277V Emergency Pack EMCKT Emergency Circuit DAYCKT Daylight Circuit | NA None CAN-X ¹ Canopy + Color SJ-X ² SJ Cord + Color FC ³ Flat Canopy |
| | <small>Consult factory for other options.</small> | | <small>¹White SJ cord and canopy provided, use above nomenclature for other requests. ²See finish options here. ³Remote drivers only</small> |

Performance

| Output ¹ | Watts | Lumens |
|---------------------|-------|--------|
| Low | 40 | 3629 |
| Medium | 48 | 4229 |
| High | 58 | 4957 |

¹Based on a typically configured 90 CRI, 3500K luminaire using one driver.

Custom outputs available. Please consult factory.
For 4000K multiply by 1.05; for 3000K 0.96; for 2700K, 0.92

Technical Information



click [here](#) or scan QR code

Wiring diagrams, PoE and sensor details

Modification date: April 2022

Page 2 of 3

Loopita 4ft direct

Drivers & Electrical

Our Power Over Wire system delivers power to the luminaire via suspension cables, eliminating a separate power feed. Drivers are housed in the luminaire canopy or in factory supplied remote enclosures¹. All drivers are dimmable.

¹See order information for more details.

Emergency Back-Up

Emergency, battery-powered drivers are available. Emergency circuits for use with building generators are also available.

PoE (Power over Ethernet)

Compatible with virtually all PoE systems including Molex Coresync, Igor, Smartengine, Platformatics, and NuLED SPICEbox. Consult Factory for systems not listed, See [here](#) for more info.

Weight

14 lbs

Mounting

Optics

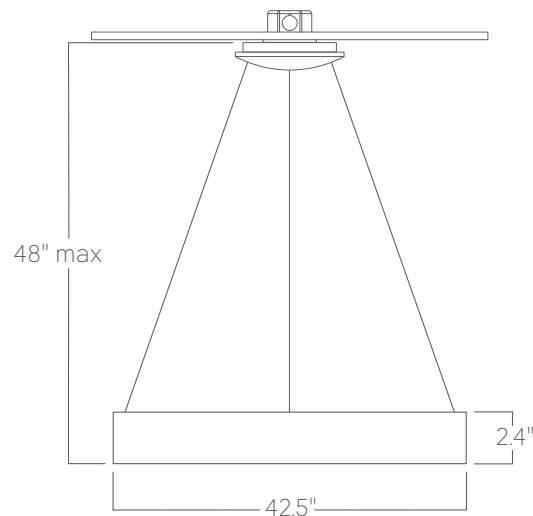
Custom opal lens provides excellent diffusion, high transmission, and no LED imaging.

Construction

Die formed, heavy gauge rolled steel.

Finishes

All luminaires are finished in high quality polyester powder coating. Our standard color is white. Any RAL color may be specified.



Power over aircraft cable