

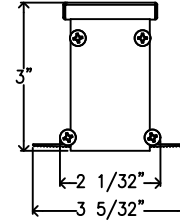


Risk of fire and electrical shock. In accordance with national local building and electrical codes, CORONET lighting fixtures must be installed by a qualified electrician. Disconnect power at electrical panel before installing or servicing.

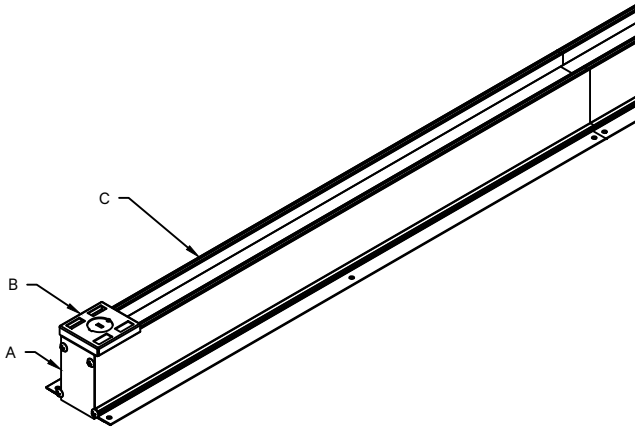
PART LIST

- A-End Plate
- B-Wire Cover
- C-Extrusion

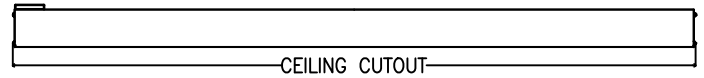
CROSS SECTION VIEW



LEGEND

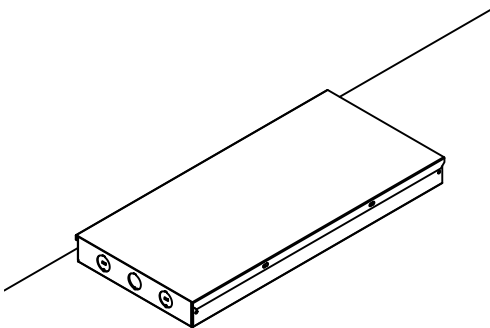


SIDE VIEW



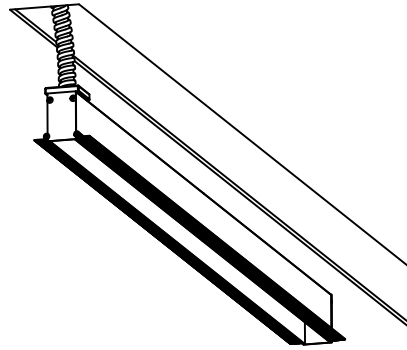
PLEASE REFER TO FACTORY PROVIDED SHOP DRAWINGS FOR ROUGH IN DIMENSIONS

1



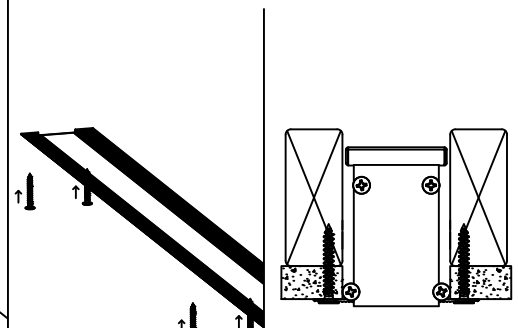
With power disconnected, mount remote driver enclosure near the access panel
note: 30' max from track feed point

2



Run the conduit through the cutout in the ceiling to the remote driver enclosure location

3



Secure fixture to ceiling using standard drywall screws
note: Ensure fixture is screwed into secure blocking

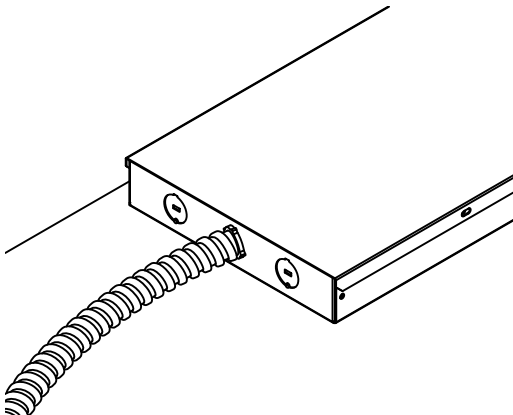
*NOTE: JUNCTION BOXES MUST BE SOLIDLY FIXED TO THE CEILING AND ATTACHED TO THE STRUCTURAL MEMBER INSIDE THE CEILING BEFORE PROCEEDING WITH INSTALLATION.

INSTALLATION GUIDE-RECESSED NO TRIM



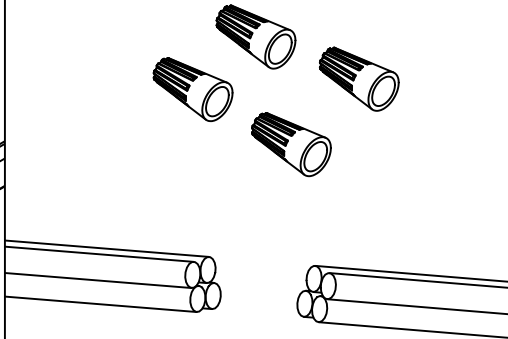
Risk of fire and electrical shock. In accordance with national local building and electrical codes, CORONET lighting fixtures must be installed by a qualified electrician. Disconnect power at electrical panel before installing or servicing.

4



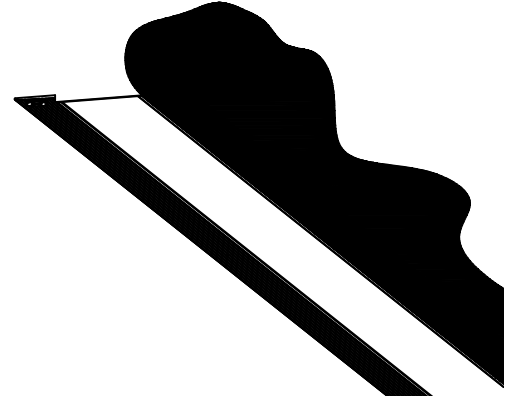
Insert the conduit from fixture into standard knock out hole of remote enclosure

5



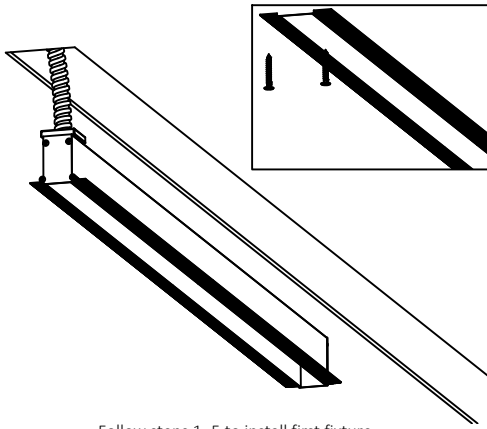
Connect wires from conduit to drivers inside remote enclosure (wire nuts not provided)

6



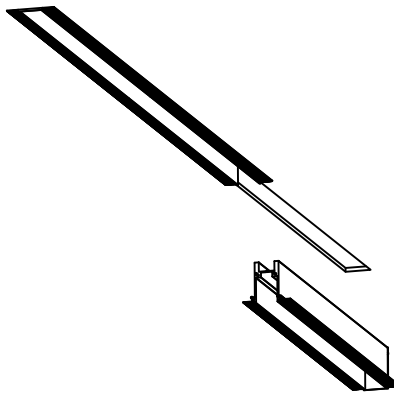
Once the fixture is secure, and tested to ensure it is in working condition, spackle up to side of fixture covering the flange and screws

7 Continuous Runs



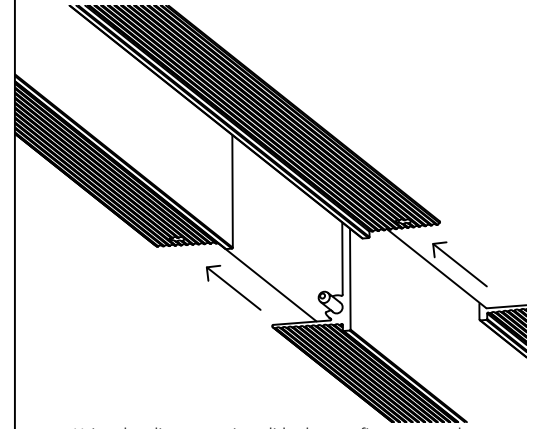
Follow steps 1- 5 to install first fixture

8



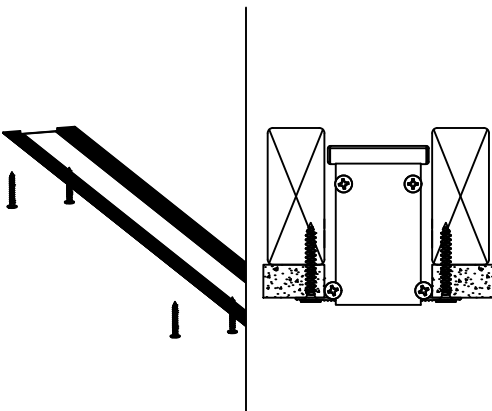
Insert second fixture into ceiling cutout

9



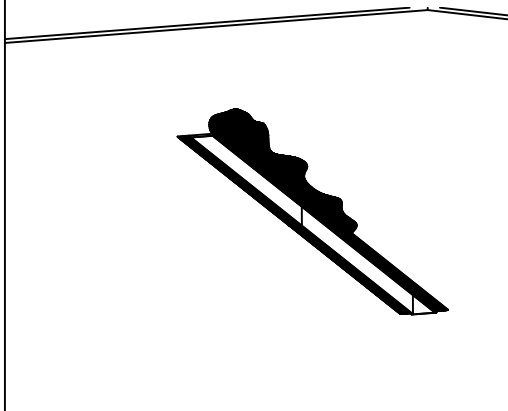
Using the alignment pins, slide the two fixtures together

10



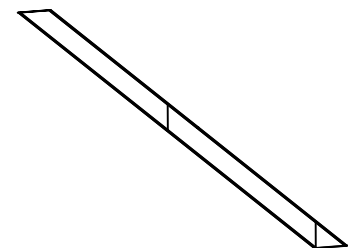
Secure second fixture into ceiling using step 3

11



Once the fixtures are secure, and tested to ensure it is in working condition, spackle up to side of fixture covering the flange and screws

12



Restore power to fixture, insert Magneto modules

NOTE: JUNCTION BOXES MUST BE SOLIDLY FIXED TO THE CEILING AND ATTACHED TO THE STRUCTURAL MEMBER INSIDE THE CEILING BEFORE PROCEEDING WITH INSTALLATION.



Risk of fire and electrical shock. In accordance with national local building and electrical codes, CORONET lighting fixtures must be installed by a qualified electrician. Disconnect power at electrical panel before servicing.

GENERAL INSTALLATION CONSIDERATIONS - See submittal drawings for job specific data.

Operating Temperature.....-40°C to 50°C
Operating Voltage.....110VAC-277VAC, 50Hz-60Hz
Weight..... lb/ft
Dimensions.....See submittal drawings

- Installation by a certified electrician only.
- Read and understand the installation instructions before attempting to install or use the fixture.
- Only use fixtures with voltage for which it is rated. Do not exceed the specified voltage and current input.
- Do not use the fixture if the housing, lens, or power cable is damaged.
- Ensure that the main power supply is off before installing or wiring the fixture.
- Method of wire connection to be determined by local electrical codes and regulations.
- The external flexible cable of this luminaire cannot be field replaced; if the cord is damaged, contact Coronet.
- The light source contained in this luminaire shall only be replaced by the lighting manufacturer or his service agent or a similar qualified person.

NOTE: JUNCTION BOXES MUST BE SOLIDLY FIXED TO THE CEILING AND ATTACHED TO THE STRUCTURAL MEMBER INSIDE THE CEILING BEFORE PROCEEDING WITH INSTALLATION.