

INSTALLATION GUIDE-RECESSED GRID

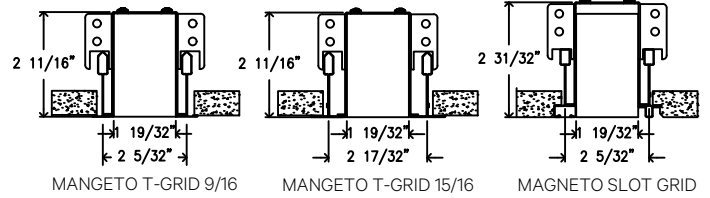


Risk of fire and electrical shock. In accordance with national local building and electrical codes, CORONET lighting fixtures must be installed by a qualified electrician. Disconnect power at electrical panel before installing or servicing.

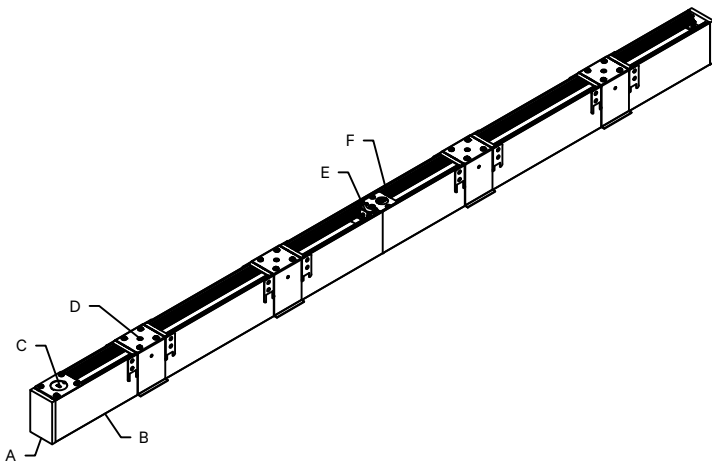
PART LIST

- A-End Plate
- B-Extrusion
- C-Wire Cover
- D-Grid Bracket
- E-Connecting Bracket
- F-Connecting Bracket

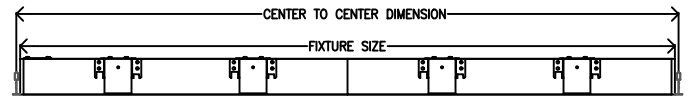
CROSS SECTION VIEW



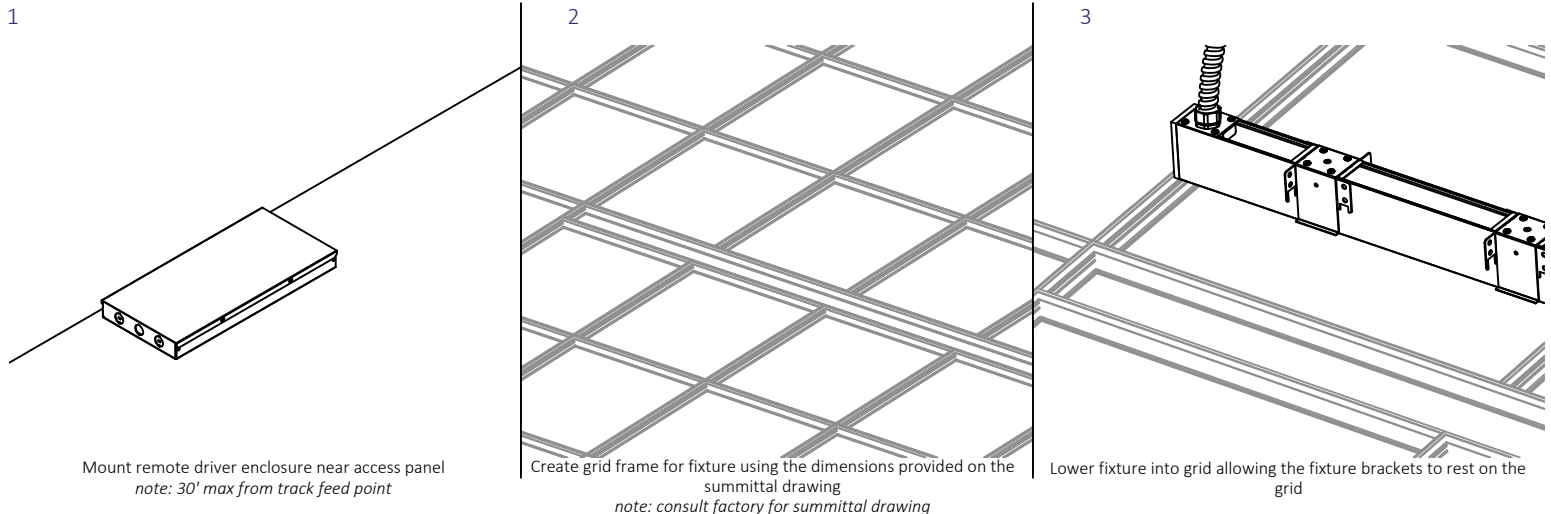
LEGEND



SIDE VIEW



PLEASE REFER TO FACTORY PROVIDED SHOP DRAWINGS FOR GRID CENTER TO CENTER DIMENSIONS



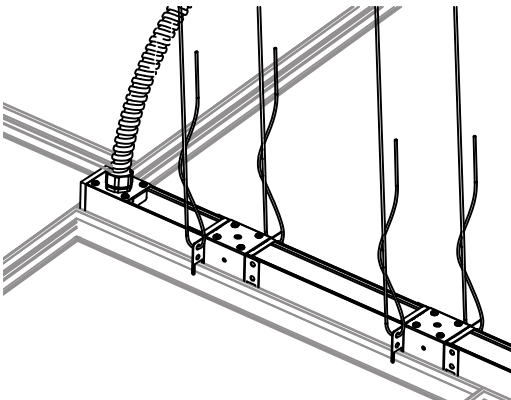
*NOTE: JUNCTION BOXES MUST BE SOLIDLY FIXED TO THE CEILING AND ATTACHED TO THE STRUCTURAL MEMBER INSIDE THE CEILING BEFORE PROCEEDING WITH INSTALLATION.

INSTALLATION GUIDE-RECESSED GRID



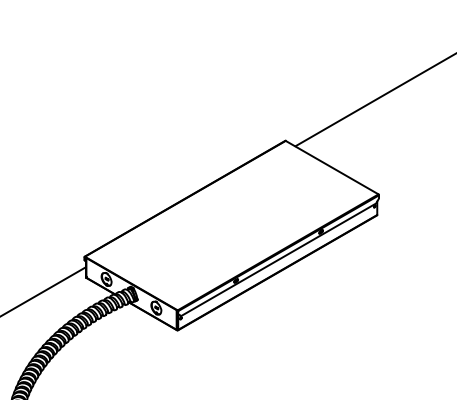
Risk of fire and electrical shock. In accordance with national local building and electrical codes, CORONET lighting fixtures must be installed by a qualified electrician. Disconnect power at electrical panel before installing or servicing.

4



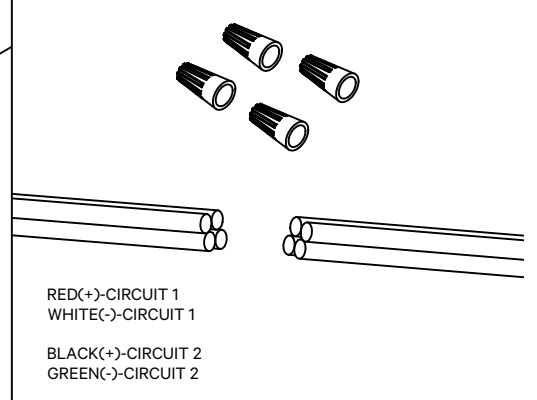
Use wire ties to secure fixture to the structure above (wire ties not provided)

5



Run conduit from fixture to remote driver location

6

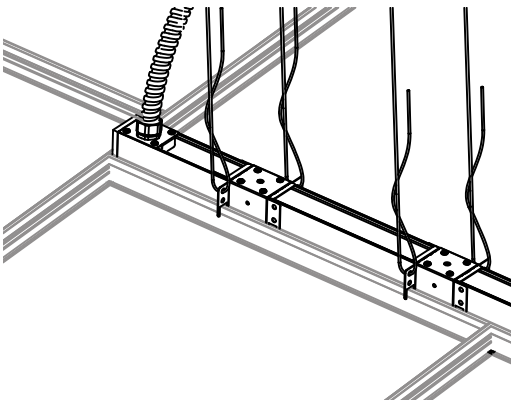


RED(+)-CIRCUIT 1
WHITE(-)-CIRCUIT 1

BLACK(+)-CIRCUIT 2
GREEN(-)-CIRCUIT 2

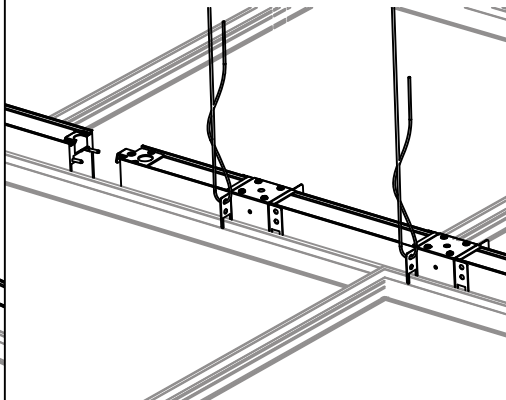
Connect wires from conduit to drivers inside remote enclosure (wire nuts not provided)

7 Continous run



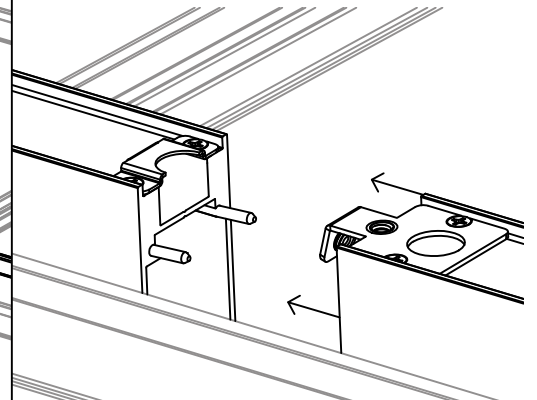
Follow steps 1-6 to mount the beginning fixture into ceiling

8



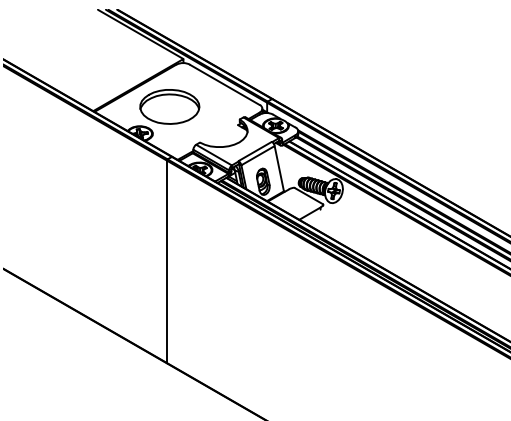
Follow steps 3 & 4 to mount the second fixture into ceiling

9



Using the alignment pins, slide the two fixtures together

10



Secure the two fixtures together using #6-32 screw

GENERAL INSTALLATION CONSIDERATIONS - See submittal drawings for job specific data.

Operating Temperature.....-40°C to 50°C
Operating Voltage.....110VAC-277VAC, 50Hz-60Hz
Weight..... 3 lb/ft
Dimensions.....See submittal drawings

- Installation by a certified electrician only.
- Read and understand the installation instructions before attempting to install or use the fixture.
- Only use fixtures with voltage for which it is rated. Do not exceed the specified voltage and current input.
- Do not use the fixture if the housing, lens, or power cable is damaged.
- Ensure that the main power supply is off before installing or wiring the fixture.
- Method of wire connection to be determined by local electrical codes and regulations.
- The external flexible cable of this luminaire cannot be field replaced; if the cord is damaged, contact Coronet.
- The light source contained in this luminaire shall only be replaced by the lighting manufacturer or his service agent or a similar qualified person.

NOTE: JUNCTION BOXES MUST BE SOLIDLY FIXED TO THE CEILING AND ATTACHED TO THE STRUCTURAL MEMBER INSIDE THE CEILING BEFORE PROCEEDING WITH INSTALLATION.