

INSTALLATION GUIDE-RECESSED GRID

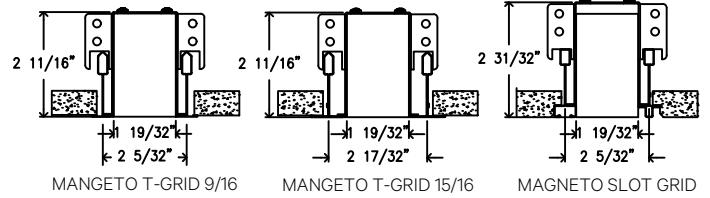


Risk of fire and electrical shock. In accordance with national local building and electrical codes, CORONET lighting fixtures must be installed by a qualified electrician. Disconnect power at electrical panel before installing or servicing.

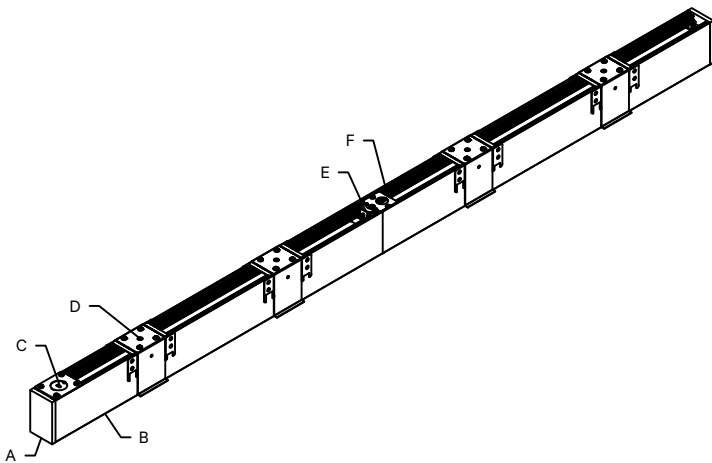
PART LIST

- A-End Plate
- B-Extrusion
- C-Wire Cover
- D-Grid Bracket
- E-Connecting Bracket
- F-Connecting Bracket

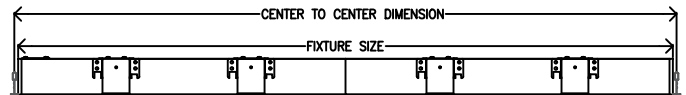
CROSS SECTION VIEW



LEGEND

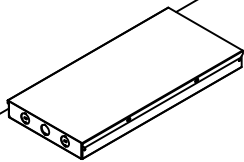


SIDE VIEW



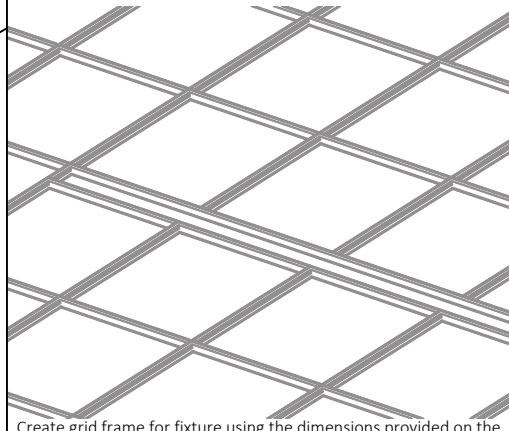
PLEASE REFER TO FACTORY PROVIDED SHOP DRAWINGS FOR GRID CENTER TO CENTER DIMENSIONS

1



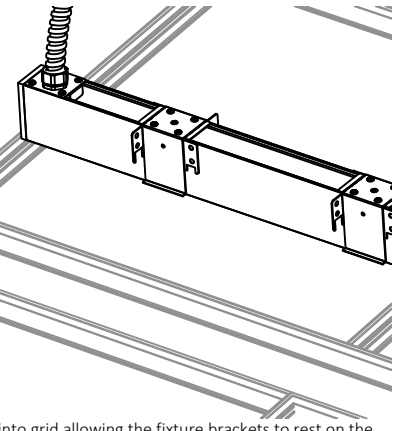
Mount remote driver enclosure near access panel
note: 30' max from track feed point

2



Create grid frame for fixture using the dimensions provided on the submittal drawing
note: consult factory for submittal drawing

3



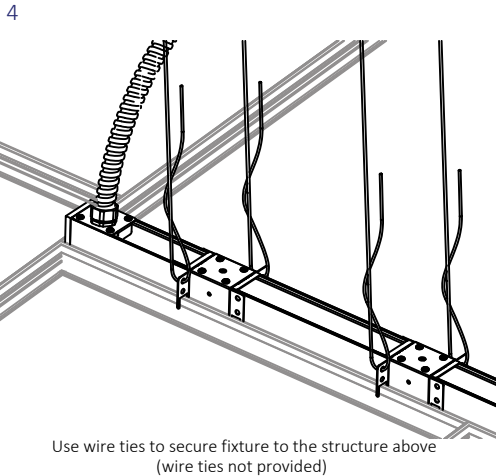
Lower fixture into grid allowing the fixture brackets to rest on the grid

*NOTE: JUNCTION BOXES MUST BE SOLIDLY FIXED TO THE CEILING AND ATTACHED TO THE STRUCTURAL MEMBER INSIDE THE CEILING BEFORE PROCEEDING WITH INSTALLATION.

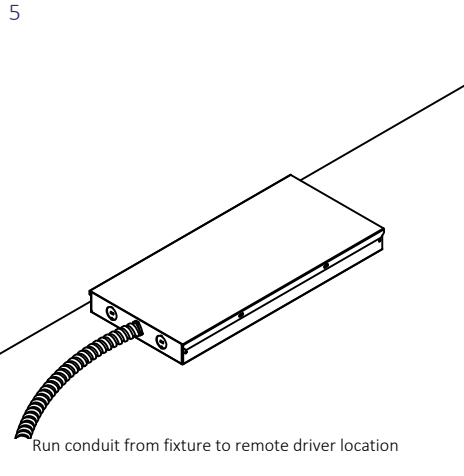
INSTALLATION GUIDE-RECESSED GRID



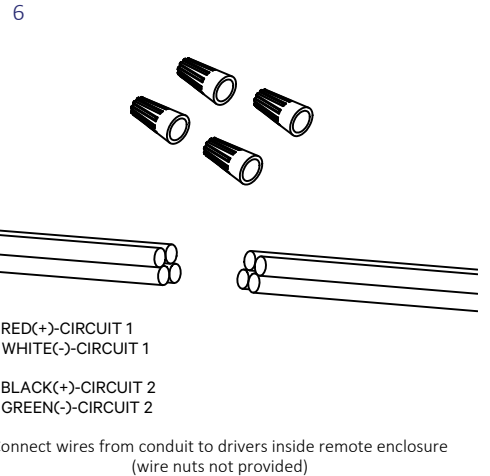
Risk of fire and electrical shock. In accordance with national local building and electrical codes, CORONET lighting fixtures must be installed by a qualified electrician. Disconnect power at electrical panel before installing or servicing.



Use wire ties to secure fixture to the structure above (wire ties not provided)



Run conduit from fixture to remote driver location

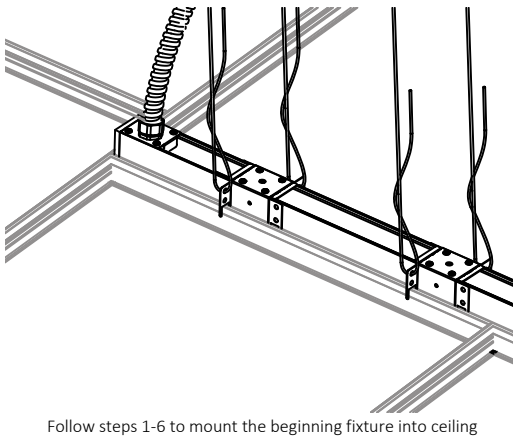


RED(+)-CIRCUIT 1
WHITE(-)-CIRCUIT 1

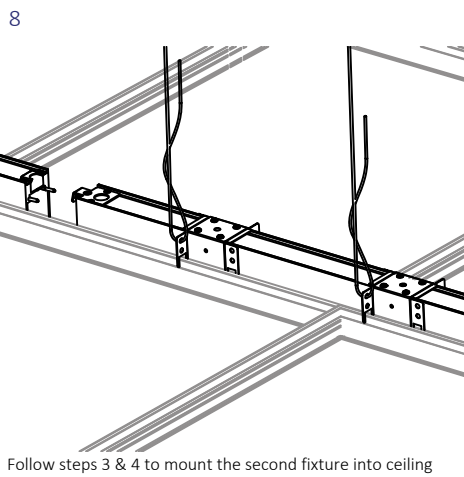
BLACK(+)-CIRCUIT 2
GREEN(-)-CIRCUIT 2

Connect wires from conduit to drivers inside remote enclosure (wire nuts not provided)

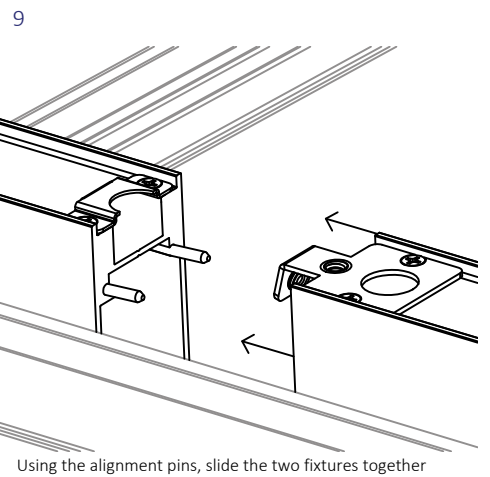
7 Continous run



Follow steps 1-6 to mount the beginning fixture into ceiling

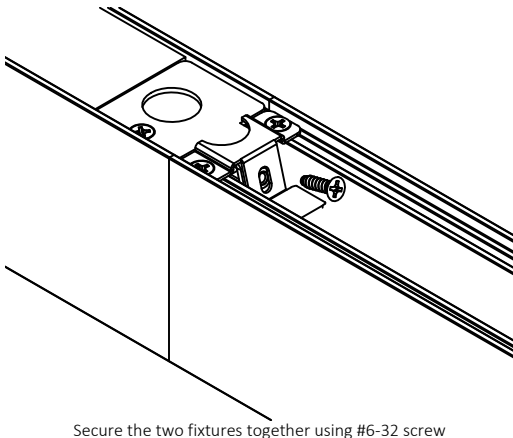


Follow steps 3 & 4 to mount the second fixture into ceiling



Using the alignment pins, slide the two fixtures together

10



Secure the two fixtures together using #6-32 screw

GENERAL INSTALLATION CONSIDERATIONS - See submittal drawings for job specific data.

Operating Temperature.....-40°C to 50°C
 Operating Voltage.....110VAC-277VAC, 50Hz-60Hz
 Weight..... 3 lb/ft
 Dimensions.....See submittal drawings

- Installation by a certified electrician only.
- Read and understand the installation instructions before attempting to install or use the fixture.
- Only use fixtures with voltage for which it is rated. Do not exceed the specified voltage and current input.
- Do not use the fixture if the housing, lens, or power cable is damaged.
- Ensure that the main power supply is off before installing or wiring the fixture.
- Method of wire connection to be determined by local electrical codes and regulations.
- The external flexible cable of this luminaire cannot be field replaced; if the cord is damaged, contact Coronet.
- The light source contained in this luminaire shall only be replaced by the lighting manufacturer or his service agent or a similar qualified person.

NOTE: JUNCTION BOXES MUST BE SOLIDLY FIXED TO THE CEILING AND ATTACHED TO THE STRUCTURAL MEMBER INSIDE THE CEILING BEFORE PROCEEDING WITH INSTALLATION.