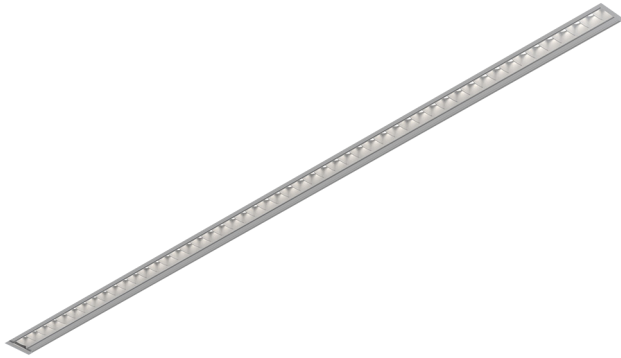


LSR1 Sharp recessed

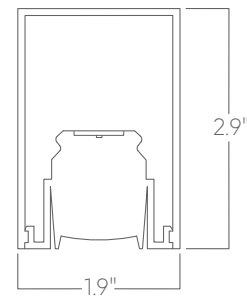


The Sharp Series of architectural luminaires features slim profiles, glare free, beam shaping optical cells and several mounting options. Custom lengths are tailored to suit any modern space.

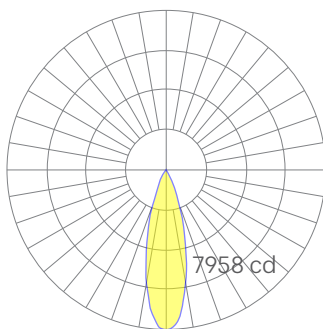
Features

- Extruded, recycled aluminum housing
- Glare free, beam shaping optical cells
- Aluminum core LED boards, specifiable optics
- Specifiable color temperature. CRI > 90, R9 >50
- Custom finishes available
- Specifiable dimmable drivers or PoE
- 5 Year, 50,000 hour warranty, damp location rated
- Compatible with all wood ceilings
- WELL Building Standard compatible [learn more](#)

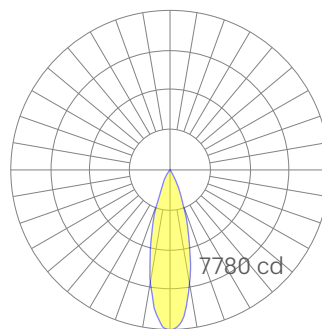
Dimensions



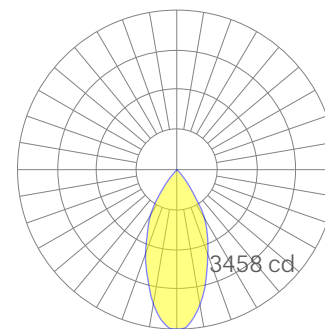
Optics



spot



flood



wide flood

Representative distribution and peak candela. For other options see order information or IES files [here](#).

LSR1 Sharp recessed

Ordering Information



Example: LSR1 SHARP - 8 - 35 - MED - UNV - DB - W - BLK - NT - FL - CCS - DAYCKT - NA

Fixture ID <input type="text" value="1"/>	Length <input type="text" value="2"/>	Color Temperature <input type="text" value="3"/>	Output <input type="text" value="4"/>
LSR1 SHARP	2 2 ft 4 4 ft 8 8 ft X'X" Specify Length <small>*Custom lengths available in 12" nominal increments. All lengths are nominal unless specified to be exact.</small>	27 2700K/90 CRI 30 3000K/90 CRI 35 3500K/90 CRI 40 4000K/90 CRI	LOW Low output MED Medium output HIGH High output CUST Custom output ¹ <small>¹consult factory</small>
Voltage <input type="text" value="5"/>	Driver <input type="text" value="6"/>	Finish <input type="text" value="7a"/> <input type="text" value="7b"/>	Mounting <input type="text" value="8"/>
UNV Universal (120/277V) 347V 347V	DB Standard 0-10V 1% DB.1% 0-10V 0.1% ELV² Reverse Phase 1% (120V only) TRI² Forward phase (120V only) LDE1 Lutron Digital EcoSystem DALI DALI-2 Driver PoE Power over Ethernet. DMX¹ DMX512	7a - Housing W White BLK Black CC¹ Custom Color 7b - Louver W White BLK Black	T 9/16" Tee Grid T15 15/16" Tee Grid SG Slot Grid/Interlude F Flange NT Mud-in Flange PM-X¹ Perimeter Mount WOOD Wood Ceiling <small>provide specifications</small>
<small>*Must use DB Driver</small>	<small>¹Set to default address 001. Contact us for other addressing needs. ²For compatible dimmers, click here.</small>	<small>¹Custom Color. See finish options here. White SJ cord and canopy provided; for other requests, see section 12 to specify.</small>	<small>¹'X' denotes mounting type on opposite side of wall (eg PM-NT). ²Consult Factory</small>
Optics <input type="text" value="9"/>	Sensors/Controls <input type="text" value="10"/>	Circuit <input type="text" value="11"/>	Options <input type="text" value="12"/>
SP 24° beam FL 30° beam WFL 44° beam	NA None ACM Acuity nLight Module Only CCS Casambi Module AWNRR Lutron Athena Wireless Node Module	NA None EMPCK Emergency Battery Pack EMCKT Emergency Circuit DAYCKT Daylight Circuit	NA None WH 6ft whips preinstalled in the remote driver box CP Chicago Plenum
	<small>All control systems are remote. Consult factory for other options.</small>		

Performance

Output ¹	Watts/ft	Lumens/ft
Low	5	419
Medium	7	609
High	10	910

¹Based on a typically configured 90 CRI, 3500K luminaire using one driver.

Custom outputs available. Please consult factory.
 For 4000K multiply by 1.05; for 3000K 0.9%; for 2700K, 0.92.

Technical Information



click [here](#) or scan QR code

Wiring diagrams, PoE and sensor details

Modification date: July 2023

LSR1 Sharp recessed

Drivers & Electrical

Remote, dimmable drivers are supplied in enclosures.
For remote driver box sizes, click [here](#).

Emergency Back-Up

For fixtures three-feet or longer, a 4W remote emergency driver may be wired to 4ft sections. 7W, 10W, and 12W drivers are also available.
Emergency circuits for use with building generators are also available.

PoE (Power over Ethernet)

Compatible with virtually all PoE systems including Moxel Coresync, Igor, Smartengine, Platformatics, and NuLED SPICEbox.
Consult Factory for systems not listed, See [here](#) for more info.

Finishes

All luminaires are finished in high quality polyester powder coating.
Our standard color is white. Any RAL color may be specified.

Weight

6 lbs per foot

Optics

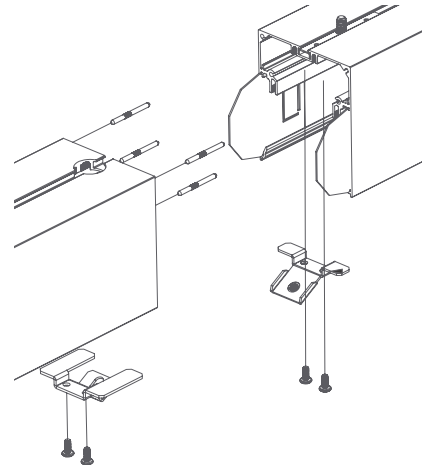
Glare free, beam shaping optical cells.
Access inside the fixture isn't available after baffles are installed.
For no trim or flanged fixtures, the baffle is shipped separately from the main fixture, and is installed after the main one is.

Construction

Extruded, recycled aluminum housing with formed steel ends.

Joined runs

Runs of any length* may be specified and are comprised of multiple, factory-engineered, joined sections. Individually specified luminaires are not field joinable.
*Custom lengths available in 12" nominal increments

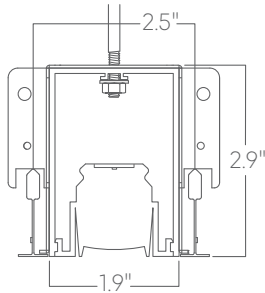


Representative joinery. For product specific details see installation guides or submittal drawings.

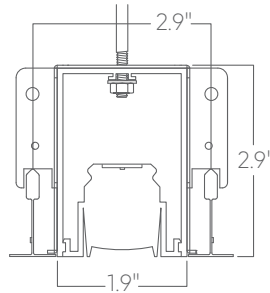
LSR1 Sharp recessed

Mounting Options

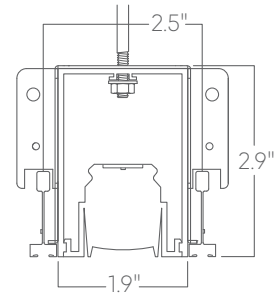
Custom mounting types and ceiling transitions available; consult factory.



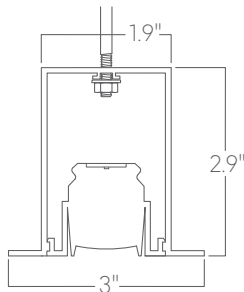
T
9/16" tee grid



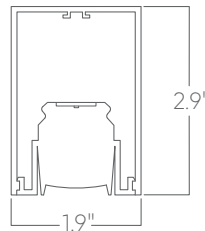
T15
15/16" tee grid



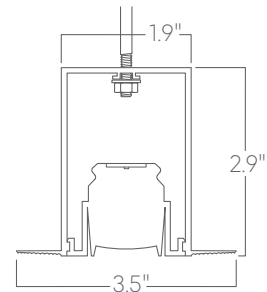
SG
slot grid



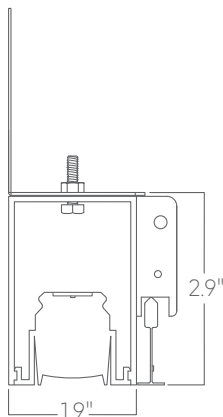
F
flange



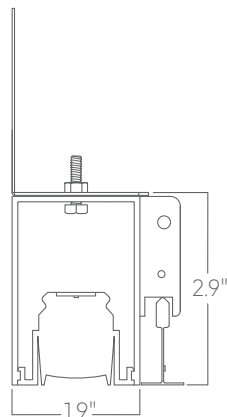
WOOD
provide specificaitons



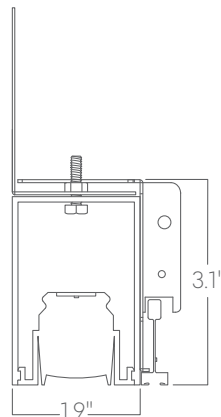
NT
mud-in



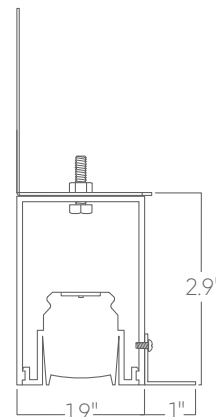
PM-T
perimeter to 9/16" tee grid



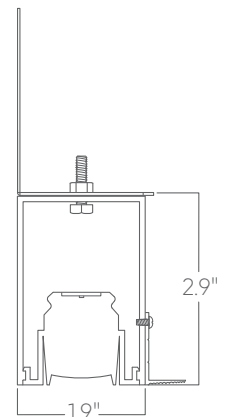
PM-T15
perimeter to 15/16" tee grid



PM-SG
perimeter to slot grid



PM-F
perimeter to flange



PM-NT
perimeter to mud-in