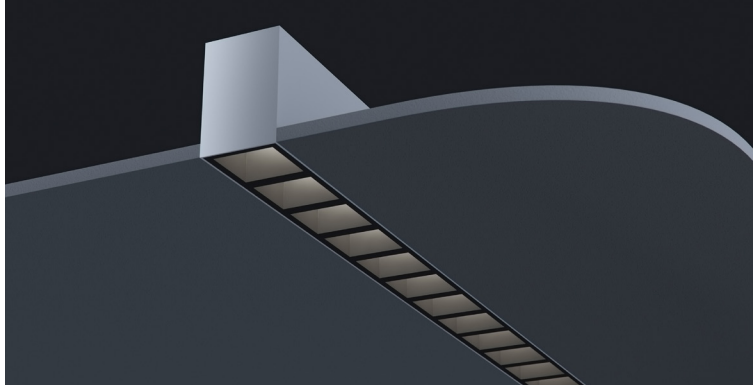




DATE	PROJECT	FIRM	TYPE
------	---------	------	------



Recessed, linear luminaire with small profile using specially designed louver and optical system to control beam spread as well as glare. Grid, Flange, and No Trim mounting options available. For custom mounting consult factory.

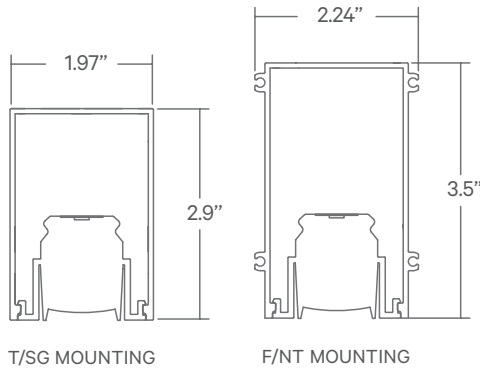
### FEATURES

- Available In Custom Lengths & Long Runs To the Nearest Foot
- Corners & Patterns Available (See Page 2)
- Damp Location Rated
- CRI 90+ Standard
- 5 Year, 50,000 Hour Fixture Warranty
- 2700K, 3000K, 3500K, 4000K & 5000K Color Temperatures Available

<b>APPLICATIONS</b>	Offices, Lobbies, Retail Stores, Classrooms, Reception Areas & Corridors			
<b>CONSTRUCTION</b>	Extruded Aluminum Housing and Gear Tray with Formed Steel Ends.	<b>OPTICS</b>	Extruded High Transmission Satin Acrylic Lens With No LED Imaging. Additional Optics Available.	
<b>WARRANTY</b>	5 Year Limited Warranty (Covers Standard Components)		<b>FINISH</b>	Standard Powder-Coated White With Black Louver. Custom RAL Colors Available
<b>FIXTURE RATINGS &amp; CERTIFICATIONS</b>	Union Made ETL Listed	Made In The USA Damp Location Rated	 	

<b>ELECTRICAL</b>	Integral Driver With 0-10V 10% Dimming Standard. Several Driver Options Available. See Below For Lutron Dimming Information		
	2-Wire Forward Phase; Hi-Lume 1% Dimming, Only Available For 120V		LTEA
	3-Wire EcoSystem; Hi-lume 1% Dimming		L3DA
	Digital EcoSystem; Hi-lume 1% Dimming, 'Soft-on Fade-to-black' (Required for Daylighting)		LDE1
	5 Series EcoSystem; 5% Dimming		LDE5

### EXTRUSION DIMENSIONS



### LED SYSTEM INFORMATION

	System Watts	Delivered Lumens	Delivered Lumens
Standard (LTG1)	7 W/ft	560 Lm/ft	83 LPW
Low (LTG2)	4.75 W/ft	395 Lm/ft	85 LPW
High (LTG3)	9.75 W/ft	753 Lm/ft	77 LPW

Based on a 3500K luminaire using one driver using the 'SP' option. Please consult factory for custom lumen outputs & wattage.

**ORDERING**

1	2	3	4	5	6	7	8	9	10
---	---	---	---	---	---	---	---	---	----

<b>1 - FIXTURE ID</b> LSR1 SHARP	<b>2 - LENGTH</b> 2 - 2 ft 4 - 4 ft 8 - 8 ft X' - Custom (specify length to the nearest foot)  **Patterns available, consult factory	<b>3 - LED SYSTEM</b> LTG1 - Standard LTG2 - Low LTG3 - High C - Custom Output (ie-C550Lm/ft)	<b>4 - COLOR TEMP</b> 27 - 2700K/90 CRI 30 - 3000K/90 CRI 35 - 3500K/90 CRI 40 - 4000K/90 CRI	<b>5 - VOLTAGE</b> UNV - Universal (120/277V)	<b>6 - DRIVER</b> DB - Standard 10% Dimming (0-10V) DB1% - 1% Dimming (0-10V) DB.01% - .01% Dimming (0-10V) LTEA* - Lutron 2-wire 1% Dimming L3DA* - Lutron 3-wire 1% Dimming LDE1* - Lutron Digital EcoSystem LDE5* - 5 Series EcoSystem; 5% Dimming  *Refer to 'Electrical' Information Above
-------------------------------------	---	--	---	---	--

<b>7 - FINISH</b> W - White (Standard)	<b>8 - MOUNTING</b> T - 9/16" Tee Grid T15 - 15/16" Tee Grid SG - Slot Grid/Interlude F - Flange NT - No Trim/Spackle Flange	<b>9 - BEAM SPREAD</b> SP - 24° Beam FL - 30° Beam WIS - 44° Beam	<b>10 - OPTIONS</b> WH - 6 ft Whip, Preinstalled CP - Chicago Plenum EM 120V - Emergency Pack EM 277V - Emergency Pack
---	---	--	--

DATE

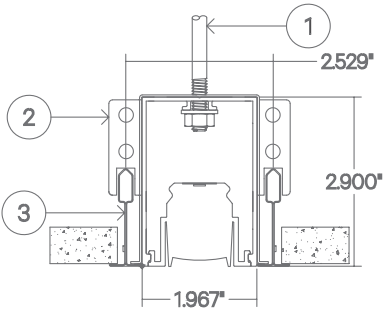
PROJECT

FIRM

TYPE

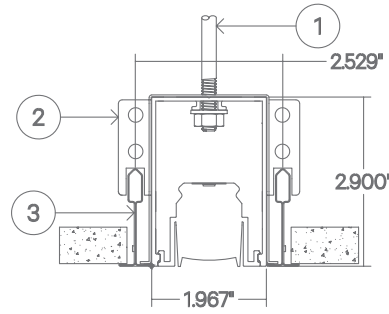
## MOUNTING OPTIONS

T - 9/16" Tee Grid



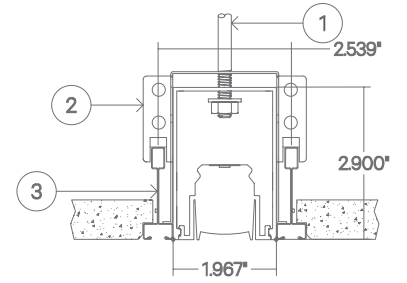
- 1 - Threaded Rod (not supplied)
- 2 - Tee Grid Bracket
- 3 - Tee Grid

T15 - 15/16" Tee Grid



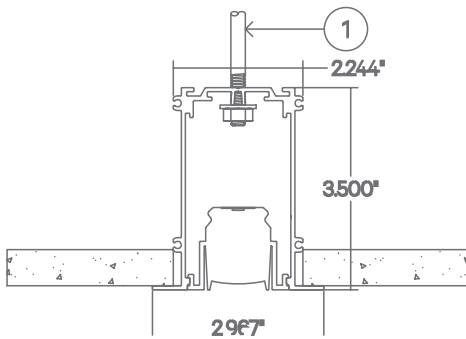
- 1 - Threaded Rod (not supplied)
- 2 - Tee Grid Bracket
- 3 - Tee Grid

SG - Slot Grid/Interlude



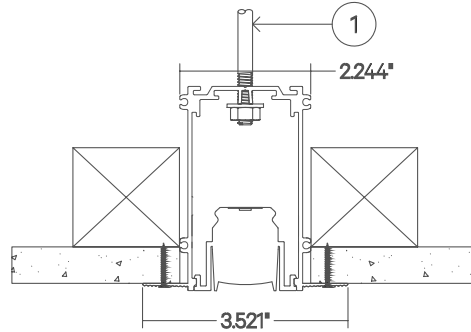
- 1 - Threaded Rod (not supplied)
- 2 - Slot Grid Bracket
- 3 - Slot Grid

F - Flange



- 1 - 1/4-20 Threaded Rod Optional

NT - No Trim/Spackle Flange



- 1 - 1/4-20 Threaded Rod Optional

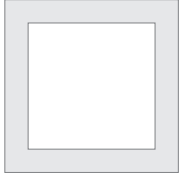
---

DATE	PROJECT	FIRM	TYPE
------	---------	------	------

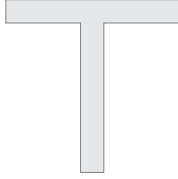
---

**CORNERS & PATTERNS**

Available with illuminated corners, angles, and custom patterns. **Must consult factory for custom corners and patterns.**



Square Patterns



T Patterns