

Fuego

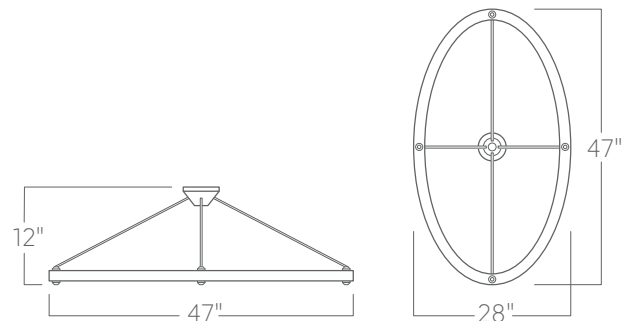


Our Performance Decorative luminaires offer a variety of decorative forms and sizes, suitable any modern space.

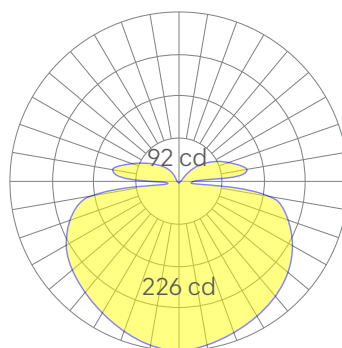
Features

- Power Over Wire system eliminates power cord
- Machine-rolled aluminum
- Specifiable color temperature. CRI > 90, R9 > 50
- Specifiable dimmable drivers or PoE
- 5 Year, 50,000 hour warranty
- Suitable for damp locations
- WELL Building Standard compatible [learn more](#)

Dimensions



Optics



medium

Representative distribution and peak candela. For other options see order information or IES files [here](#).

Ordering Information

For each option group below specify one option. If you don't see your preferred option listed, contact us for [help](#).

1	Fixture ID	2	Size	3	Color Temperature	4	Output
	FUEGO	STD	Standard 2' x 4' size	30	3000K/90 CRI	MED	Medium output
5	Voltage	6	Driver	7	Finish	8	Mounting
	UNV Universal (120/277V) 347V 347V Available for DB driver only	DB Standard 0-10V 1% Driver housed in canopy DB.1% 0-10V 0.1% Driver housed in remote enclosure PoE Power over Ethernet Driver housing varies		Black	Black	PS-X	Pendant stem (12", 18", 24", 36", 48") White canopies and power cord unless option specified in section 12.
9	Optics	10	Sensors/Controls	11	Circuit	12	Options
	SD Standard Diffuser	NA None		NA None EMCKT Emergency circuit May require additional power feeds		STD White canopy + white cord CAN-X Canopy + color See finish options here . SJ-BLK Black cord SJ-WHT White cord	

Performance

Output ¹	Watts	Lumens
Medium	92	1300

¹Based on a typically configured 90 CRI, 3500K luminaire using one driver.
Custom outputs available. Please consult factory.
For 4000K multiply by 1.05, for 3000K, 0.9%, for 2700K, 0.92.

Technical Information



click [here](#) or scan QR code

Wiring diagrams, PoE and sensor details

Drivers & Electrical

Our Power Over Wire system delivers power to the luminaire via suspension cables, eliminating a separate power feed. Drivers are housed in factory supplied remote enclosures*. All drivers are dimmable.

*See order information for more details. For remote driver box sizes, click [here](#).

Emergency Back-Up

Emergency circuits for use with building generators are available.

PoE (Power over Ethernet)

Compatible with virtually all PoE systems including Molex Coresync, Igor, Smartengine, Platformics, and NuLED SPICEbox.

Consult factory for systems not listed. See [here](#) for more info.

Weight

13 lbs

Optics

Custom cast lens provides excellent diffusion, high transmission, and no LED imaging.

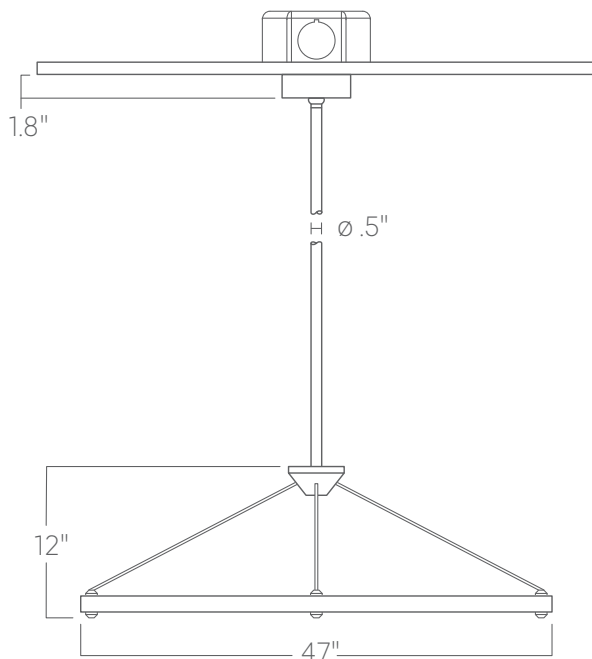
Construction

Machine-rolled aluminum.

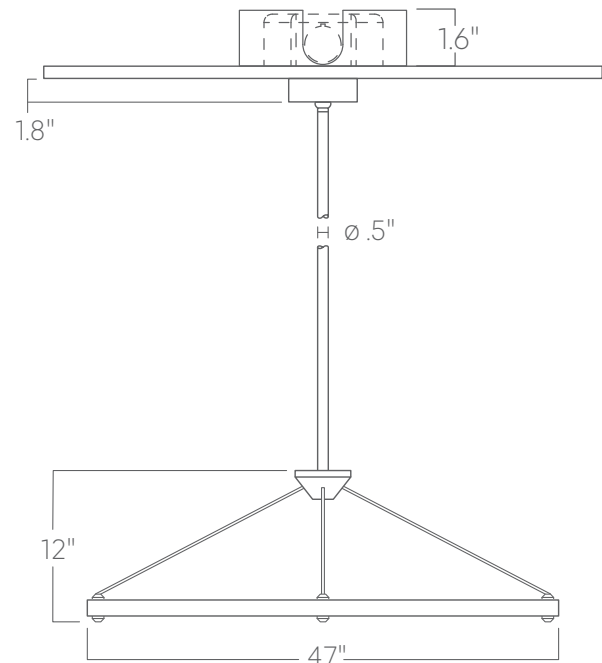
Finishes

All luminaires are finished in high quality polyester powder coating. Our standard color is black.

Mounting Options



Pendant stem



**Aircraft cable conduit canopy
with knockouts**