



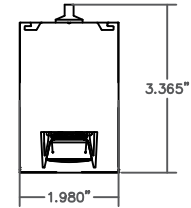
Risk of fire and electrical shock. In accordance with national local building and electrical codes, CORONET Lighting Fixtures must be installed by a qualified electrician. Disconnect power at electrical panel before servicing.

PART LIST

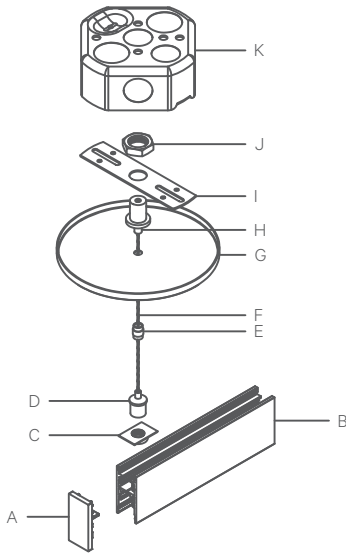
- A – End Plate
- B – Extrusion
- C – Hanging Bracket
- D – Bottom Gripper
- E – Safety Nut
- F – ACP Cable
- G – Canopy
- H – Cross Bar Gripper
- I – Cross Bar
- J – 1/4" IP Threaded Nut

- K – Junction Box (Not Supplied)

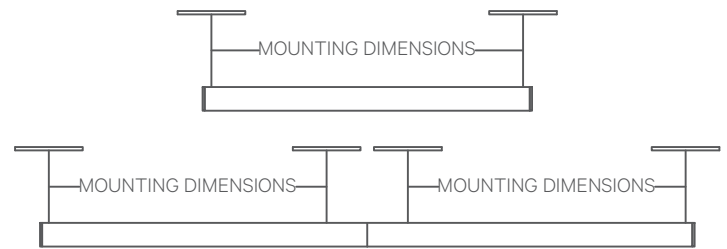
CROSS SECTION VIEW



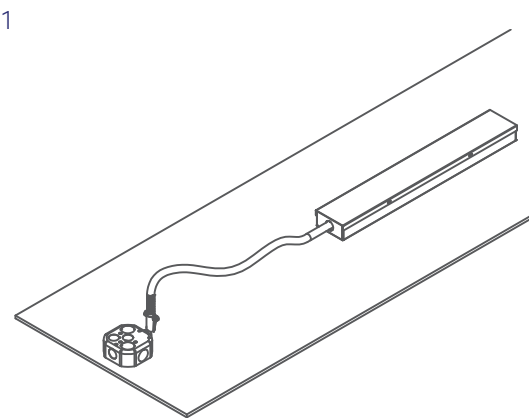
EXPLODED VIEW



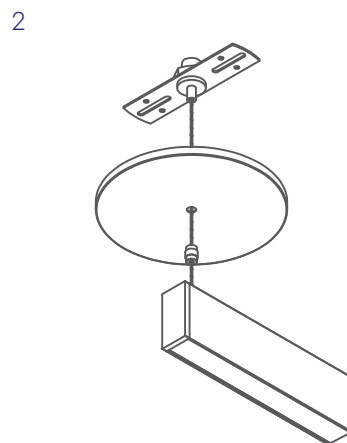
SIDE VIEW



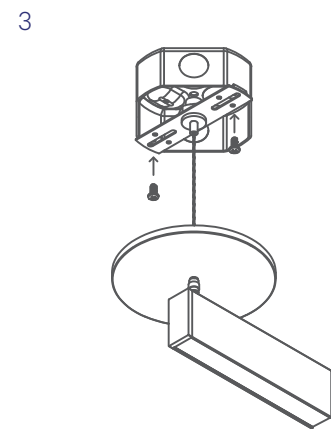
PLEASE CONSULT FACTORY SHOP DRAWINGS FOR SUSPENSION POINTS



With power disconnected, mount remote driver box (Location determined by qualified electrician)



Loosen the safety nut (E) to lower the canopy(G) and gain access to the cross bar(I).



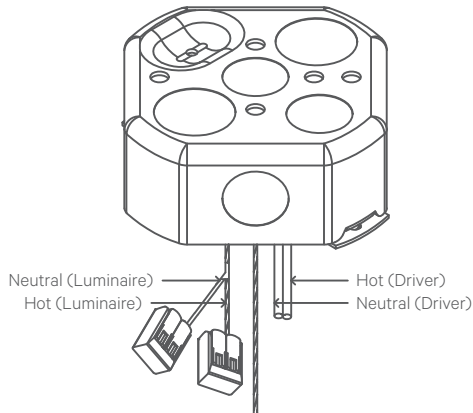
Ensuring the junction box is properly mounted, secure the cross bar using two 8-32 screws (not supplied).

NOTE: JUNCTION BOXES MUST BE SOLIDLY FIXED TO THE CEILING AND ATTACHED TO THE STRUCTURAL MEMBER INSIDE THE CEILING BEFORE PROCEEDING WITH INSTALLATION.



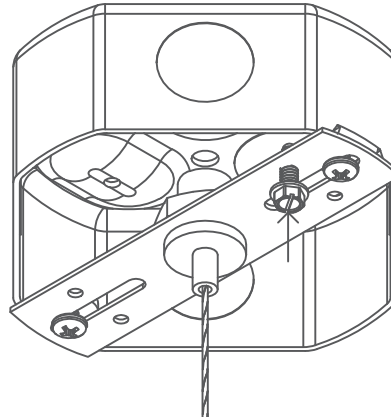
Risk of fire and electrical shock. In accordance with national local building and electrical codes, CORONET Lighting Fixtures must be installed by a qualified electrician. Disconnect power at electrical panel before servicing.

4



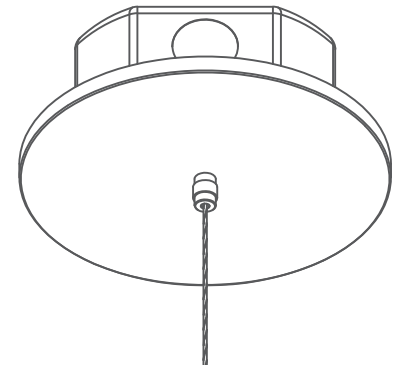
Connect the hot and neutral lines from the fixture to the hot and neutral lines from the driver. Ensure exposed wire will not make contact with metal inside junction box. Use supplied wire quick connects.

5



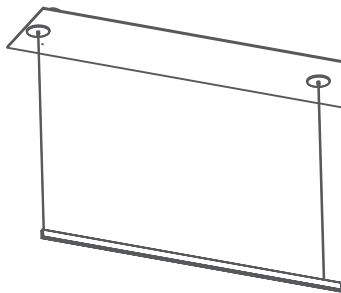
If applicable, connect ground wire using a ground screw. (Not supplied)

6



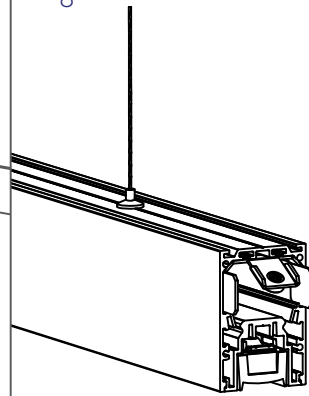
Lift the canopy and secure in place using the gripper safety nut (E).

7 Continuous Rows



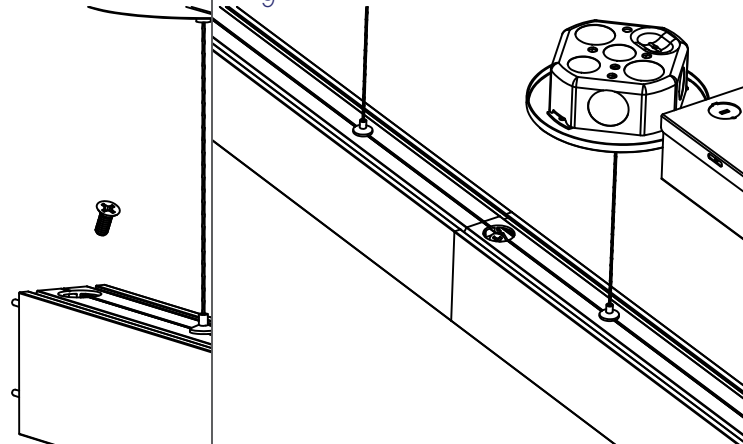
For continuous rows secure first fixture in place using steps 1-5.

8



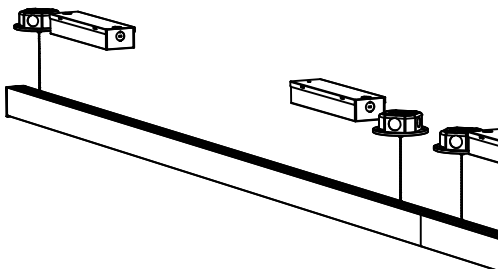
Follow steps 1-5 to mount second fixture in place. Use alignment pins to position the two fixtures correctly.

9



Secure fixtures in place using the 1/4-20 screw that is pre-installed in the fixture.

10



Repeat this process until entire fixture run is installed.

- Installation by a qualified electrician only.
- Read and understand the installation instructions before attempting to install or use the fixtures.
- Only use fixtures with voltage for which it is rated.
- Do not use fixture if the housing, lens, or power cable is damaged.
- Ensure the main power supply is off before installing or wiring a fixture.
- Local electrical codes and regulations to determine method of wire connection.
- The external flexible cable of this luminaire cannot be replaced; if the cord is damaged, contact Coronet.
- The light source contained in this luminaire shall only be replaced by the manufacturer, their service agent, or a similar qualified person.

NOTE: JUNCTION BOXES MUST BE SOLIDLY FIXED TO THE CEILING AND ATTACHED TO THE STRUCTURAL MEMBER INSIDE THE CEILING BEFORE PROCEEDING WITH INSTALLATION.