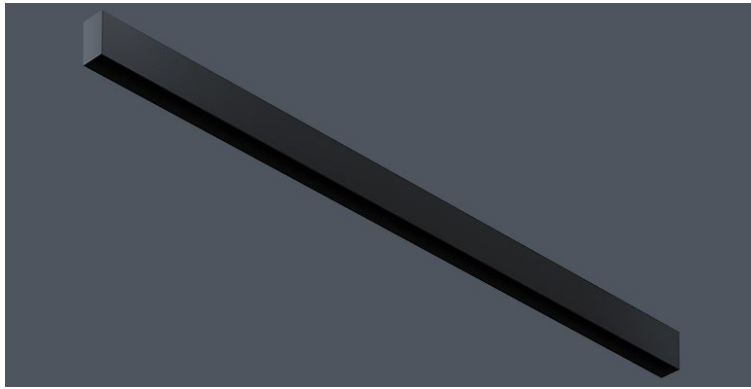




MAGNETO Track System

MAGNETO is an innovative and dynamic track system designed for ease and flexibility. Featuring snap-in magnetic mounting that allows you to rearrange several different modules. Fully customizable to suit your specific needs.

DATE _____ PROJECT _____ FIRM _____ TYPE _____



FEATURES

- Two circuits to power Magneto modules
- Optional additional uplight circuit
- CRI 90+ standard; R9>50
- Available in made to measure lengths accurate up to 1/16"
- 90° corners and patterns available (see page 2)
- Track circuits are dimmable to 1% with 0-10V controls. uplight is 10% standard

APPLICATIONS Commercial interiors, galleries, retail, museums, reception areas, hotels, restaurants

FINISH Powder-coated black standard. optional white powder-coated finish. custom ral colors available

CONSTRUCTION Extruded housing with cast end plates

OPTICS Optional uplight with frosted lens



ELECTRICAL

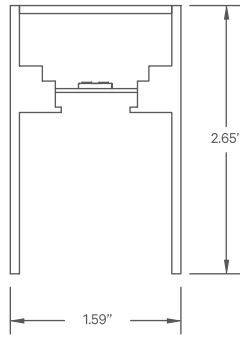
Uplight and dual circuit track. remote constant voltage driver with integral 1% 0-10v dimming for track. remote constant current driver for uplight. 20ft maximum remote driver distance from feed. track must be re-fed every 30ft or when driver max is reached (whichever comes first).

DRIVERS & SENSORS

For wiring diagrams, and sensor information click [here](#)



EXTRUSION DIMENSIONS



LED SYSTEM INFORMATION (FOR OPTIONAL UPLIGHT ONLY)

	Nominal System Watts	Nominal Delivered Lumens
Standard (LTG1)	5.25 W/ft	450 lm/ft
Low (LTG2)	3.5 W/ft	300 lm/ft
High (LTG3)	7.25 W/ft	600 lm/ft

Based on a 90CRI, 3500K luminaire using one driver. Custom outputs available; specify below.

ORDERING

1 2 3 4 5 6 7 8 9 10 11

1 - FIXTURE ID

MAG - TRK

2 - LENGTH

- 2 - 2 ft
- 4 - 4 ft
- 8 - 8 ft
- X'-X" - Specify Length
- PAT - Pattern (Consult Factory)

3 - COMPONENT

- UP - Uplight
- NA - No Uplight (Track Only)

4 - COLOR TEMP

- 27 - 2700K/90 CRI
- 30 - 3000K/90 CRI
- 35 - 3500K/90 CRI
- 40 - 4000K/90 CRI

5 - LED SYSTEM (Uplight)

- LTG1 - Standard
- LTG2 - Low
- LTG3 - High
- LTGC - Custom Output

6 - VOLTAGE

- UNV - Universal (120/277V)
 - 347V* - 347V
- *Must use DB Driver

7 - DRIVER (Uplight)

- DB - Standard 1% Dimming (0-10V)
- DB.1% - 0.1% Dimming (0-10V)

8 - DRIVER CKT1 (Track)

- DR30 - 30W Driver
- DR60 - 60W Driver
- DR90 - 90W Driver

9 - DRIVER CKT2 (Track)

- DR30 - 30W Driver
- DR60 - 60W Driver
- DR90 - 90W Driver

10 - FINISH

- BLK* - Black (Standard)
- CC - Custom Color (provide RAL#)

*Interior finish comes standard black, custom colors available. Consult factory

11 - MOUNTING

- AC - Air Craft Cable (50")
- SM* - Surface Mount

*Not available with uplight component

DATE

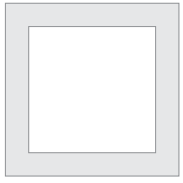
PROJECT

FIRM

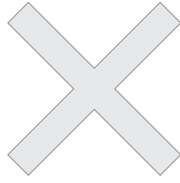
TYPE

PATTERNS

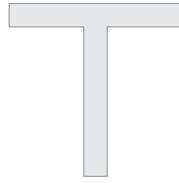
Patterns feature illuminated welded corners and angles. **Must consult factory for custom corners and patterns.**



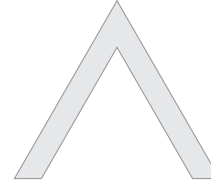
Square Patterns



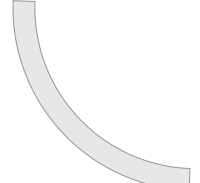
X Patterns



T Patterns



Custom Angles

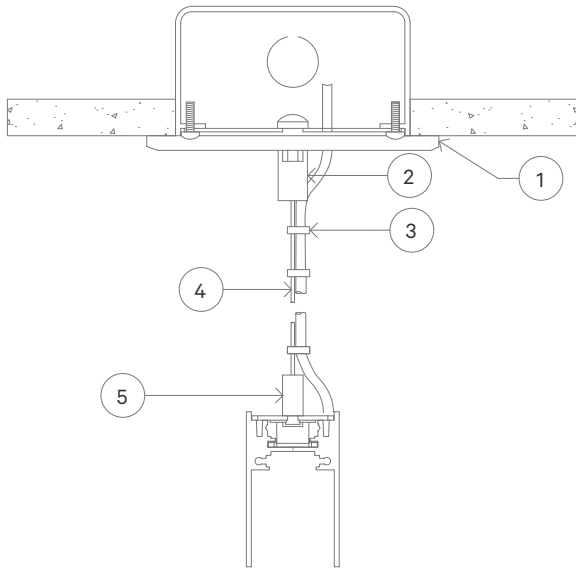


90° Curves

*17.5" Radius

MOUNTING OPTIONS

AC - Air Craft Cable (50")



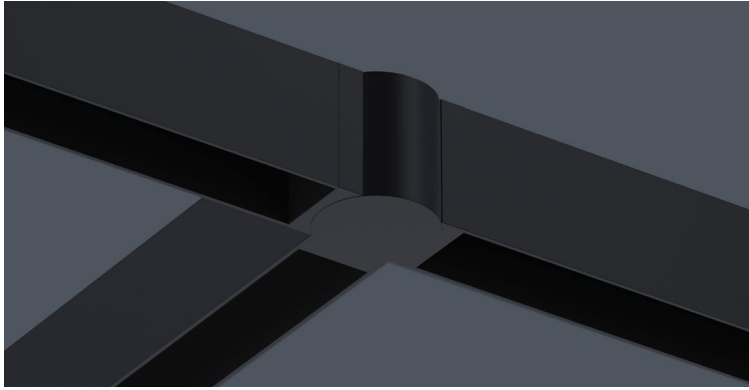
- 1 - Canopy
- 2 - Canopy Retainer
- 3 - SJT Cord
- 4 - Air Craft Cable
- 5 - Gripper

DATE

PROJECT

FIRM

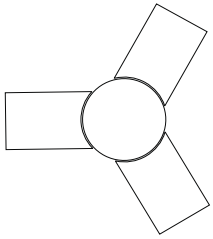
TYPE



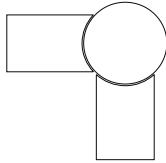
FEATURES

- 2.3" diameter connector for modular magneto track patterns
- Several connections types/directions offered
- Available in custom colors

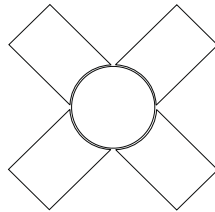
CONFIGURATIONS:



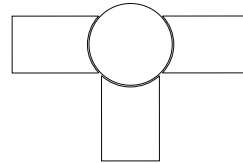
120° Y-Pattern



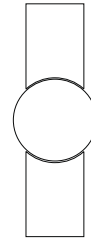
90° Corner



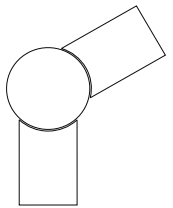
'X' Pattern



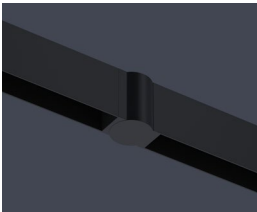
'T' Pattern



Straight



120° Corner



Straight



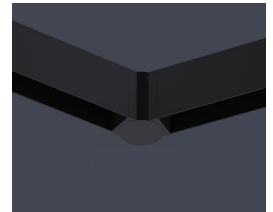
90° Corner



'X' Pattern



120° Y-Pattern



120° Corner

ORDERING



1

2

3

1 - FIXTURE ID

MAG CNCT

2 - Connector

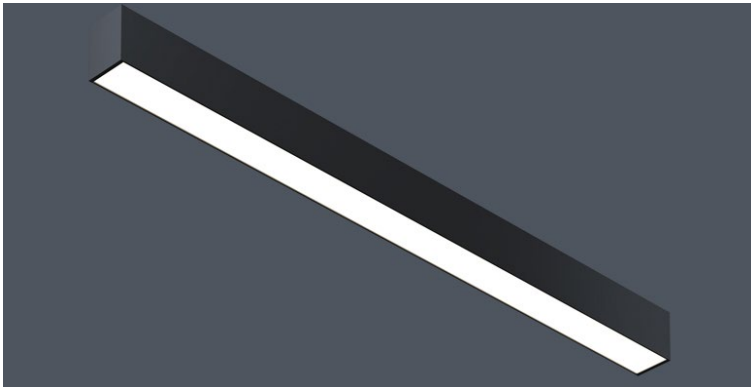
90° - 90° Corner
 120° - 120° Corner
 Y - 120° 'Y' Pattern
 X - 'X' Pattern
 T - 'T' Pattern

3 - FINISH

BLK - Black (Standard)
 W - White
 CC - Custom Color
 (provide RAL#)

*Drawing required upon ordering

DATE _____ PROJECT _____ FIRM _____ TYPE _____



Features

- Magnetically held fixture designed to be easily repositioned in magneto track on site
- Optional **BLACK OPTIC**
- Available in lengths up to 8' (6" increments)
- CRI 90+ standard; R9>50
- 5 year, 50,000 hour fixture warranty
- 2700k, 3000k, 3500k & 4000k color temperatures available
- 0-10V dimmable

APPLICATIONS Commercial interiors, galleries, retail, museums, reception areas, hotels, restaurants

FINISH Powder-coated black standard. optional white powder-coated finish. custom RAL colors available

OPTICS Extruded high transmission satin acrylic lens with no LED imaging. **BLACK OPTIC** optional.

CONSTRUCTION Extruded and cast aluminum components



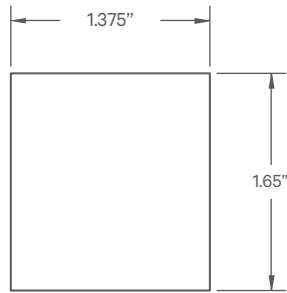
DRIVERS

For wiring diagrams click [here](#)



ELECTRICAL Powered by magneto track system. 0-10v dimmable. 'flip' fixture in track to select circuit

EXTRUSION DIMENSIONS



LED SYSTEM INFORMATION

	Nominal System Watts	Nominal Delivered Lumens
Standard (LTG1)	8 W/ft	500 lm/ft
Low (LTG2)	4.5 W/ft	280 lm/ft
High (LTG3)	13 W/ft	650 lm/ft

NOTE: Based on a 90CRI, 3500K luminaire

ORDERING



1 - FIXTURE ID

MAG - LIN

2 - LENGTH (Nominal)

- 1' - 1 ft
- 2' - 2 ft
- 3' - 3 ft
- 4' - 4 ft
- 6' - 6 ft
- 8' - 8 ft
- X' - Specify Length
(Maximum Length 8ft,
Specify to the Nearest 6")

3 - COLOR TEMP

- 27 - 2700K/90 CRI
- 30 - 3000K/90 CRI
- 35 - 3500K/90 CRI
- 40 - 4000K/90 CRI

4 - LED SYSTEM

- LTG1 - Standard
- LTG2 - Low
- LTG3 - High

5 - FINISH

- BLK - Black (Standard)
- W - White
- CC - Custom Color
(provide RAL#)

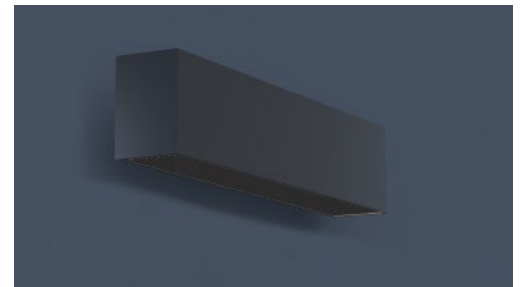
6 - OPTICS

- SD - Standard Diffuser
- BKO™ - **BLACK OPTIC**

7 - EMERGENCY

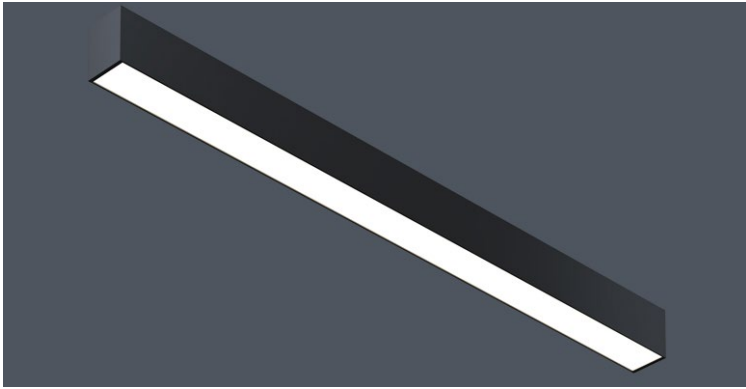
- EM 120V - Emergency Pack
- EM 277V - Emergency Pack
- EMCKT - Emergency Circuit

*NOTE: EM sections are fixed in position at the factory by code and must be marked on submittal drawings.
EM not available with Black Optic.



Shown with optional **BLACK OPTIC**

DATE _____ PROJECT _____ FIRM _____ TYPE _____



FEATURES

- Magnetically held fixture designed to be easily repositioned in magneto track on site
- Available in lengths up to 8' (6" increments)
- CRI 90+ standard; R9>50
- 5 year, 50,000 hour fixture warranty
- 2700k, 3000k, 3500k & 4000k color temperatures available
- 0-10V dimmable

APPLICATIONS Commercial interiors, galleries, retail, museums, reception areas, hotels, restaurants

FINISH Powder-coated black standard. optional white powder-coated finish. custom RAL colors available

CONSTRUCTION Extruded and cast aluminum components

OPTICS Specially formulated ribbed lens for wall washing effect with minimal LED imaging.



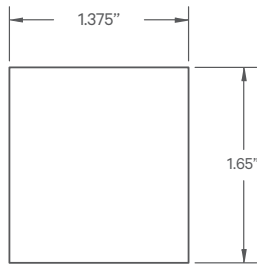
DRIVERS

For wiring diagrams click [here](#)



ELECTRICAL Powered by Magneto track system. 0-10V dimmable. 'flip' fixture in track to select circuit.

EXTRUSION DIMENSIONS

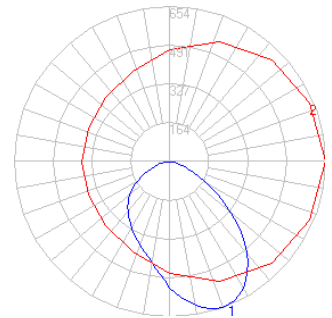


LED SYSTEM INFORMATION

	Nominal System Watts	Nominal Delivered Lumens
Standard (LTG1)	8 W/ft	330 lm/ft
Low (LTG2)	4.5 W/ft	185 lm/ft
High (LTG3)	13 W/ft	435 lm/ft

NOTE: Based on a 90CRI, 3500K luminaire

CANDELA



ORDERING



1 - FIXTURE ID

MAG - WW

2 - LENGTH (Nominal)

- 1' - 1 ft
- 2' - 2 ft
- 3' - 3 ft
- 4' - 4 ft
- 6' - 6 ft
- 8' - 8 ft
- X' - Specify Length
(Maximum Length 8ft, Specify to the Nearest 6")

3 - COLOR TEMP

- 27 - 2700K/90 CRI
- 30 - 3000K/90 CRI
- 35 - 3500K/90 CRI
- 40 - 4000K/90 CRI

4 - LED SYSTEM

- LTG1 - Standard
- LTG2 - Low
- LTG3 - High

5 - FINISH

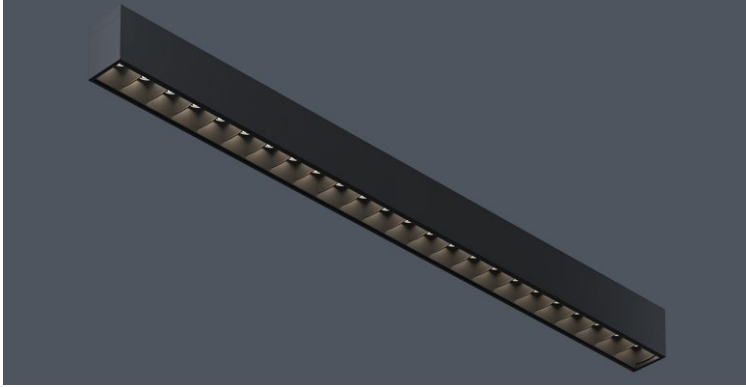
- BLK - Black (Standard)
- W - White
- CC - Custom Color (provide RAL#)

6 - EMERGENCY

- EM 120V - Emergency Pack
- EM 277V - Emergency Pack
- EMCKT - Emergency Circuit

*NOTE: EM sections are fixed in position at the factory by code and must be marked on submittal drawings. EM not available with Black Optic.

DATE _____ PROJECT _____ FIRM _____ TYPE _____



FEATURES

- Magnetically held fixture designed to be easily repositioned in magneto track on site
- Specifiable optic packages
- CRI 90+ standard; R9>50
- Available in custom lengths up to 8' (1 foot increments)
- 5 year, 50,000 hour fixture warranty
- 2700k, 3000k, 3500k & 4000k color temperatures available

APPLICATIONS Commercial interiors, galleries, retail, museums, reception areas, hotels, restaurants

FINISH Powder-coated black standard. custom RAL colors available for housing only (baffle only available in black)

CONSTRUCTION Extruded and cast aluminum components. injection molded poly-carbonate baffle

OPTICS Optic per LED; various beam spreads available. see below



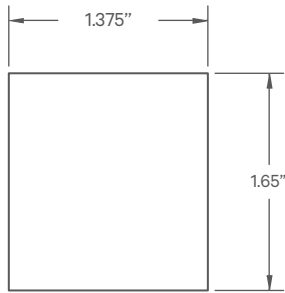
DRIVERS

For Wiring Diagrams
Click [Here](#)



ELECTRICAL Powered by Magneto track system. 0-10v dimmable. 'flip' fixture in track to select circuit

EXTRUSION DIMENSIONS



BEAM SPREAD INFORMATION

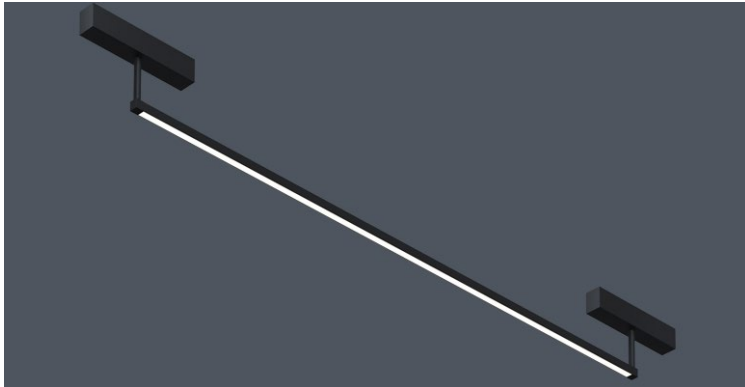
	Nominal System Watts	Nominal Delivered Lumens	
LTG1	12 W/ft	700 lm/ft	
	SP	FL	WFL
CBCP	5816	4122	3116

ORDERING



1 - FIXTURE ID	2 - LENGTH (Nominal)	3 - COLOR TEMP	4 - LED SYSTEM	5 - FINISH	6 - FINISH (Baffle)	7 - BEAM SPREAD
MAG - BAF	1' - 1 ft 2' - 2 ft 3' - 3 ft 4' - 4 ft 6' - 6 ft 8' - 8 ft X' - Specify Length (To the nearest 1ft)	27 - 2700K/90 CRI 30 - 3000K/90 CRI 35 - 3500K/90 CRI 40 - 4000K/90 CRI	LTG1 - Standard	BLK - Black (Standard) W - White CC - Custom Color (provide RAL#)	BLK - Black	SP - 20° Beam; (Spot) FL - 26° Beam Spread; (Flood) WFL - 32° Beam Spread; (Wide Flood)

DATE _____ PROJECT _____ FIRM _____ TYPE _____



FEATURES

- Magnetically held fixture designed to be easily repositioned in magneto track on site
- 3" 'drop below' pendant stems on either end of the fixture.
- Adapters can be connected to two tracks simultaneously.
- available up to 6ft in length
- CRI 90+ standard; R9>50
- 5 year, 50,000 hour fixture warranty
- 2700k, 3000k, 3500k & 4000k color temperatures available

APPLICATIONS Commercial interiors, galleries, retail, museums, reception areas, hotels, restaurants

FINISH Powder-Coated Black Standard. Custom RAL Colors Available for Housing Only (Baffle Only Available in Black)

CONSTRUCTION Extruded Aluminum Housing

OPTICS Extruded high transmission satin acrylic lens with no LED imaging



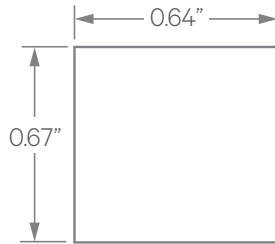
DRIVERS

For Wiring Diagrams
Click [Here](#)



ELECTRICAL Powered by Magneto track system. 0-10V dimmable. 'flip' fixture in track to select circuit

EXTRUSION DIMENSIONS



LED SYSTEM INFORMATION

	Nominal System Watts	Nominal Delivered Lumens
Standard (LTG1)	8 W/ft	522 lm/ft

NOTE: Based on a 90CRI, 3500K luminaire

ORDERING



1 - FIXTURE ID

MAG - MYJ - EP

2 - LENGTH

- 1' - 1 ft
- 2' - 2 ft
- 3' - 3 ft
- 4' - 4 ft
- 6' - 6 ft

3 - COLOR TEMP

- 27 - 2700K/90 CRI
- 30 - 3000K/90 CRI
- 35 - 3500K/90 CRI
- 40 - 4000K/90 CRI

4 - LED SYSTEM

LTG1 - Standard

5 - FINISH

- BLK - Black (Standard)
- W - White
- CC - Custom Color (provide RAL#)

DATE _____ PROJECT _____ FIRM _____ TYPE _____



FEATURES

- Magnetically held fixture designed to be easily repositioned in magneto track on site
- Discreet moduel sits flush within track
- Three beam spreads available
- CRI 90+ standard;R9>50
- Glare control accessory available
- Module is dimmable using a 0-10v control wired to the magneto track
- 2700k, 3000k, 3500k & 4000k color temperatures available

APPLICATIONS Commercial interiors, galleries, retail, museums, reception areas, hotels, restaurants

FINISH Powder-coated black standard. optional white powder-coated finish. custom RAL colors available

OPTICS Field changeable optic; beam angle of 24°, 27°, and 30° available. optional hex louver available

CONSTRUCTION Extruded and cast aluminum components



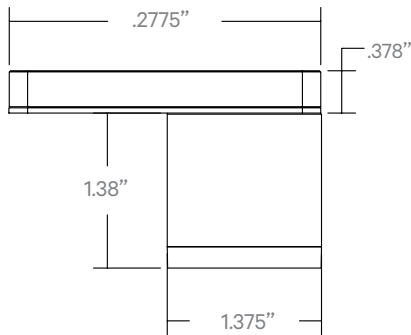
DRIVERS

For wiring diagrams click [here](#)



ELECTRICAL Powered by Magneto track system. 0-10V dimmable. 'flip' fixture in track to select circuit

EXTRUSION DIMENSIONS



LED SYSTEM INFORMATION

	Nominal System Watts	Nominal Delivered Lumens
LTG1	5 W	328 lm

*Based on 'WFL' option in 90CRI, 3500K

ORDERING

1 2 3 4 5 6

1 - FIXTURE ID

MAG - PCK

2 - COLOR TEMP

- 27 - 2700K/90 CRI
- 30 - 3000K/90 CRI
- 35 - 3500K/90 CRI
- 40 - 4000K/90 CRI

3 - LED SYSTEM

LTG1 - Standard

4 - FINISH

- BLK - Black (Standard)
- W - White
- CC - Custom Color (provide RAL#)

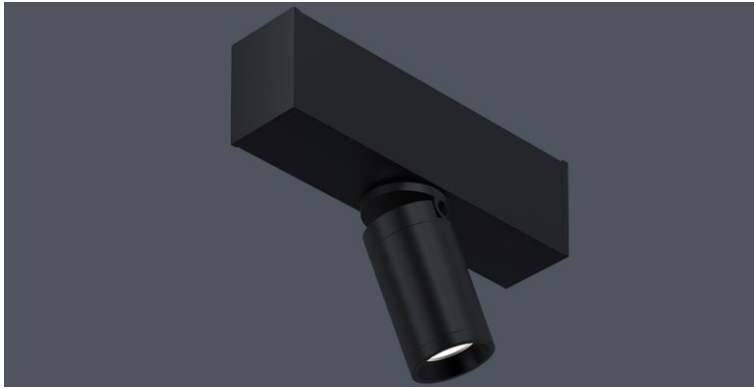
5 - BEAM SPREAD

- SP - 24° Beam; 1754 CBCP
- FL - 27° Beam Spread; 1700 CBCP
- WFL - 30° Beam Spread; 994 CBCP

6 - OPTIONAL ACCESSORIES

HEX - Hex Louver

DATE _____ PROJECT _____ FIRM _____ TYPE _____



FEATURES

- Magnetically held fixture designed to be easily repositioned in Magneto track on site
- Three beam spreads available
- CRI 90+ standard; R9>50
- Glare control accessory available
- Module is dimmable using a 0-10V control wired to the Magneto track
- 2700k, 3000k, 3500k & 4000k color temperatures available

APPLICATIONS Commercial interiors, galleries, retail, museums, reception areas, hotels, restaurants

FINISH Powder-coated black standard. optional white powder-coated finish. custom RAL colors available

CONSTRUCTION Extruded and cast aluminum components

OPTICS Field changeable optic; beam angle of 24°, 27°, and 30° available. Optional hex louver available



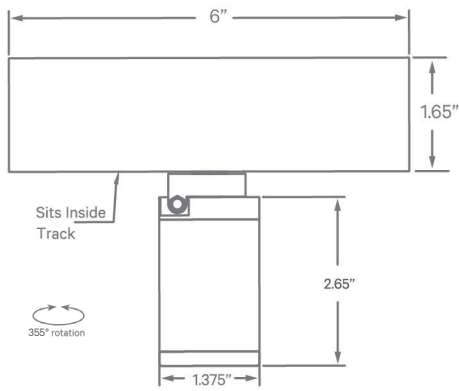
DRIVERS

For Wiring Diagrams
Click [Here](#)



ELECTRICAL Powered by Magneto track system. 0-10V dimmable. 'flip' fixture in track to select circuit

EXTRUSION DIMENSIONS



LED SYSTEM INFORMATION

	Nominal System Watts	Nominal Delivered Lumens
LTG1	5 W	328 lm

*Based on 'WFL' option in 90CRI, 3500K

ORDERING



1 - FIXTURE ID

MAG - SPT

2 - SIZE

SM

3 - COLOR TEMP

- 27 - 2700K/90 CRI
- 30 - 3000K/90 CRI
- 35 - 3500K/90 CRI
- 40 - 4000K/90 CRI

4 - LED SYSTEM

LTG1 - Standard

5 - VOLTAGE

- UNV - Universal (120/277V)
- 347V* - 347V

*Must use DB Driver

6 - FINISH

- BLK - Black (Standard)
- W - White
- CC - Custom Color (provide RAL#)

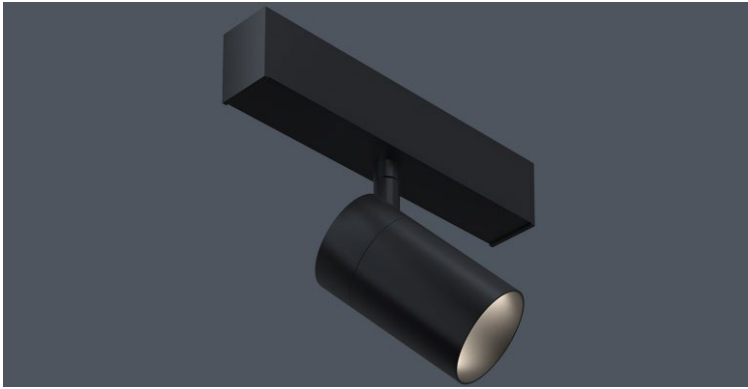
7 - BEAM SPREAD

- SP - 24° Beam; 1754 CBCP
- FL - 27° Beam Spread; 1700 CBCP
- WFL - 30° Beam Spread; 994 CBCP

8 - OPTIONAL ACCESSORIES

HEX - Hex Louver

DATE _____ PROJECT _____ FIRM _____ TYPE _____



FEATURES

- Magnetically held fixture designed to be easily repositioned in Magneto track on site
- Three beam spreads available
- CRI 90+ standard; R9>50
- Glare control accessory available
- Module is dimmable using a 0-10V control wired to the Magneto track
- 2700k, 3000k, 3500k & 4000k color temperatures available

APPLICATIONS Commercial interiors, galleries, retail, museums, reception areas, hotels, restaurants

FINISH Powder-coated black standard. optional white powder-coated finish. custom RAL colors available

CONSTRUCTION Extruded and Cast Aluminum Components

OPTICS Field changeable optic; beam angle of 24°, 27°, and 30° available. optional hex louver available



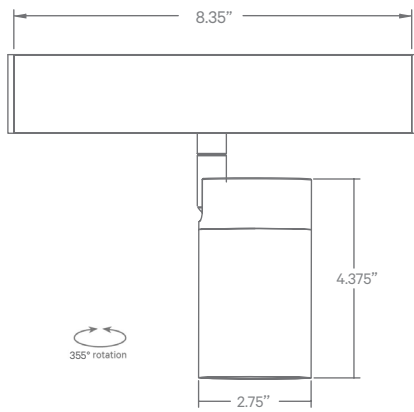
DRIVERS

For wiring diagrams click [here](#)



ELECTRICAL Powered by Magneto track system. 0-10V dimmable. 'flip' fixture in track to select circuit

EXTRUSION DIMENSIONS



LED SYSTEM INFORMATION

	Nominal System Watts	Nominal Delivered Lumens
LTG1 (Standard)	8 W	340 lm
LTG3 (High)	11 W	564 lm

*Based on 'WFL' option in 90CRI, 3500K

BEAM SPREAD INFORMATION

	SP	FL	WFL
CBCP	3271	986	328

ORDERING



1 - FIXTURE ID

MAG - SPT

2 - SIZE

MED

3 - COLOR TEMP

- 27 - 2700K/90 CRI
- 30 - 3000K/90 CRI
- 35 - 3500K/90 CRI
- 40 - 4000K/90 CRI

4 - LED SYSTEM

LTG1 - Standard

5 - FINISH

- BLK - Black (Standard)
- W - White
- CC* - Custom Color (provide RAL#)

*Additional lead time

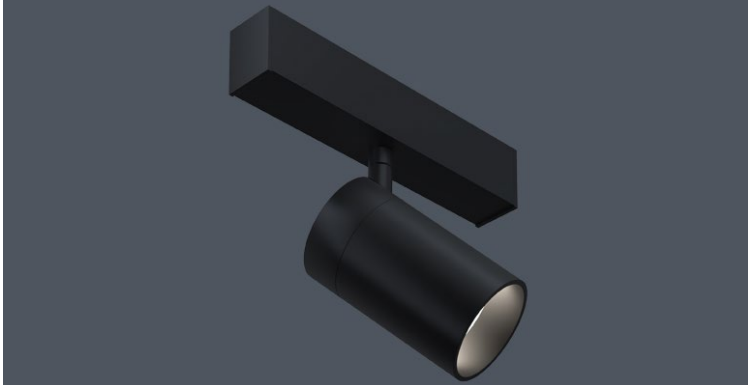
6 - BEAM SPREAD

- SP - 15° Beam; 3271 CBCP
- FL - 38° Beam Spread; 986 CBCP
- WFL - 60° Beam Spread; 328 CBCP

7 - OPTIONAL ACCESSORIES

HEX - Hex Louver

DATE _____ PROJECT _____ FIRM _____ TYPE _____



FEATURES

- Magnetically Held Fixture Designed to Be Easily Repositioned in Magneto Track On Site
- Three Beam Spreads Available
- CRI 90+ Standard; R9>50
- Module is Dimmable Using a 0-10V Control Wired to the Magneto Track
- 2700K, 3000K, 3500K & 4000K Color Temperatures Available

APPLICATIONS Commercial Interiors, Galleries, Retail, Museums, Reception Areas, Hotels, Restaurants

FINISH Powder-Coated Black Standard. Optional White Powder-Coated Finish. Custom RAL Colors Available

CONSTRUCTION Extruded and Cast Aluminum Components

OPTICS Field Changeable Optic; Beam Angle of 15°, 24°, and 60° Available. Optional Hex Louver Available



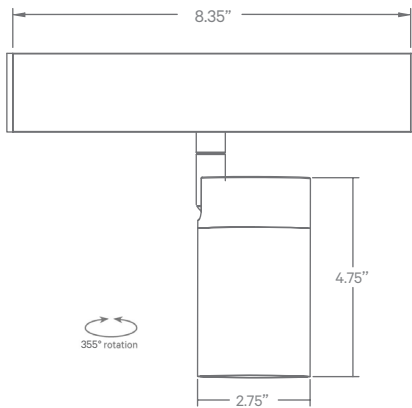
DRIVERS

For Wiring Diagrams
Click [Here](#)



ELECTRICAL Powered by Magneto Track System. 0-10V Dimmable. 'Flip' Fixture in Track to Select Circuit

EXTRUSION DIMENSIONS



LED SYSTEM INFORMATION

	Nominal System Watts	Nominal Delivered Lumens
LTG1 (Standard)	14 W	670 lm
LTG3 (High)	17 W	1040 lm

*Based on 'WFL' option in 90CRI, 3500K

BEAM SPREAD INFORMATION

	SP	FL	WFL
CBCP	2520	1641	904

ORDERING



1 - FIXTURE ID

MAG - SPT

2 - SIZE

LRG

3 - COLOR TEMP

- 27 - 2700K/90 CRI
- 30 - 3000K/90 CRI
- 35 - 3500K/90 CRI
- 40 - 4000K/90 CRI

4 - LED SYSTEM

LTG1 - Standard

5 - FINISH

- BLK - Black (Standard)
- W - White
- CC* - Custom Color (provide RAL#)

*Additional lead time

6 - BEAM SPREAD

- SP - 15° Beam; 2520 CBCP
- FL - 24° Beam Spread; 1641 CBCP
- WFL - 60° Beam Spread; 904 CBCP

7 - OPTIONAL ACCESSORIES

HEX - Hex Louver

DATE	PROJECT	FIRM	TYPE
------	---------	------	------



FEATURES

- Magnetically Held Fixture Designed to Be Easily Repositioned in Magneto Track On Site (Adapter Not Seen)
- Three Beam Spreads Available
- CRI 90+ Standard; R9>50
- Module is Dimmable Using a 0-10V Control Wired to the Magneto Track
- 2700K, 3000K, 3500K & 4000K Color Temperatures Available
- Glare Control

APPLICATIONS Commercial Interiors, Galleries, Retail, Museums, Reception Areas, Hotels, Restaurants

FINISH Powder-Coated Black Standard. Optional White Powder-Coated Finish. Custom RAL Colors Available

CONSTRUCTION Extruded and Cast Aluminum Components

OPTICS Field Changeable Optic; Beam Angle of 15°, 38°, and 60° Available.



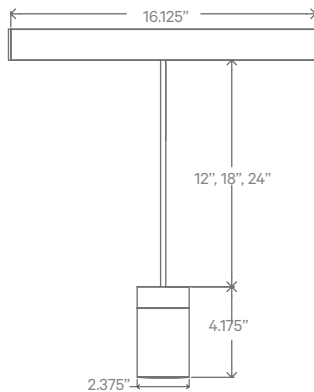
DRIVERS

For Wiring Diagrams
Click [Here](#)



ELECTRICAL Powered by Magneto Track System. 0-10V Dimmable. 'Flip' Fixture in Track to Select Circuit

EXTRUSION DIMENSIONS



LED SYSTEM INFORMATION

	Nominal System Watts	Nominal Delivered Lumens
LTG1	8 W	340 lm

*Based on 'WFL' option in 90CRI, 3500K

BEAM SPREAD INFORMATION

	SP	FL	WFL
CBCP	3271	986	328

ORDERING



1 - FIXTURE ID

MAG - PEND FXD

2 - SIZE

MED

3 - COLOR TEMP

- 27 - 2700K/90 CRI
- 30 - 3000K/90 CRI
- 35 - 3500K/90 CRI
- 40 - 4000K/90 CRI

4 - LED SYSTEM

LTG1 - Standard

5 - FINISH

- BLK - Black (Standard)
- W - White
- CC* - Custom Color (provide RAL#)

*Additional lead time

6 - BEAM SPREAD

- SP - 15° Beam; 2520 CBCP
- FL - 24° Beam Spread; 1641 CPCP
- WFL - 60° Beam Spread; 904 CBCP

7 - PENDANT STEM

- 12"
- 18"
- 24"

8 - OPTIONAL ACCESSORIES

HEX - Hex Louver

DATE _____ PROJECT _____ FIRM _____ TYPE _____



FEATURES

- Magnetically held fixture designed to be easily repositioned in Magneto track on site
- Three beam spreads available
- CRI 90+ standard; r9>50
- Glare control accessory available
- Module is dimmable using a 0-10V control wired to the Magneto track
- 2700k, 3000k, 3500k & 4000k color temperatures available

APPLICATIONS Commercial interiors, galleries, retail, museums, reception areas, hotels, restaurants

FINISH Powder-coated black standard. optional white powder-coated finish. custom RAL colors available

CONSTRUCTION Extruded and cast aluminum components

OPTICS Field changeable optic; beam angle of 15°, 24°, and 60° available.



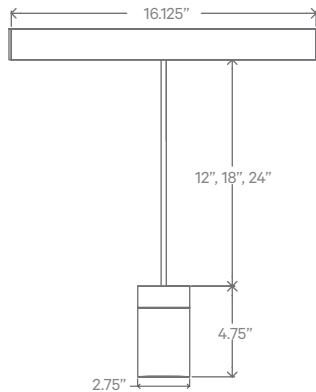
DRIVERS

For wiring diagrams click [here](#)



ELECTRICAL Powered by Magneto track system. 0-10V dimmable. 'flip' fixture in track to select circuit

EXTRUSION DIMENSIONS



LED SYSTEM INFORMATION

	Nominal System Watts	Nominal Delivered Lumens
LTG1	14 W	670 lm

*Based on 'WFL' option in 90CRI, 3500K

BEAM SPREAD INFORMATION

	SP	FL	WFL
CBCP	2520	1641	904

ORDERING



1 - FIXTURE ID

MAG - PEND FXD

2 - SIZE

LRG

3 - COLOR TEMP

- 27 - 2700K/90 CRI
- 30 - 3000K/90 CRI
- 35 - 3500K/90 CRI
- 40 - 4000K/90 CRI

4 - LED SYSTEM

LTG1 - Standard

5 - FINISH

- BLK - Black (Standard)
- W - White
- CC* - Custom Color (provide RAL#)

*Additional lead time

6 - BEAM SPREAD

- SP - 15° Beam; 2520 CBCP
- FL - 24° Beam Spread; 1641 CPCP
- WFL - 60° Beam Spread; 904 CBCP

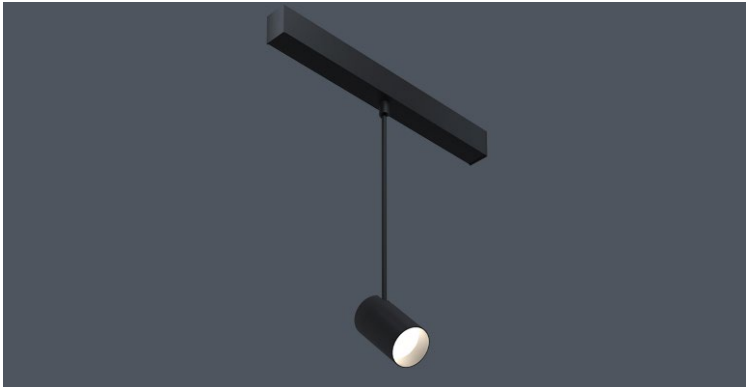
7 - PENDANT STEM

- 12"
- 18"
- 24"

8 - OPTIONAL ACCESSORIES

HEX - Hex Louver

DATE _____ PROJECT _____ FIRM _____ TYPE _____



FEATURES

- Magnetically Held Fixture Designed to Be Easily Repositioned in Magneto Track On Site (Adapter Not Seen)
- 355 Degree Rotatable Head
- Three Beam Spreads Available
- CRI 90+ Standard; R9>50
- Module is Dimmable Using a 0-10V Control Wired to the Magneto Track
- 2700K, 3000K, 3500K & 4000K Color Temperatures Available
- Glare Control

APPLICATIONS Commercial Interiors, Galleries, Retail, Museums, Reception Areas, Hotels, Restaurants

FINISH Powder-Coated Black Standard. Optional White Powder-Coated Finish. Custom RAL Colors Available

CONSTRUCTION Extruded and Cast Aluminum Components

OPTICS Field Changeable Optic; Beam Angle of 15°, 38°, and 60° Available.



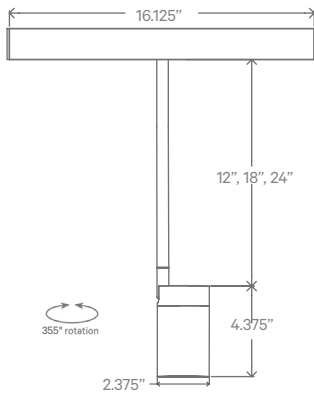
DRIVERS

For Wiring Diagrams
Click [Here](#)



ELECTRICAL Powered by Magneto Track System. 0-10V Dimmable. 'Flip' Fixture in Track to Select Circuit

EXTRUSION DIMENSIONS



LED SYSTEM INFORMATION

	Nominal System Watts	Nominal Delivered Lumens
LTG1	8 W	340 lm

*Based on 'WFL' option in 90CRI, 3500K

BEAM SPREAD INFORMATION

	SP	FL	WFL
CBCP	3271	986	328

ORDERING



1 - FIXTURE ID

MAG - PEND ADJ

2 - SIZE

MED

3 - COLOR TEMP

- 27 - 2700K/90 CRI
- 30 - 3000K/90 CRI
- 35 - 3500K/90 CRI
- 40 - 4000K/90 CRI

4 - LED SYSTEM

LTG1 - Standard

5 - FINISH

- BLK - Black (Standard)
- W - White
- CC* - Custom Color (provide RAL#)

*Additional lead time

6 - BEAM SPREAD

- SP - 15° Beam; 3271 CBCP
- FL - 38° Beam Spread; 986 CBCP
- WFL - 60° Beam Spread; 328 CBCP

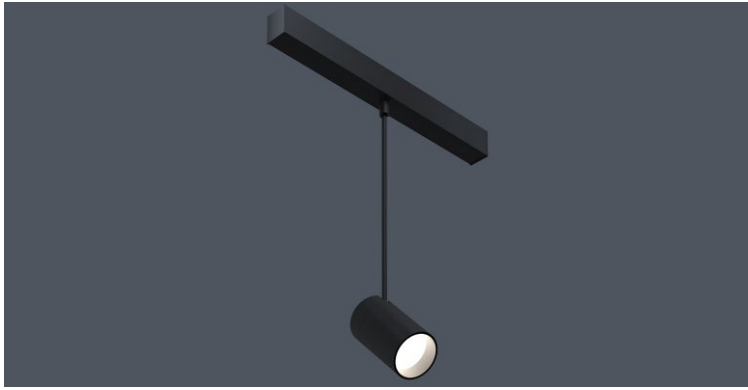
7 - PENDANT STEM

- 12"
- 18"
- 24"

8 - OPTIONAL ACCESSORIES

- HEX - Hex Louver

DATE _____ PROJECT _____ FIRM _____ TYPE _____



FEATURES

- Magnetically held fixture designed to be easily repositioned in MagnetO track on site
- 355 Degree Rotatable Head
- Three beam spreads available
- CRI 90+ standard; r9>50
- Glare control accessory available
- Module is dimmable using a 0-10V control wired to the MagnetO track
- 2700k, 3000k, 3500k & 4000k color temperatures available

APPLICATIONS Commercial interiors, galleries, retail, museums, reception areas, hotels, restaurants

FINISH Powder-coated black standard. optional white powder-coated finish. custom RAL colors available

CONSTRUCTION Extruded and cast aluminum components

OPTICS Field changeable optic; beam angle of 15°, 24°, and 60° available.



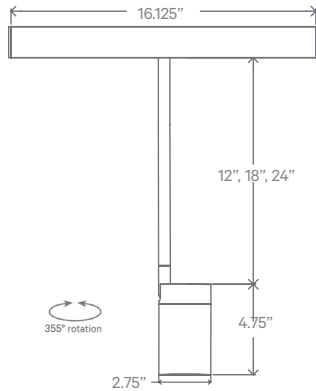
DRIVERS

For wiring diagrams click [here](#)



ELECTRICAL Powered by MagnetO track system. 0-10V dimmable. 'flip' fixture in track to select circuit

EXTRUSION DIMENSIONS



LED SYSTEM INFORMATION

	Nominal System Watts	Nominal Delivered Lumens
LTG1	14 W	670 lm

*Based on 'WFL' option in 90CRI, 3500K

BEAM SPREAD INFORMATION

	SP	FL	WFL
CBCP	2520	1641	904

ORDERING



1 - FIXTURE ID

MAG - PEND ADJ

2 - SIZE

LRG

3 - COLOR TEMP

- 27 - 2700K/90 CRI
- 30 - 3000K/90 CRI
- 35 - 3500K/90 CRI
- 40 - 4000K/90 CRI

4 - LED SYSTEM

LTG1 - Standard

5 - FINISH

- BLK - Black (Standard)
- W - White
- CC* - Custom Color (provide RAL#)

*Additional lead time

6 - BEAM SPREAD

- SP - 15° Beam; 3271 CBCP
- FL - 38° Beam Spread; 986 CBCP
- WFL - 60° Beam Spread; 328 CBCP

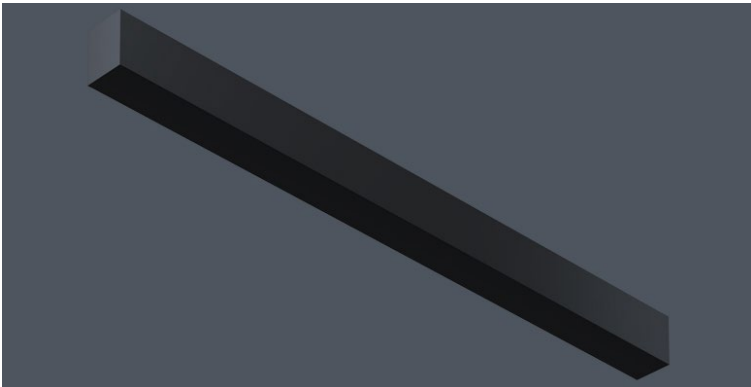
7 - PENDANT STEM

- 12"
- 18"
- 24"

8 - OPTIONAL ACCESSORIES

HEX - Hex Louver

DATE	PROJECT	FIRM	TYPE
------	---------	------	------



FEATURES

- Magnetically held fixture designed to be easily repositioned in Magneto track on site
- Available in lengths up to 8' (6" increments)
- 5 year warranty

APPLICATIONS Commercial interiors, galleries, retail, museums, reception areas, hotels, restaurants

FINISH Powder-coated black standard. optional white powder-coated finish. custom RAL colors available

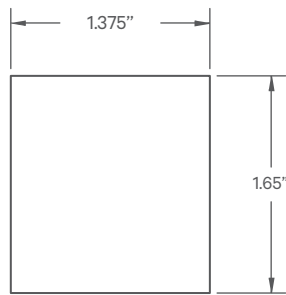
CONSTRUCTION Extruded and Cast Aluminum Components

OPTICS N/A



ELECTRICAL N/A

EXTRUSION DIMENSIONS



1 - FIXTURE ID

MAG - BLANK

2 - LENGTH

- 2** - 2 ft
- 4** - 4 ft
- 8** - 8 ft
- X'-X"** - Specify Length
(Maximum Length 8ft.
Specify to the Nearest 6")

3 - FINISH

- BLK** - Black (Standard)
- W** - White
- CC** - Custom Color
(provide RAL#)