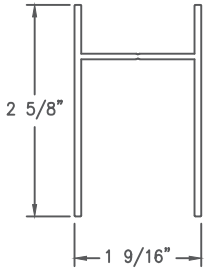


## INSTALLATION GUIDE-SURFACE MOUNT

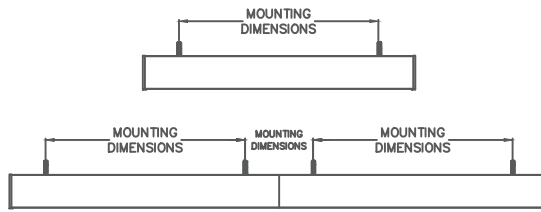


Risk of fire and electrical shock. In accordance with national local building and electrical codes, CORONET lighting fixtures must be installed by a qualified electrician. Disconnect power at electrical panel before servicing.

### CROSS SECTION VIEW



### SIDE VIEW

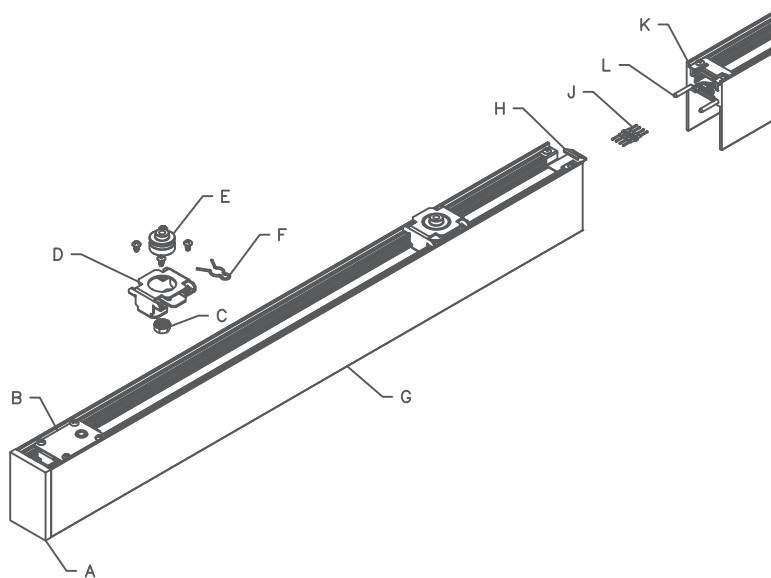


PLEASE CONSULT FACTORY SHOP DRAWINGS FOR MOUNTING POINTS

### PART LIST

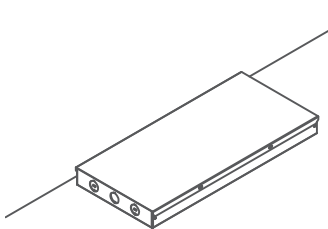
- A-End Plate
- B-Wire Cover
- C-1/4-20 Nut (Not Supplied)
- D-Surface Mount Bracket
- E-Ceiling Mount
- F-Cotter Pin
- G-Extrusion
- H-Connecting Hardware
- J-Board to Board Connector
- K-Connecting Hardware
- L-Alignment Pin

### EXPLODED CONNECTION DETAIL



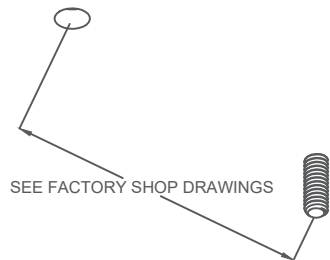
EXPLODED VIEWS ARE TO SHOW DETAIL ONLY, FIXTURES ARE SHIPPED PRE-ASSEMBLED.

1



Mount remote driver near access panel

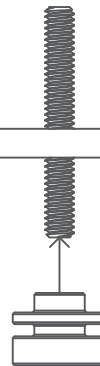
2



Refer to factory drawings to locate power feed hole and mounting points

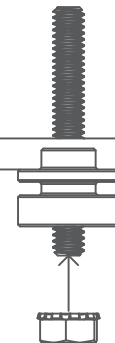
3

Threaded rod (not supplied) to be securely mounted to structure by EC



Screw ceiling mount (E) to 1/4-20 threaded rod (not supplied)

4



Secure ceiling mount (E) in place with 1/4-20 hex nut (C) (not supplied)

INDIVIDUAL FIXTURES ARE NOT INTENDED FOR CONTINUOUS RUNS.

ADDITIONAL SUPPORTS TO THE STRUCTURE MAY BE REQUIRED.

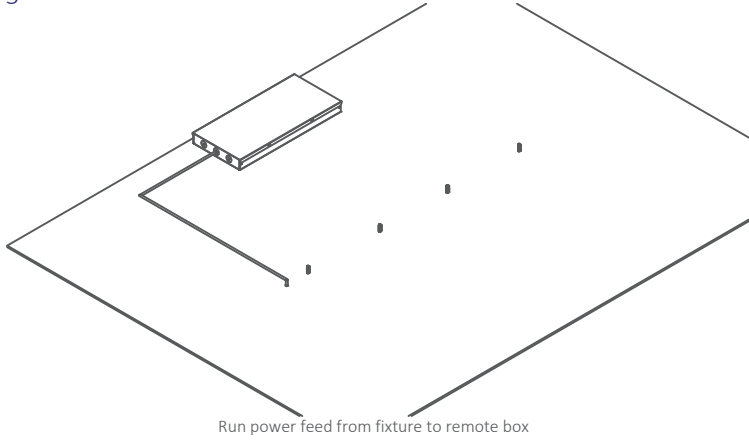
\*CHECK WITH YOUR LOCAL BUILDING CODE FOR THOSE REQUIREMENTS

## INSTALLATION GUIDE-SURFACE MOUNT

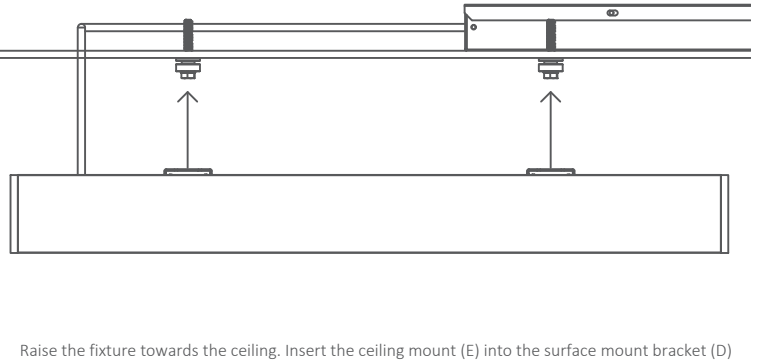


Risk of fire and electrical shock. In accordance with national local building and electrical codes, CORONET lighting fixtures must be installed by a qualified electrician. Disconnect power at electrical panel before servicing.

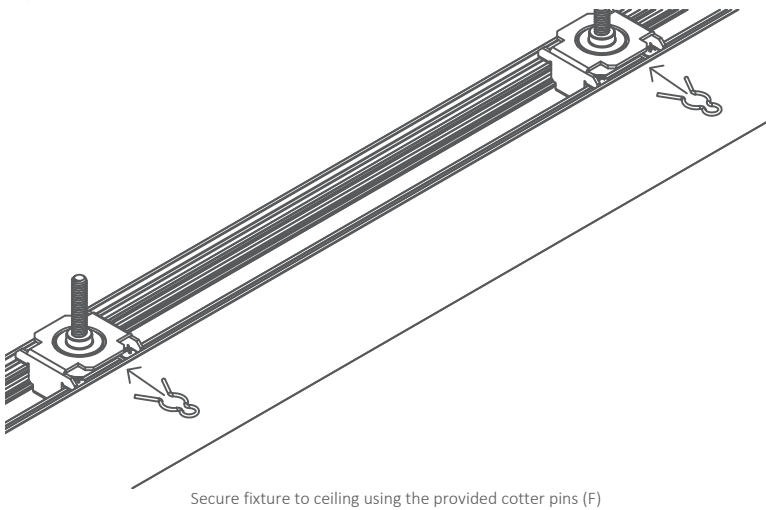
5



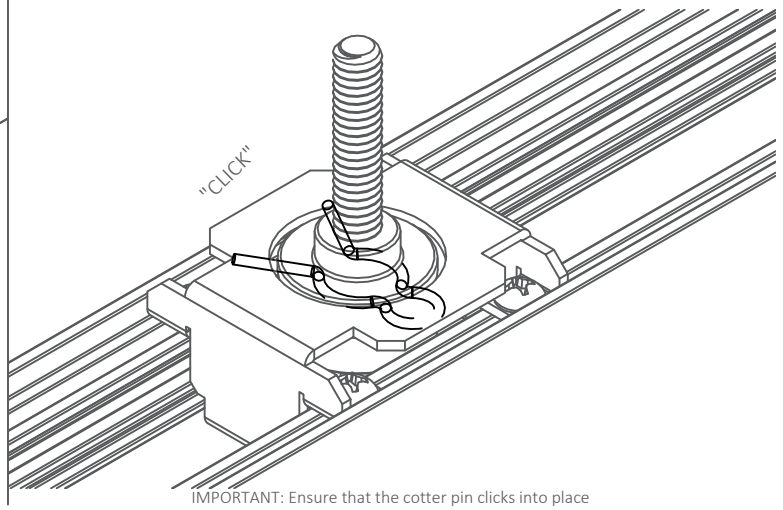
6



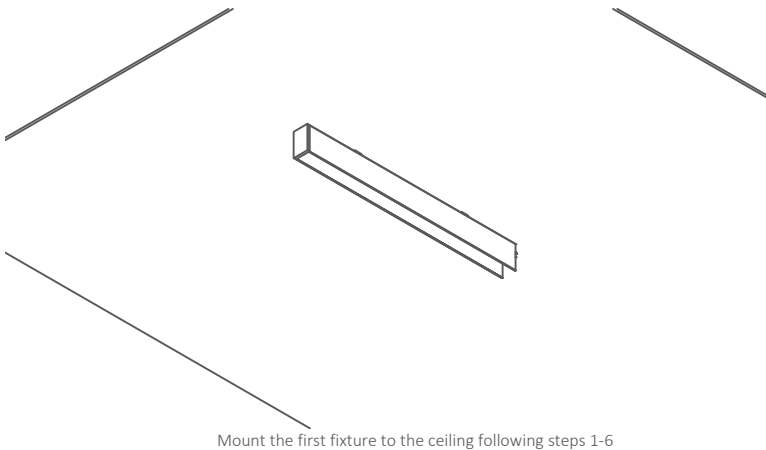
7



8

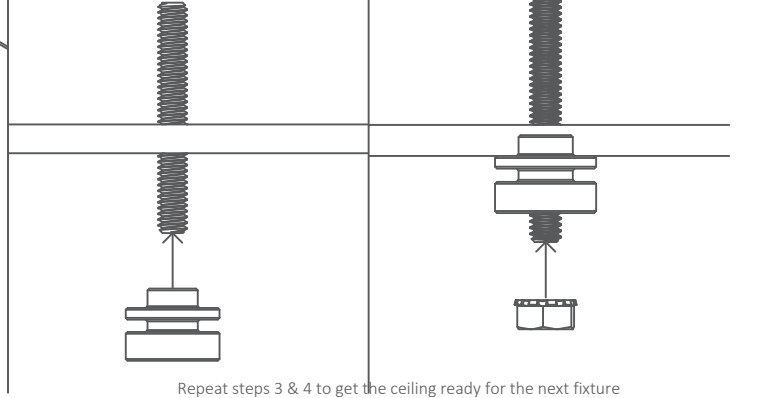


### 9 Continuous Rows



10

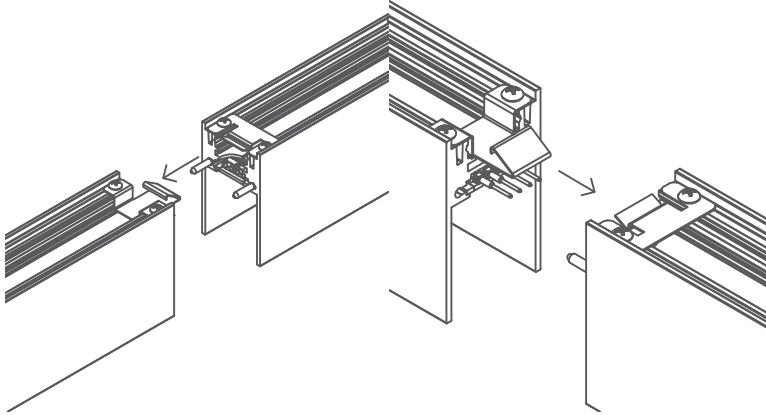
Threaded rod (not supplied) to be securely mounted to structure by EC





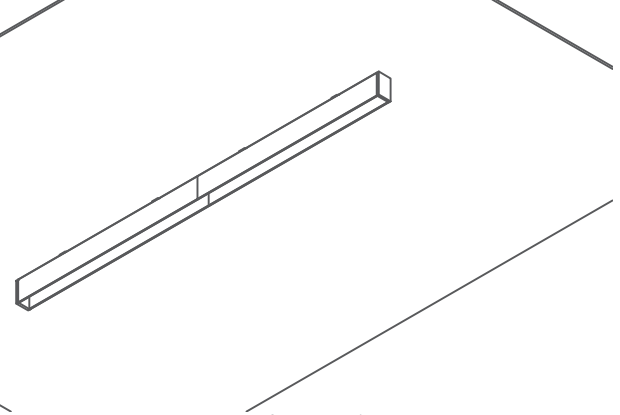
Risk of fire and electrical shock. In accordance with national local building and electrical codes, CORONET lighting fixtures must be installed by a qualified electrician. Disconnect power at electrical panel before servicing.

11



Using the alignment pins (L), slide the two fixtures together until the two connecting brackets (H, K) snap in place. Ensure that the board to board pin connectors (J) align with the terminal block in the next fixture.

12



Repeat steps 6-8 to secure fixture to ceiling.

**GENERAL INSTALLATION CONSIDERATIONS - See submittal drawings for job specific data.**

Operating Temperature.....	-20°C to 50°C
Operating Voltage.....	110VAC-277VAC, 50Hz-60Hz
Weight.....	1.8 lb/ft
Dimensions.....	See submittal drawings

- Installation by a certified electrician only.
- Read and understand the installation instructions before attempting to install or use the fixture.
- Only use fixtures with voltage for which it is rated. Do not exceed the specified voltage and current input.
- Do not use the fixture if the housing, lens, or power cable is damaged.
- Ensure that the main power supply is off before installing or wiring the fixture.
- Method of wire connection to be determined by local electrical codes and regulations.
- The external flexible cable of this luminaire cannot be field replaced; if the cord is damaged, contact Coronet.
- The light source contained in this luminaire shall only be replaced by the lighting manufacturer or his service agent or a similar qualified person.

Please contact our technical support team for assistance.