

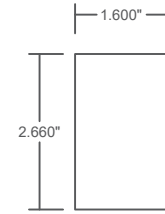


Risk of fire and electrical shock. In accordance with national local building and electrical codes, CORONET lighting fixtures must be installed by a qualified electrician. Disconnect power at electrical panel before servicing.

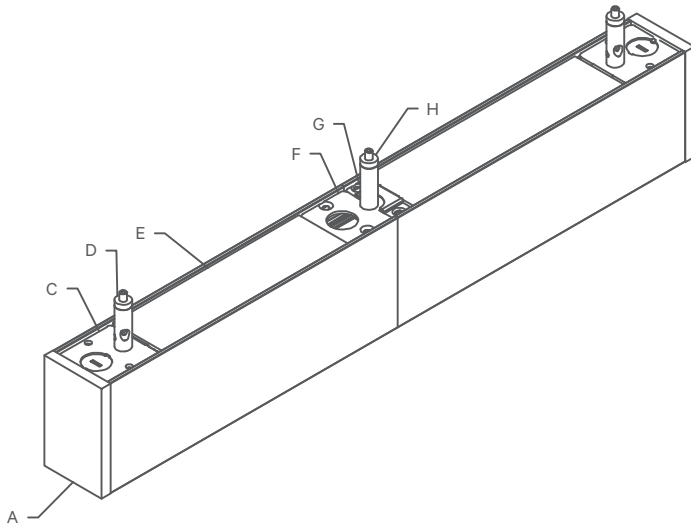
PART LIST

- A-End Plate
- B-Extrusion
- C-Hanging Bracket
- D-Female Gripper
- E-Top Lens
- F-Connecting Bracket
- G-Connecting Bracket
- H-Male Gripper

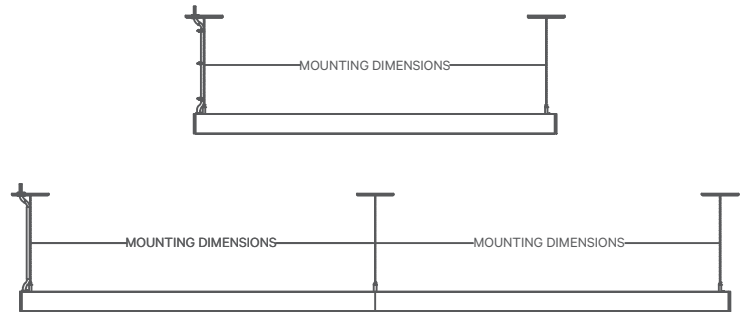
CROSS SECTION VIEW



EXPLODED VIEW

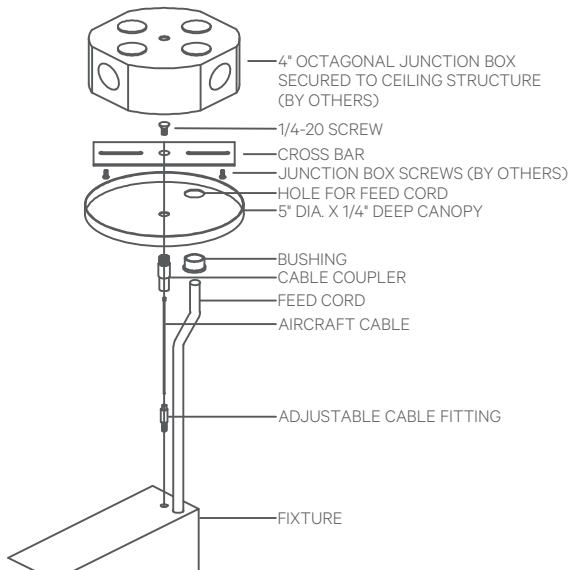


SIDE VIEW

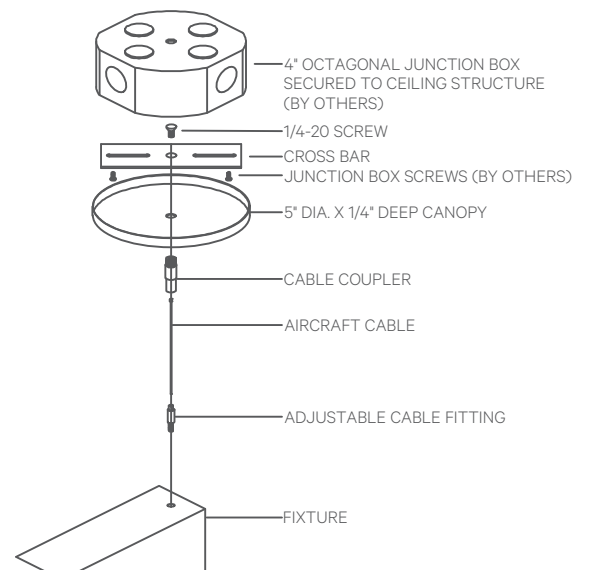


PLEASE CONSULT FACTORY SHOP DRAWINGS FOR SUSPENSION POINTS

FEED DETAIL



NON FEED DETAIL



NOTE: JUNCTION BOXES MUST BE SOLIDLY FIXED TO THE CEILING AND ATTACHED TO THE STRUCTURAL MEMBER INSIDE THE CEILING BEFORE PROCEEDING WITH INSTALLATION.



Risk of fire and electrical shock. In accordance with national local building and electrical codes, CORONET lighting fixtures must be installed by a qualified electrician. Disconnect power at electrical panel before servicing.

1

Mount the remote driver enclosure near the access panel.

2

Run plenum rated wire (by EC) from remote driver enclosure to junction box

3

RED(+)-CIRCUIT 1
WHITE(-)-CIRCUIT 1
BLACK(+)-CIRCUIT 2
GREEN(-)-CIRCUIT 2
PURPLE(+)-UPLIGHT
GRAY(-)-UPLIGHT

Connect the wires from the remote enclosure and fixture inside the junction box

4

A canopy is needed at all suspension points. Using the 1/4-20 cross bar screw, position the canopy and secure in place with the cable coupler.

5

Insert the aircraft cable into the cable grippers on both sides of the fixture

6

Adjust the aircraft cables until fixture is level and desired height is achieved

7

Use plastic cable ties to secure power cord to aircraft cable

8 Continuous Rows

Follow steps 1-7 to mount first fixture in place. Mount second fixture in place using steps 4-6

9

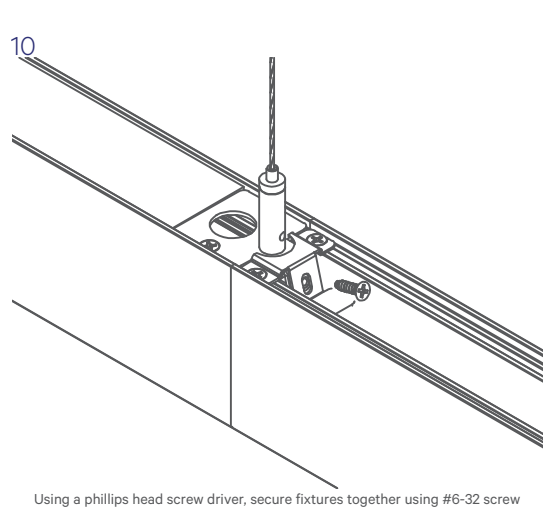
Slide the two fixtures together using the pins to align the fixtures

NOTE: JUNCTION BOXES MUST BE SOLIDLY FIXED TO THE CEILING AND ATTACHED TO THE STRUCTURAL MEMBER INSIDE THE CEILING BEFORE PROCEEDING WITH INSTALLATION.

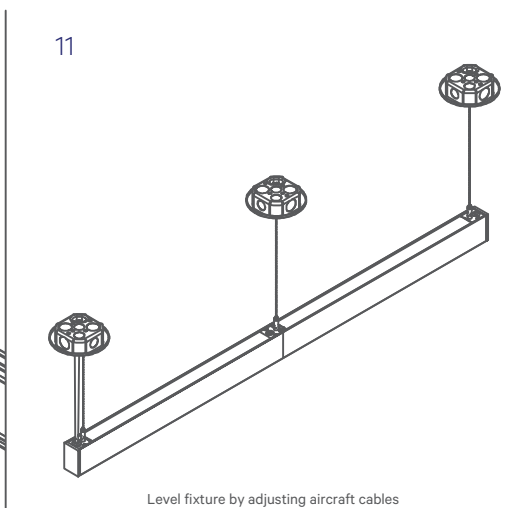
INSTALLATION GUIDE-PENDANT



Risk of fire and electrical shock. In accordance with national local building and electrical codes, CORONET lighting fixtures must be installed by a qualified electrician. Disconnect power at electrical panel before servicing.



Using a phillips head screw driver, secure fixtures together using #6-32 screw



Level fixture by adjusting aircraft cables

GENERAL INSTALLATION CONSIDERATIONS - See submittal drawings for job specific data.

Operating Temperature.....-20°C to 50°C
Operating Voltage.....110VAC-277VAC, 50Hz-60Hz
Weight.....3 lb/ft
Dimensions.....See submittal drawings

- Installation by a certified electrician only.
- Read and understand the installation instructions before attempting to install or use the fixture.
- Only use fixtures with voltage for which it is rated. Do not exceed the specified voltage and current input.
- Do not use the fixture if the housing, lens, or power cable is damaged.
- Ensure that the main power supply is off before installing or wiring the fixture.
- Method of wire connection to be determined by local electrical codes and regulations.
- The external flexible cable of this luminaire cannot be replaced; if the cord is damaged, contact Coronet.
- The light source contained in this luminaire shall only be replaced by the lighting manufacturer or his service agent or a similar qualified person.

Please contact our technical support team for assistance.

NOTE: JUNCTION BOXES MUST BE SOLIDLY FIXED TO THE CEILING AND ATTACHED TO THE STRUCTURAL MEMBER INSIDE THE CEILING BEFORE PROCEEDING WITH INSTALLATION.