

Rush Sharp recessed

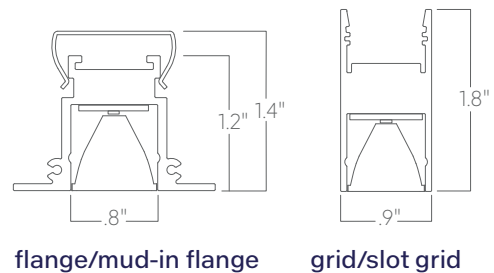


The Sharp Series of architectural luminaires features slim profiles, glare free, beam shaping optical cells and several mounting options. Custom lengths are tailored to suit any modern space.

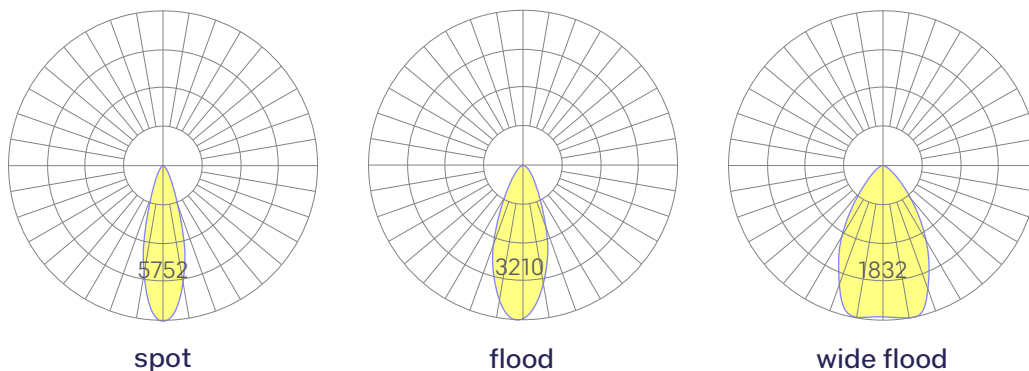
Features

- Extruded recycled aluminum housing
- Aluminum core LED boards, specifiable output
- Specifiable color temperature. CRI > 90, R9 >50
- Custom lengths, welded patterns, and custom finishes available
- Specifiable dimmable drivers or PoE
- 5 Year, 50,000 hour warranty, damp location rated
- WELL Building Standard compatible [learn more](#)

Dimensions



Optics



Representative distribution and peak candela. For other options see order information or IES files [here](#).

Rush Sharp recessed

Ordering Information

- - - - - - - - - - - -

1 2 3 4 5 6 7a 7b 8 9 10 11 12

Example: RUSH SHARP REC - 8 - 35 - MED - UNV - DB - W - BLK - NT - FL - CCS - DAYCKT - NA

Fixture ID <input type="text" value="1"/>	Length <input type="text" value="2"/>	Color Temperature <input type="text" value="3"/>	Output <input type="text" value="4"/>
RUSH SHARP REC	2 2 ft 4 4 ft 8 8 ft X'X" Specify length ¹ PAT Pattern (Consult Factory)	27 2700K/90 CRI 30 3000K/90 CRI 35 3500K/90 CRI 40 4000K/90 CRI	LOW Low output MED Medium output HIGH High output CUST Custom output ¹
<small>¹Custom lengths in 4" increments</small>		<small>¹consult factory</small>	
Voltage <input type="text" value="5"/>	Driver <input type="text" value="6"/>	Finish <input type="text" value="7a"/> - <input type="text" value="7b"/>	Mounting <input type="text" value="8"/>
UNV Universal (120/277V) 347V 347V	DB Standard 0-10V 1% DB.1% 0-10V 0.1% ELV ² Reverse Phase 1% (120V only) TRI ² Forward phase (120V only) LDE1 Lutron Digital EcoSystem DALI DALI-2 Driver PoE Power over Ethernet DMX ¹ DMX512	7a - Housing W White BLK Black CC ¹ Custom Color 7b - Louver W White BLK Black	T 9/16" Tee Grid T15 15/16" Tee Grid SG Slot Grid/Interlude F Flange NT Mud-in Flange PM-X Perimeter Mount MW ² Millwork
<small>¹Must use DB Driver</small>	<small>¹Set to default address 001. Contact us for other addressing needs.</small> <small>²For compatible dimmers, click here.</small> <small>All drivers remote</small>	<small>¹Custom Color. See finish options here.</small> <small>White SI cord and canopy provided; for other requests, see section 12 to specify.</small>	<small>¹'X' denotes mounting type on opposite side of wall (eg PM-NT).</small> <small>²Consult Factory</small>
Optics <input type="text" value="9"/>	Sensors/Controls <input type="text" value="10"/>	Circuit <input type="text" value="11"/>	Options <input type="text" value="12"/>
SP 24° Beam FL 36° Beam WFL 55° Beam	NA None ACM Acuity nLight Module Only CCS Casambi Module AWNRR Lutron Athena Wireless Node Module	NA None EMPCK Emergency Battery Pack EMCKT Emergency Circuit DAYCKT Daylight Circuit	NA None
<small>All control systems are remote. Consult factory for other options.</small>			

Performance

Output ¹	Watts/ft	Lumens/ft
Low	4	312
Medium	6	469
High	8	625

¹Based on 'WFL' option, black louver, 90 CRI, 3500K luminaire using one driver.

Custom outputs available. Please consult factory.
For 4000K multiply by 1.05; for 3000K 0.96; for 2700K, 0.92

Technical Information



click [here](#) or scan QR code

Wiring diagrams, PoE and sensor details

Modification date: February 2023

Rush Sharp recessed

Drivers & Electrical

Remote, dimmable drivers are supplied in enclosures. For remote driver box sizes, click [here](#).

Emergency Back-Up

For fixtures three-feet or longer, a 4W integral emergency driver may be wired to 4ft sections. 7W, 10W, and 12W drivers are also available (not all integral; consult factory). Emergency circuits for use with building generators are also available.

PoE (Power over Ethernet)

Compatible with virtually all PoE systems including Moxel Coresync, Igor, Smartengine, Platformatics, and NuLED SPICEbox. Consult Factory for systems not listed, See [here](#) for more info.

Finishes

All luminaires are finished in high quality polyester powder coating. Our standard color is white. Any RAL color may be specified.

Weight

1 lb per foot

Optics

Glare free, beam shaping optical cells.

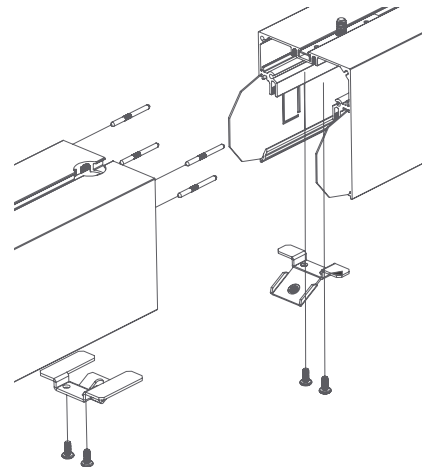
Construction

Extruded, recycled aluminum housing with formed steel ends.

Joined runs

Runs of any length* may be specified and are comprised of multiple, factory-engineered, joined sections. Individually specified luminaires are not field joinable.

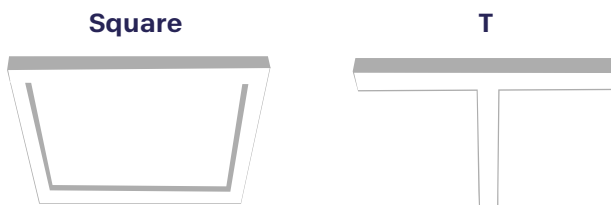
*Custom lengths available in 12" nominal increments



Representative joinery. For product specific details see installation guides or submittal drawings.

Patterns

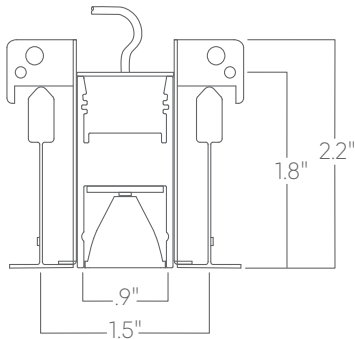
Featuring illuminated welded corners and angles. Consult factory for custom designs.



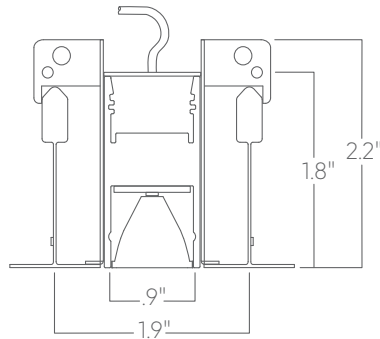
Rush Sharp recessed

Mounting Options

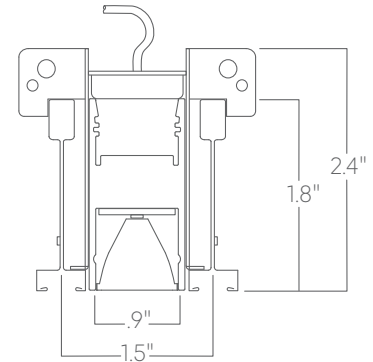
Custom mounting types and ceiling transitions available; consult factory.



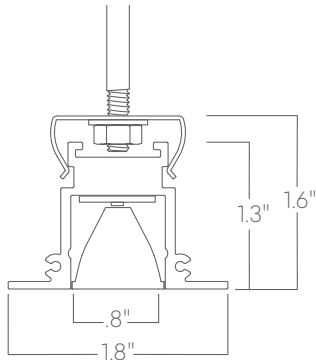
T
9/16" tee grid



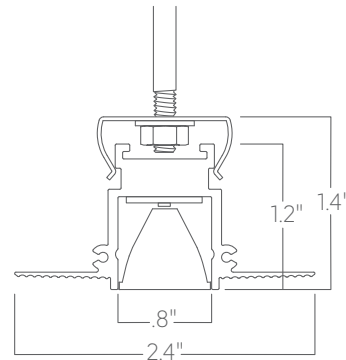
T15
15/16" tee grid



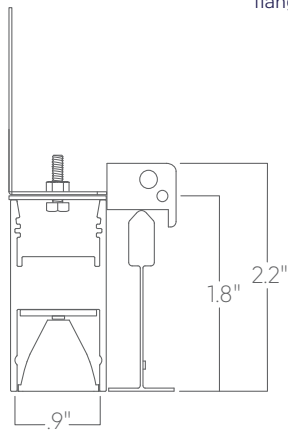
SG
slot grid



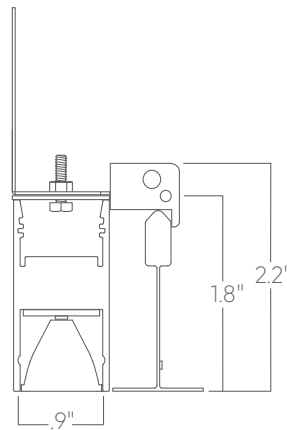
F
flange



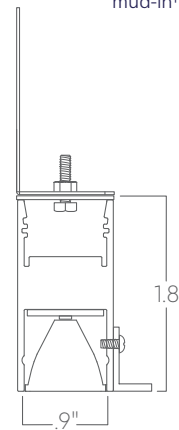
NT
mud-in¹



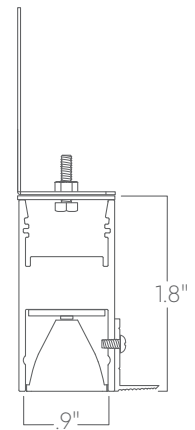
PM-T
perimeter to 9/16" tee grid



PM-T15
perimeter to 15/16" tee grid



PM-F
perimeter to flange



PM-NT
perimeter to mud-in

¹Installation that alters aperture width compromises lens security. Installer must ensure aperture width is maintained.