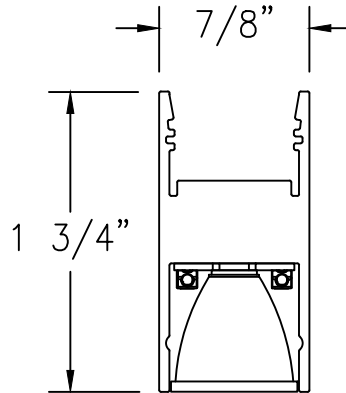




Risk of fire and electrical shock. In accordance with national local building and electrical codes, CORONET lighting fixtures must be installed by a qualified electrician. Disconnect power at electrical panel before servicing.

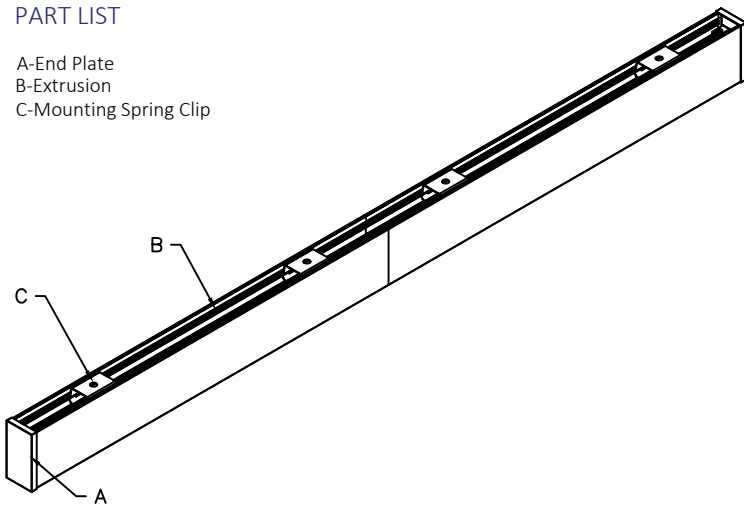
### CROSS SECTION VIEW



### ISOMETRIC VIEW

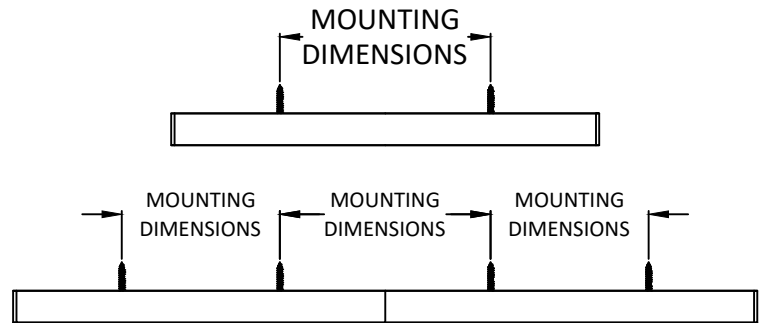
#### PART LIST

- A-End Plate
- B-Extrusion
- C-Mounting Spring Clip



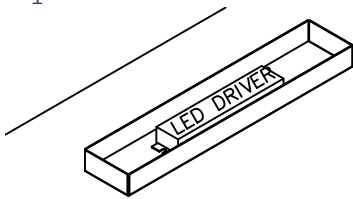
NOTE: THIS FIXTURE REQUIRES A REMOTE LED DRIVER.

### SIDE VIEW



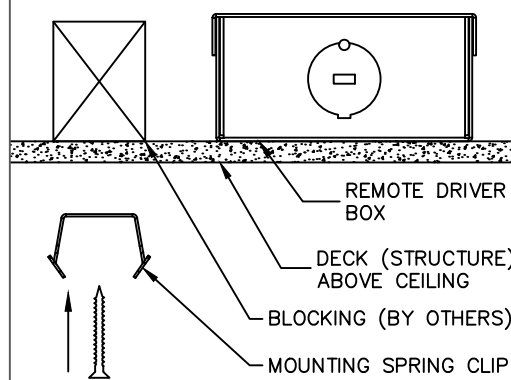
PLEASE CONSULT FACTORY SHOP DRAWINGS FOR MOUNTING POINTS.

1



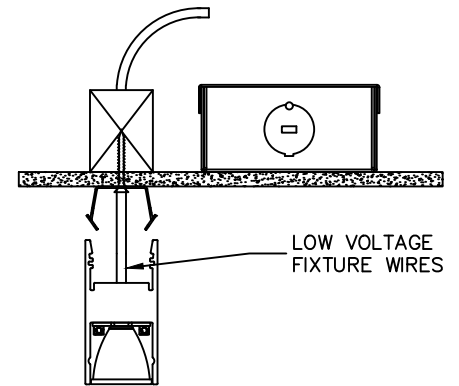
Install the remote driver box above the ceiling.

2



Before mounting the fixture to the deck (structure) above the ceiling, install the spring clip to the deck using an 8-32 screw (hardware by others). Consult factory drawings for distance between spring clips on the fixture run.

3



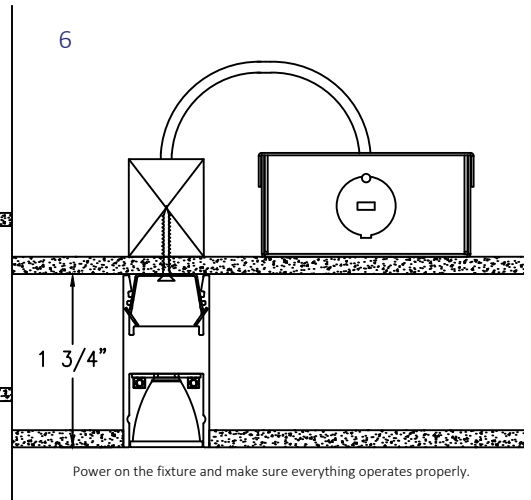
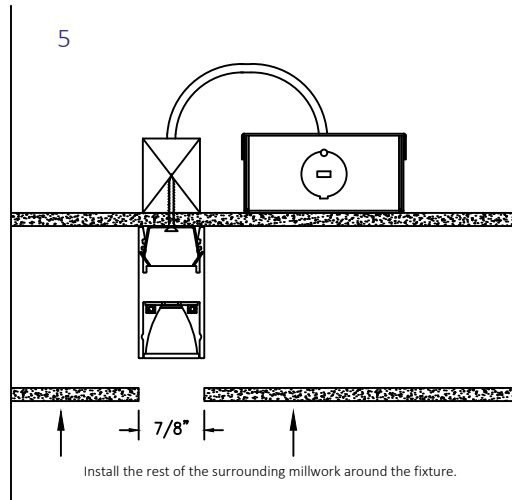
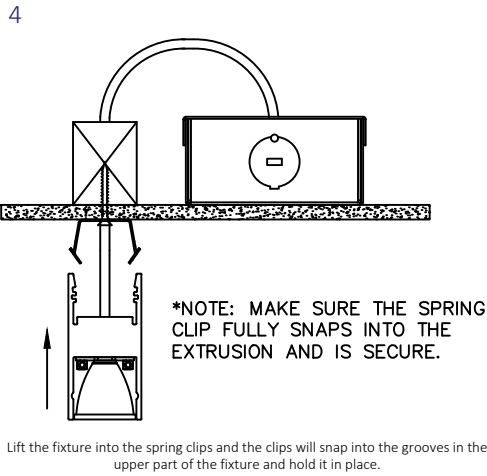
Drill a hole of at least 1/4" diameter through the deck above and run the low voltage wiring from the fixture through the hole and into the remote driver box. Make all necessary electrical connections at the remote driver box.

INDIVIDUAL FIXTURES ARE NOT INTENDED FOR CONTINUOUS RUNS.  
ADDITIONAL SUPPORTS TO THE STRUCTURE MAY BE REQUIRED.  
\*CHECK WITH YOUR LOCAL BUILDING CODE FOR THOSE REQUIREMENTS.

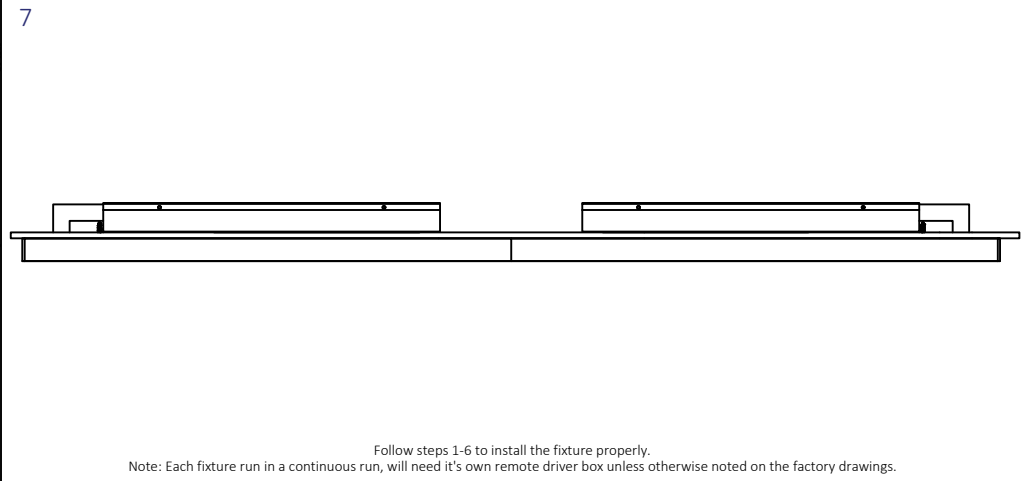
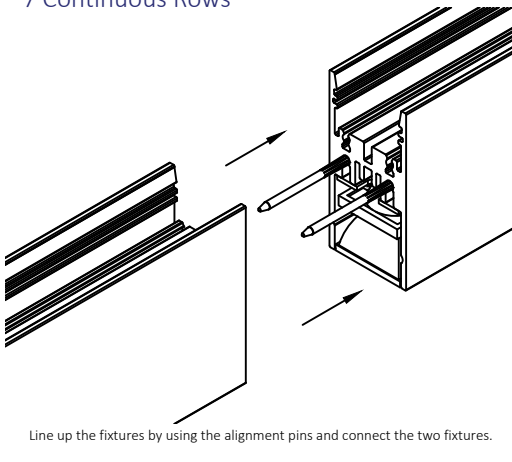
### INSTALLATION GUIDE-MILLWORK



Risk of fire and electrical shock. In accordance with national local building and electrical codes, CORONET lighting fixtures must be installed by a qualified electrician. Disconnect power at electrical panel before servicing.



### 7 Continuous Rows



### GENERAL INSTALLATION CONSIDERATIONS - See submittal drawings for job specific data.

Operating Temperature.....-40°C to 50°C  
 Operating Voltage.....110VAC-277VAC, 50Hz-60Hz  
 Weight.....lb/ft  
 Dimensions.....See submittal drawings

- Installation by a certified electrician only.
- Read and understand the installation instructions before attempting to install or use the fixture.
- Only use fixtures with voltage for which it is rated. Do not exceed the specified voltage and current input.
- Do not use the fixture if the housing, lens, or power cable is damaged.
- Ensure that the main power supply is off before installing or wiring the fixture.
- Method of wire connection to be determined by local electrical codes and regulations.
- The external flexible cable of this luminaire cannot be field replaced; if the cord is damaged, contact Coronet.
- The light source contained in this luminaire shall only be replaced by the lighting manufacturer or his service agent or a similar qualified person.

INDIVIDUAL FIXTURES ARE NOT INTENDED FOR CONTINUOUS RUNS.  
 ADDITIONAL SUPPORTS TO THE STRUCTURE MAY BE REQUIRED.  
 \*CHECK WITH YOUR LOCAL BUILDING CODE FOR THOSE REQUIREMENTS.