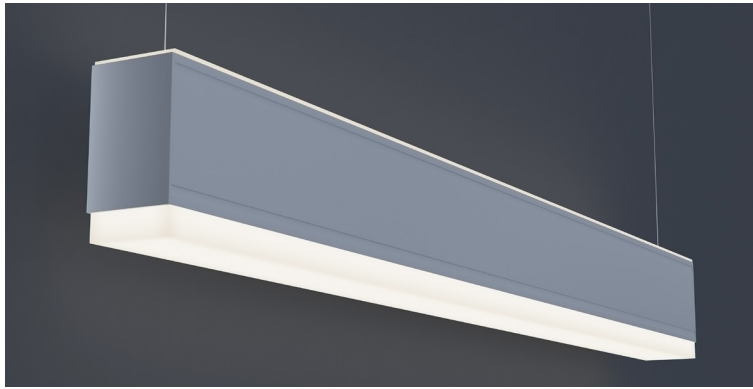





DATE \_\_\_\_\_ PROJECT \_\_\_\_\_ FIRM \_\_\_\_\_ TYPE \_\_\_\_\_



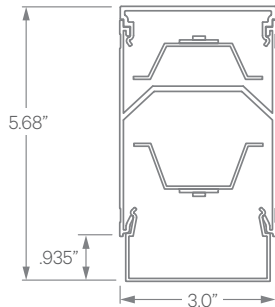
Direct and indirect, architectural luminaire with pop-out lenses. For use in indoor applications where an LED luminaire providing continuous light is required. Suitable for suspended and wall mount installation.

### FEATURES

- Available In Made To Measure Lengths Accurate Up To 1/16"
- Patterns Available (See Page 2)
- Damp Location Rated
- CRI 90+ Standard; R9>50
- 5 Year, 50,000 Hour Fixture Warranty
- 2700K, 3000K, 3500K, 4000K & 5000K Color Temperatures Available
- Available with PoE

<b>APPLICATIONS</b>	Offices, Lobbies, Retail Stores, Classrooms, Reception Areas & Corridors		
<b>CONSTRUCTION</b>	Extruded Aluminum Housing with Die Cast Ends. Formed Steel Gear Tray	<b>OPTICS</b>	'Pop-Out Lens' on both the Indirect (.25") and Direct (1") components. Extruded High Transmission Satin Acrylic Lens with No LED Imaging
<b>WARRANTY</b>	5 Year Limited Warranty (Covers Standard Components)	<b>FINISH</b>	Standard Powder-Coated White. Custom RAL Colors Available
<b>FIXTURE RATINGS &amp; CERTIFICATIONS</b>	Union Made ETL Listed	Made In The USA Damp Location Rated	 
<b>ELECTRICAL</b>	Integral Driver with 0-10V Dimming Standard. Several Driver Options Available		<b>DRIVERS &amp; SENSORS</b>  For Wiring Diagrams and Sensor Information Click <a href="#">Here</a>

### EXTRUSION DIMENSIONS



### LED SYSTEM INFORMATION

	Nominal System Watts		Nominal Delivered Lumens		Nominal Efficacy
	DIRECT	INDIRECT	DIRECT	INDIRECT	
Standard (LTG1)	7 W/ft	7 W/ft	560 lm/ft	680 lm/ft	87 LPW
Low (LTG2)	5 W/ft	5 W/ft	400 lm/ft	495 lm/ft	88 LPW
High (LTG3)	9.5 W/ft	9.5 W/ft	725 lm/ft	900 lm/ft	85 LPW

Based on a 3500K luminaire using one driver. Custom outputs available; specify below.

**ORDERING**

1 2 3 IN - 4-INDIRECT D - 4-DIRECT 5 6 7 8 IN - 9-INDIRECT D - 9-DIRECT 10

<b>1 - FIXTURE ID</b> <b>LS3 POL UPDN</b>	<b>2 - LENGTH</b> 2 - 2 ft 4 - 4 ft 8 - 8 ft X'-X" - Specify Length PAT - Pattern (Consult Factory)	<b>3 - COLOR TEMP</b> 27 - 2700K/90 CRI 30 - 3000K/90 CRI 35 - 3500K/90 CRI 40 - 4000K/90 CRI 50 - 5000K/90 CRI TW* - Tunable White RGBW** - RGB + 3000K *Must use DMX or TW10 Driver **Must use DMX Driver	<b>4 - LED SYSTEM</b> <b>IN-INDIRECT</b> LTG1 - Standard LTG2 - Low LTG3 - High LTGC - Custom Output	<b>D - DIRECT</b> LTG1 - Standard LTG2 - Low LTG3 - High LTGC - Custom Output	<b>5 - VOLTAGE</b> UNV - Universal (120/277V)	<b>6 - DRIVER</b> DB - Standard Dimming (0-10V) DB1% - 1% Dimming (0-10V) DB.1% - 0.1% Dimming (0-10V) LTEA - Lutron 2-wire 1% Dimming (120V only) LDE1 - Lutron Digital EcoSystem LDE5 - 5 Series EcoSystem; 5% Dimming PoE - Power over Ethernet. Consult Factory for Compatibility DMX - For Color Tuning and RGBW (Remote) TW10 - Dual Channel, 0-10V For Color Tuning (CCT and Intensity Control)
<b>7 - FINISH</b> W - White (Standard) BLK* - Black CC* - Custom Color (provide RAL number**)	<b>8 - MOUNTING</b> AC - Air Craft Cable (50") WM - Wall Mount	<b>9 - OPTICS</b> <b>IN-INDIRECT</b> POL - Pop-Out Lens (.25")	<b>D - DIRECT</b> POL - Pop-Out Lens (1")	<b>10 - OTHER OPTIONS</b> EM 120V - Emergency Pack EM 277V - Emergency Pack EMCKT - Emergency Circuit		

\*White cord and canopy provided.  
 Must specify for other requests.  
 \*\* (See [here](#) for finish options)

DATE

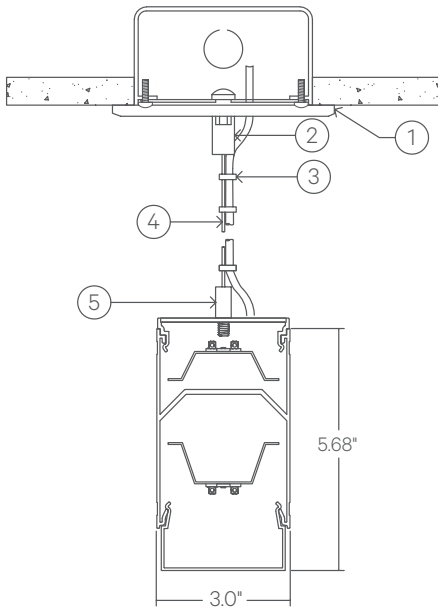
PROJECT

FIRM

TYPE

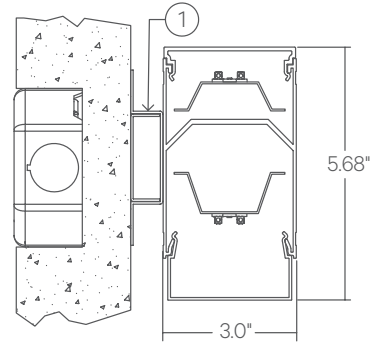
### MOUNTING OPTIONS

#### AC - Air Craft Cable (50")



- 1 - 5" Round Canopy (Standard White Finish)
- 2 - Canopy Retainer
- 3 - S-JT Cord (Standard White)
- 4 - Air Craft Cable
- 5 - Gripper

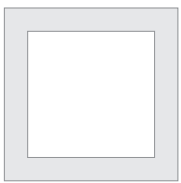
#### WM - Wall Mount



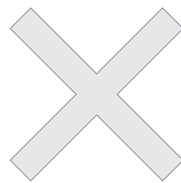
- 1 - 0.75" Wall Mount Bracket

### PATTERNS

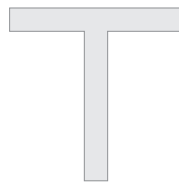
Patterns feature illuminated corners and angles. **Must consult factory for custom corners and patterns.**



Square Patterns



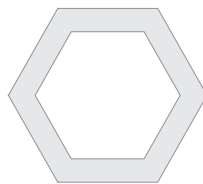
X Patterns



T Patterns

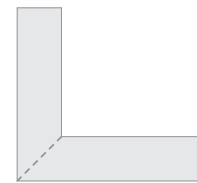


Custom Angles



Custom Patterns

### LENS CUT



Mitered