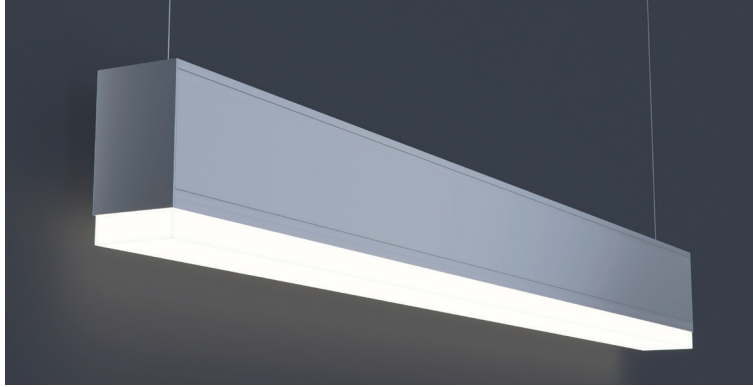


DATE	PROJECT	FIRM	TYPE
------	---------	------	------



Linear, architectural luminaire with 1" drop below pop-out lens. For use in indoor applications where an LED luminaire providing continuous light is required. Suspended, surface or wall mounted installation.

### FEATURES

- Available In Custom Lengths & Long Runs To 1/16" Accuracy
- Corners & Patterns Available (See Page 2)
- Damp Location Rated
- CRI 90+ Standard
- 2700K, 3000K, 3500K, 4000K & 5000K Color Temperatures Available
- Enlighted/Wattstopper Sensors Available

<b>APPLICATIONS</b>	Offices, Lobbies, Retail Stores, Classrooms, Reception Areas & Corridors
---------------------	--

<b>CONSTRUCTION</b>	Extruded Aluminum Housing, Cast Steel End Caps, Formed Steel Gear Tray	<b>OPTICS</b>	Extruded High Transmission Satin Acrylic Lens With No LED Imaging. Additional Optics Available
---------------------	--	---------------	--

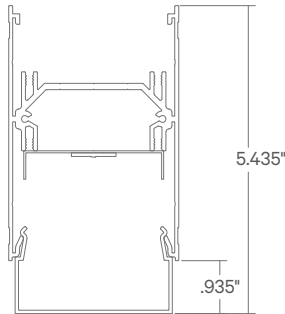
<b>WARRANTY</b>	5 Year Limited Warranty (Covers Standard Components)	<b>FINISH</b>	Standard Powder-Coated White. Custom RAL Colors Available
-----------------	--	---------------	---

<b>FIXTURE RATINGS &amp; CERTIFICATIONS</b>	Union Made ETL Listed	Made In The USA Damp Location Rated
---	--------------------------	--



<b>ELECTRICAL</b>	Integral Driver With 0-10V 10% Dimming Standard. Several Driver Options Available. See Below For Lutron Dimming Information
-------------------	---

### EXTRUSION DIMENSIONS



### LED SYSTEM INFORMATION

	Nominal System Watts	Nominal Delivered Lumens	Nominal Efficacy
Standard (LTG1)	7.25 W/ft	580 Lm/ft	80 Lm/W
Low (LTG2)	5 W/ft	400 Lm/ft	80 Lm/W
High (LTG3)	8.75 W/ft	670Lm/ft	78 Lm/W

Based on a 3500K luminaire using one driver. Please consult factory for custom lumen outputs & wattage.

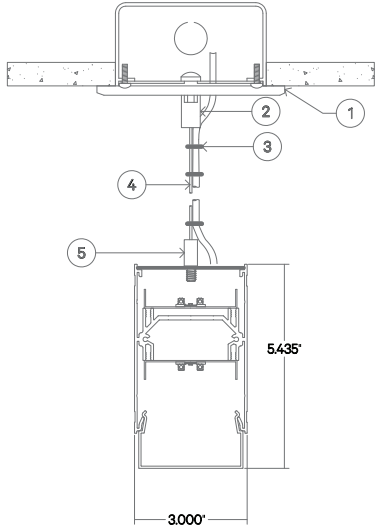
<b>ORDERING</b>	1	2	3	4	5	6	7	8	9	10
-----------------	---	---	---	---	---	---	---	---	---	----

<b>1 - FIXTURE ID</b> LS3 POL LED	<b>2 - LENGTH</b> 2 - 2 ft 4 - 4 ft 8 - 8 ft x'-x" - Custom (specify length)  **Patterns available consult factory	<b>3 - COLOR TEMP</b> 27 - 2700K/90 CRI 30 - 3000K/90 CRI 35 - 3500K/90 CRI 40 - 4000K/90 CRI 50 - 5000K/90 CRI TW* - Tunable White RGBW* - RGB + 3000K  *Must use DMX Driver (Remote)	<b>4 - LED SYSTEM</b> LTG1 - Standard LTG2 - Low LTG3 - High C - Custom Output (ie-C550Lm/ft)	<b>5 - VOLTAGE</b> UNV - Universal (120/277V)	<b>6 - DRIVER (Remote)</b> DB - Standard 10% Dimming (0-10V) DB1% - 1% Dimming (0-10V) DB.01% - .01% Dimming (0-10V) LTEA - Lutron 2-wire 1% Dimming L3DA - Lutron 3-wire 1% Dimming LDE1 - Lutron Digital EcoSystem LDE5 - 5 Series EcoSystem; 5% Dimming DMX - For Color Tuning and RGBW (Remote mounted)
<b>7 - FINISH</b> W - White (Standard) BLK - Black CC - Custom Color (provide RAL#)	<b>8 - MOUNTING</b> AC - Aircraft Cable (50") AC - Aircraft Cable SM - Surface Mount	<b>9 - CONTROL (Optional)</b> EIS - Integral Sensor by Enlighted WIS - Integral Sensor by Wattstopper	<b>10 - CIRCUIT (Optional)</b> WW - Wall Wash Reflector EM 120V - Emergency Pack EM 277V - Emergency Pack		

DATE	PROJECT	FIRM	TYPE
------	---------	------	------

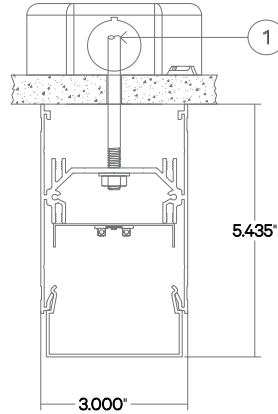
## MOUNTING OPTIONS

AC - Air Craft Cable (50")



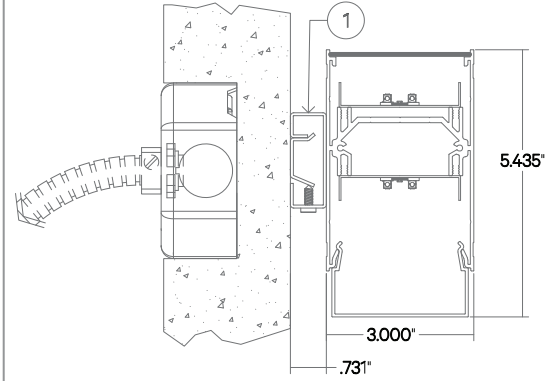
- 1 - 5" Round Canopy (Standard White Finish)
- 2 - Canopy Retainer
- 3 - SJT Cord (Standard White)
- 4 - Air Craft Cable
- 5 - Gripper

SM - Surface Mount



- 1 - Threaded Rod (not supplied)

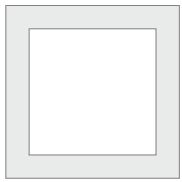
WM - Wall Mount



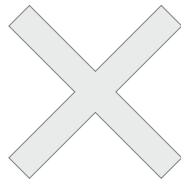
- 1 - 0.75" Wall Mount Bracket

## CORNERS & PATTERNS

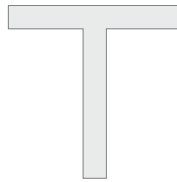
Available with illuminated corners, angles, and custom patterns. **Must consult factory for custom corners and patterns.**



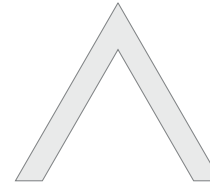
Square Patterns



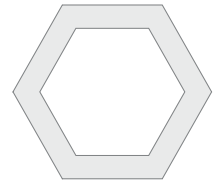
X Patterns



T Patterns



Custom Angles



Custom Patterns