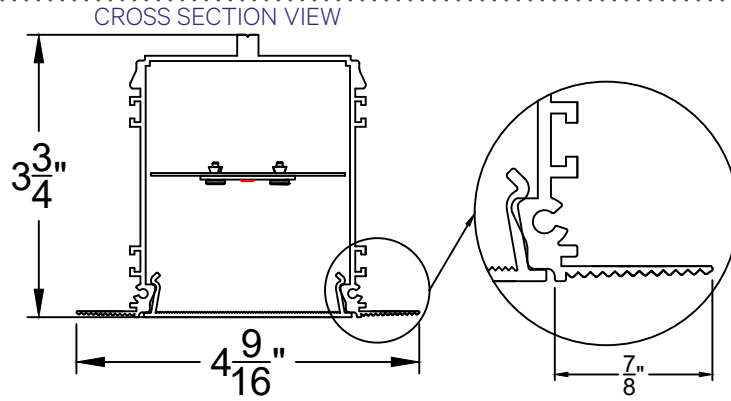


INSTALLATION GUIDE-RECESSED



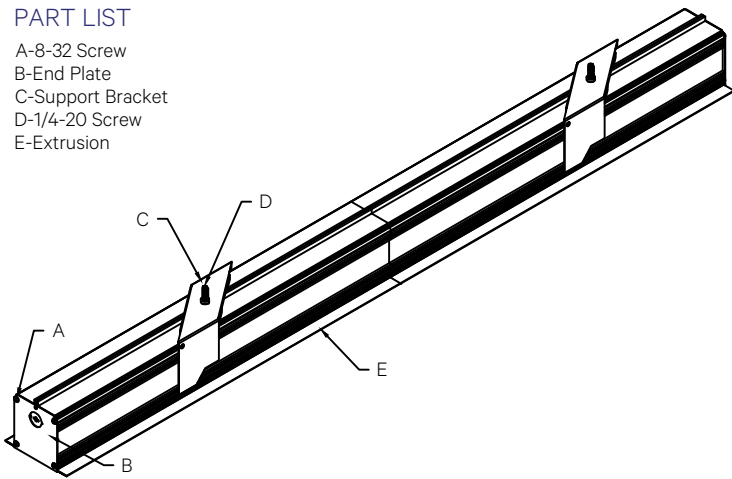
Risk of fire and electrical shock. In accordance with national local building and electrical codes, CORONET lighting fixtures must be installed by a qualified electrician. Disconnect power at electrical panel before servicing.



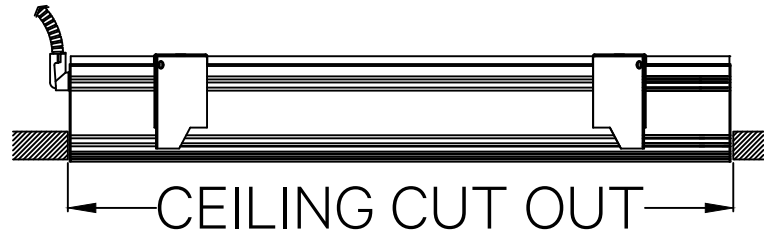
ISOMETRIC VIEW

PART LIST

- A-8-32 Screw
- B-End Plate
- C-Support Bracket
- D-1/4-20 Screw
- E-Extrusion

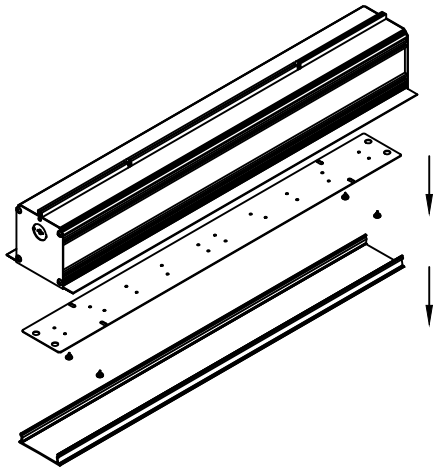


SIDE VIEW



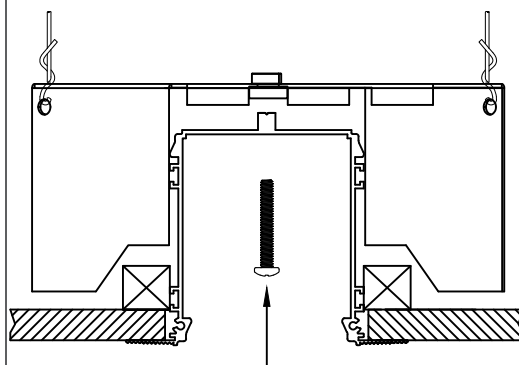
PLEASE CONSULT FACTORY SHOP DRAWINGS FOR CEILING CUT OUT DIMENSIONS.

1 Option 1



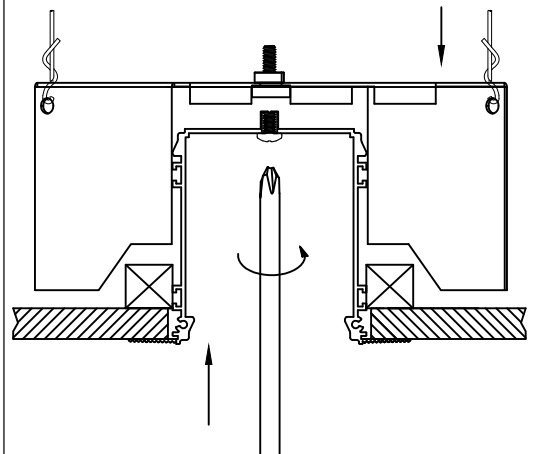
Remove the lens and led tray before installing into the ceiling.
*Warning: Before making the ceiling cutout, power cable must be located in the appropriate area.

2



Install the fixture into the ceiling using the provided 1/4-20 machine screws.

3



As you tighten the 1/4-20 machine screw with the nut, the support bracket and fixture will secure snugly to the ceiling. The bracket will rotate as well.

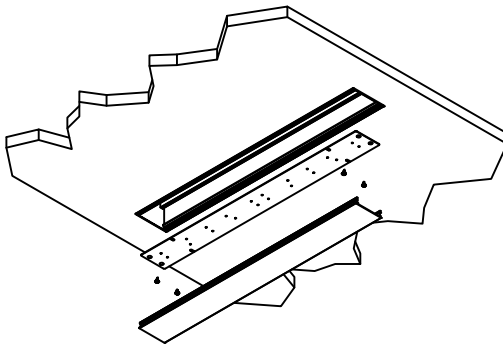
INDIVIDUAL FIXTURES ARE NOT INTENDED FOR CONTINUOUS RUNS.
ADDITIONAL SUPPORTS TO THE STRUCTURE MAY BE REQUIRED.

*CHECK WITH YOUR LOCAL BUILDING CODE FOR THOSE REQUIREMENTS.



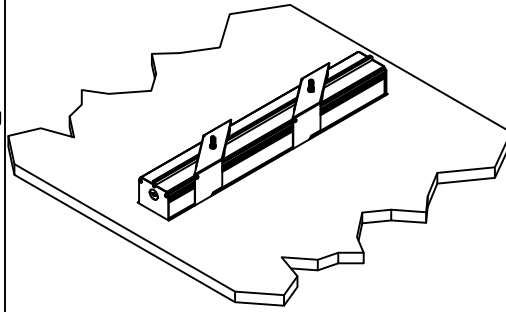
Risk of fire and electrical shock. In accordance with national local building and electrical codes, CORONET lighting fixtures must be installed by a qualified electrician. Disconnect power at electrical panel before servicing.

4



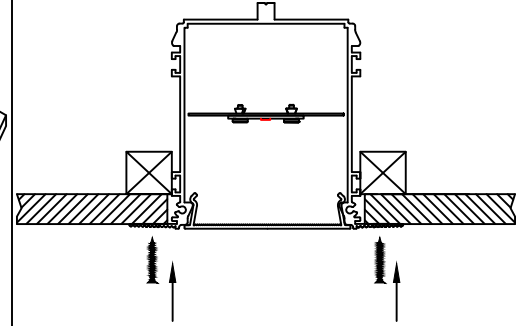
Reinstall the LED Tray and Lens into the fixture.

5



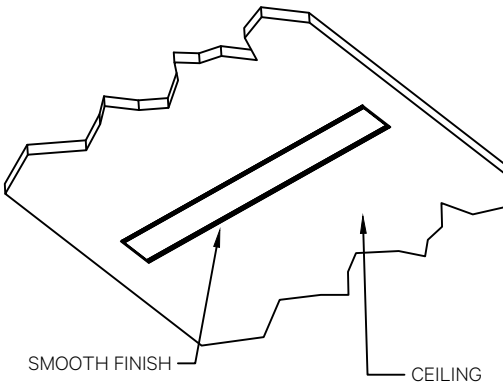
Finish installing the rest of the fixture into the ceiling.

6 Option 2



Install the fixture by screwing through the flange into the ceiling.

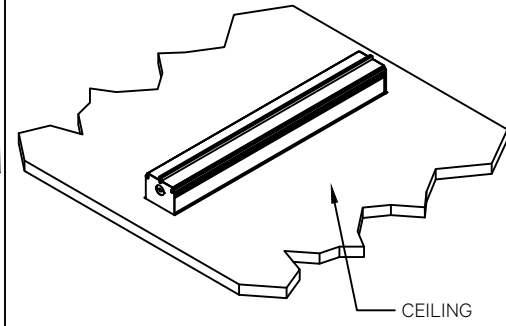
7



SMOOTH FINISH
CEILING

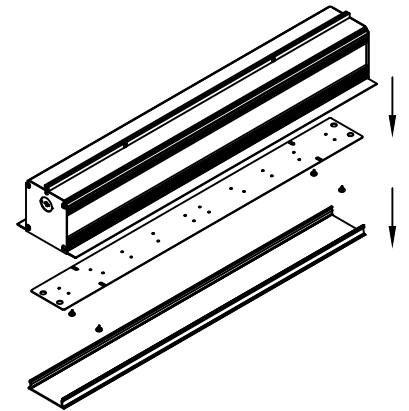
Spackle up to the side of the fixture covering the flange and screws. Sand to create a smooth finish.
Note: Clean up any sand or plaster inside the fixture.

8



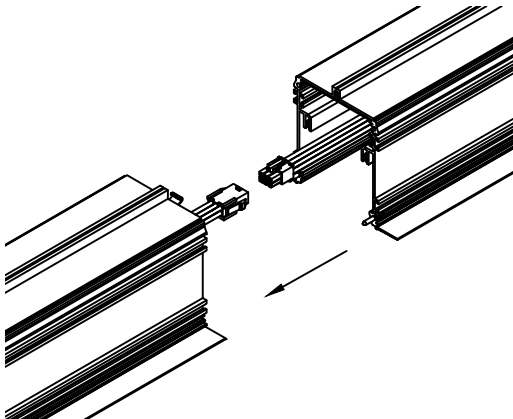
Finish installing the rest of the fixture into the ceiling.

9 Continuous Rows



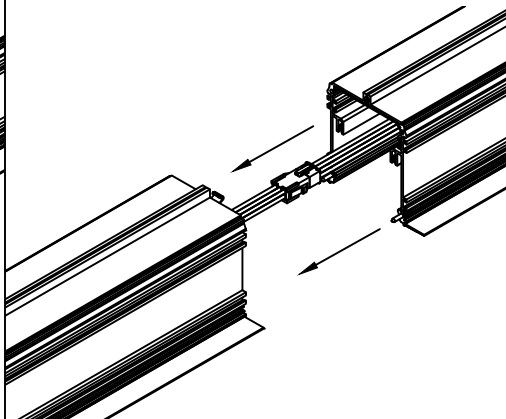
Before connecting the two fixtures together, remove the LED tray and lens.

10



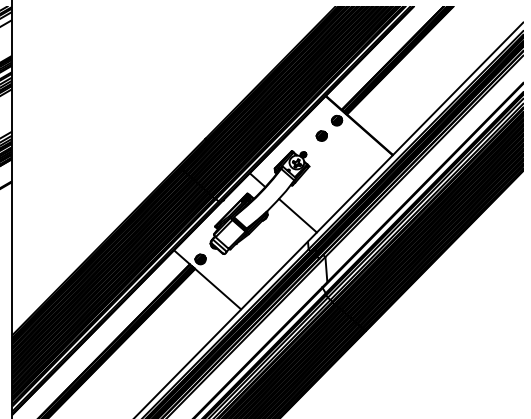
Connect the wiring harnesses together.

11



Align the two fixtures using the alignment pins.
Warning: Keep hands clear of connection.

12

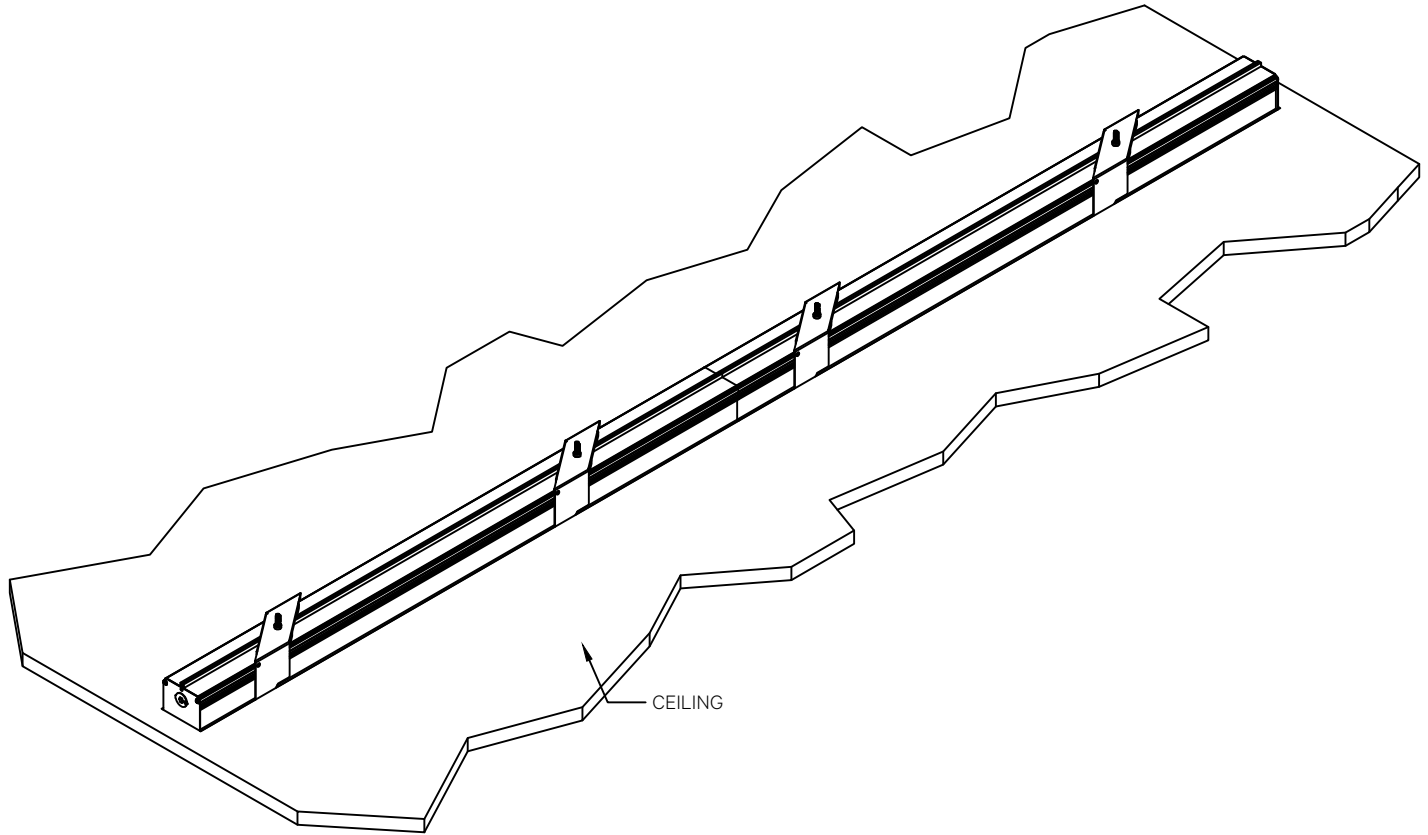


Use the catch and latch to securely connect the two fixtures together.



Risk of fire and electrical shock. In accordance with national local building and electrical codes, CORONET lighting fixtures must be installed by a qualified electrician. Disconnect power at electrical panel before servicing.

13



Follow steps 2-7 again to mount the fixture in place correctly.

GENERAL INSTALLATION CONSIDERATIONS - See submittal drawings for job specific data.

Operating Temperature.....-40°C to 50°C
 Operating Voltage.....110VAC-277VAC, 50Hz-60Hz
 Weight.....2.8 lb/ft
 Dimensions.....See submittal drawings

- Installation by a certified electrician only.
- Read and understand the installation instructions before attempting to install or use the fixture.
- Only use fixtures with voltage for which it is rated. Do not exceed the specified voltage and current input.
- Do not use the fixture if the housing, lens, or power cable is damaged.
- Ensure that the main power supply is off before installing or wiring the fixture.
- Method of wire connection to be determined by local electrical codes and regulations.
- The external flexible cable of this luminaire cannot be field replaced; if the cord is damaged, contact Coronet.
- The light source contained in this luminaire shall only be replaced by the lighting manufacturer or his service agent or a similar qualified person.