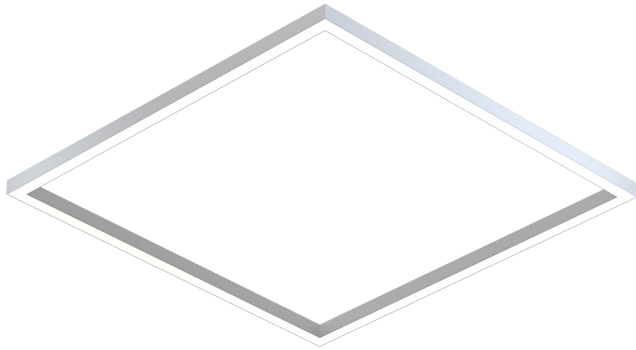


Square 4x4

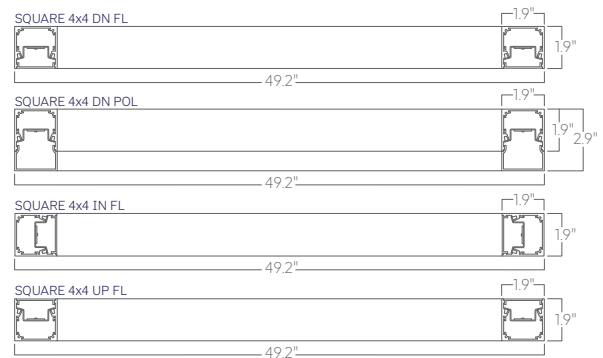


Our Performance Decorative luminaires offer a variety of decorative forms and sizes suitable for any modern space.

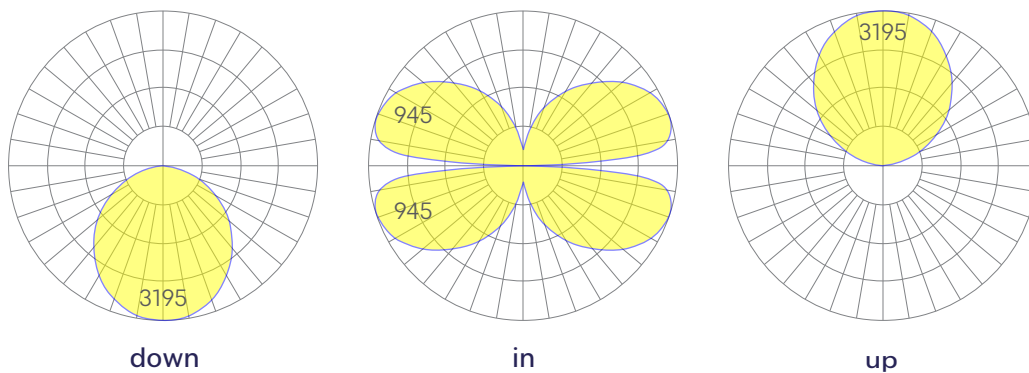
Features

- Power Over Wire system eliminates power cord
- Indirect, direct, or indirect/direct light distribution
- Extruded recycled aluminum
- Specifiable color temperature. CRI > 90, R9 >50
- Specifiable dimmable drivers or PoE
- Custom colors and wood finishes finishes available
- 5 Year, 50,000 hour warranty, damp location rated
- WELL Building Standard compatible [learn more](#)

Dimensions



Optics



Representative distribution and peak candela. For other options see order information or IES files [here](#).

Square 4x4

Ordering Information

1 - 2 - 3 - 4 - 5 - 6 - 7 - 8 - 9 - 10 - 11 - 12

Example: SQUARE - X - 35 - MED - UNV - DB - W - ACP - SD - CCS - DAYCKT - NA

Fixture ID 1	Size 2	Color Temperature 3	Output 4
SQUARE	4x4	27 2700K/90 CRI 30 3000K/90 CRI 35 3500K/90 CRI 40 4000K/90 CRI 50 5000K/90 CRI WD¹ Warm Dim 2200K-3000K TW² Tunable White 2700K-6500K RGBW30³ RGB +white, 3000k RGBW35³ RGB +white, 3500k RGBW40³ RGB +white, 4000k <small>¹Must use WD10 driver. ²Must use TW10 or PSQ driver. ³Must use remote DMX driver. "High" output not available.</small>	LOW Low output MED Medium output HIGH High output CUST Custom output ¹ <small>¹consult factory</small>
Voltage 5	Driver 6	Finish 7	Mounting 8
UNV Universal (120/277V) 347V¹ 347V	DB Standard 0-10V 1% DB.1% 0-10V 0.1% ELV² Reverse Phase 1% (120V only) TRI² Forward phase (120V only) LDE1 Lutron Digital EcoSystem JA8 JA8 compliant 1% dimming DALI DALI-2 Driver PoE Power over ethernet. TW10 2 ch, 0-10V for tunable white. WD10 0-10V Warm Dim PSQ Lutron T-Series 2-channel 1% for tunable white DMX¹ DMX512 <small>¹Set to default address 001. Contact us for other addressing needs. All DMX drivers provided in remote enclosures. ²For compatible dimmers, click here.</small>	W White BLK Black SLV Silver CC¹ Custom Color CWF¹ Custom Wood Finish <small>¹Custom Color. See finish options here. White SJ cord and canopy provided; for other requests, see section 12 to specify.</small>	ACP Power Over Aircraft Cable SM Surface Mount PS-X Pendant Stem (12", 18", 24", 36", 48")
Optics 9	Sensors/Controls 10	Circuit 11	Options 12
FL/DWN Flush lens, downward facing FL/UP Flush lens, upward facing FL/IN Flush lens, inner facing POL/DN 1" Pop-out-lens, downward facing	NA None EIS Enlighted sensor WISM Wattstopper occupancy sensor WISD Wattstopper daylight sensor ACM Acuity nLight module only ACS Acuity nLight sensor CCS Casambi module AWNR Lutron Athena Wireless Node Module <small>Consult factory for other options.</small>	NA None EMPCK Emergency Battery Pack EMCKT Emergency Circuit DAYCKT Daylight Circuit	STD White Canopy + White Cord CAN-X¹ Canopy + color SJ-X² SJ Cord + color <small>¹See finish options here. ²SJ Cord only available in White or Black.</small>

Performance

Output ¹	Watts	Lumens
Low	80	6134
Medium	116	8636
High	160	11554

¹Based on a typically configured 90 CRI, 3500K luminaire using one driver.

Custom outputs available. Please consult factory.
 For 4000K multiply by 1.05; for 3000K 0.96; for 2700K, 0.92

Technical Information



click [here](#) or scan QR code

Wiring diagrams, PoE and sensor details

Modification date: February 2023

Page 2 of 4

Square 4x4

Drivers & Electrical

Our Power Over Wire system delivers power to the luminaire via suspension cables, eliminating a separate power feed. Drivers are housed in the luminaire canopy or in factory supplied remote enclosures¹. All drivers are dimmable. For remote driver box sizes, click [here](#).

¹See order information for more details.

Emergency Back-Up

Emergency, battery-powered drivers are available. Emergency circuits for use with building generators are also available.

PoE (Power over Ethernet)

Compatible with virtually all PoE systems including Molex Coresync, Igor, Smartengine, Platformatics, and NuLED SPICEbox. Consult Factory for systems not listed. See [here](#) for more info.

Weight

9 lbs

Optics

Extruded satin acrylic lenses provide excellent diffusion, high transmission, and no LED imaging.

Construction

Welded, extruded, recycled aluminum.

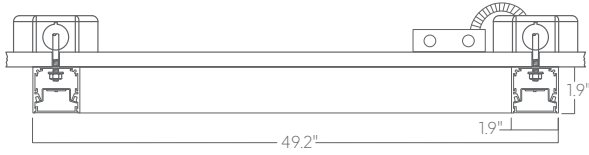
Finishes

All luminaires are finished in high quality polyester powder coating. Our standard color is white. Any RAL color may be specified.

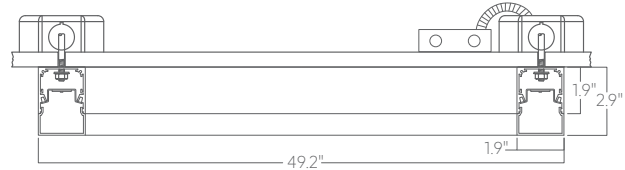
Square 4x4

Mounting

Surface mount

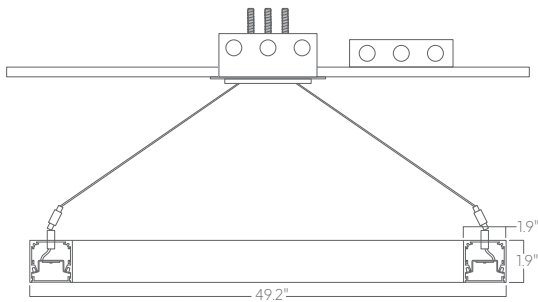


SQUARE 4x4 DN FL

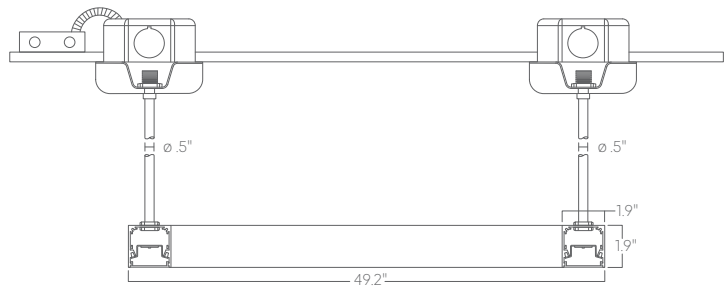


SQUARE 4x4 DN POL

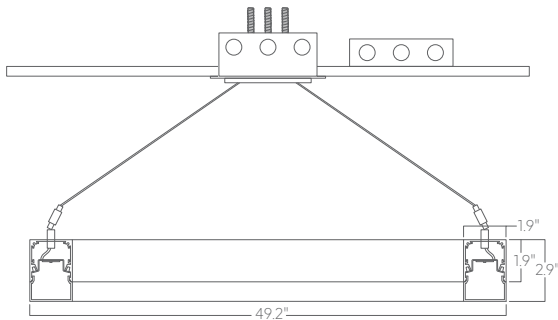
Power over aircraft cable



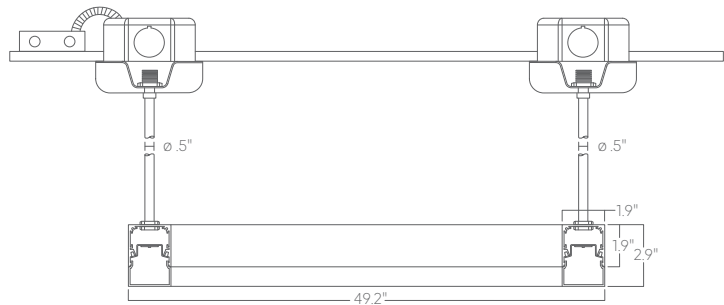
SQUARE 4x4 DN FL



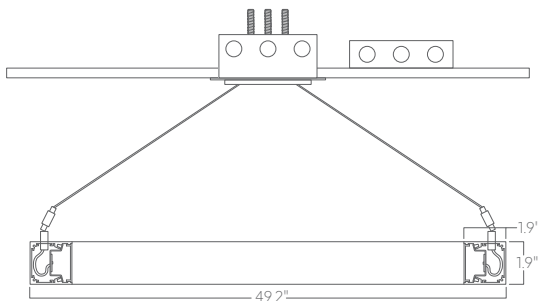
SQUARE 4x4 DN FL



SQUARE 4x4 DN POL



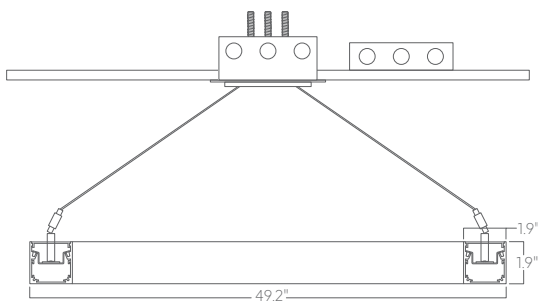
SQUARE 4x4 DN POL



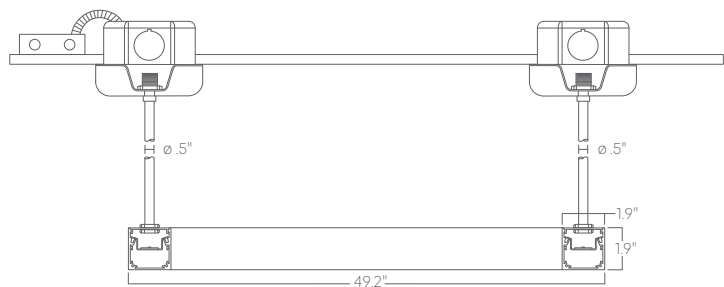
SQUARE 4x4 IN FL



SQUARE 4x4 IN FL



SQUARE 4x4 UP FL



SQUARE 4x4 UP FL

Modification date: February 2023