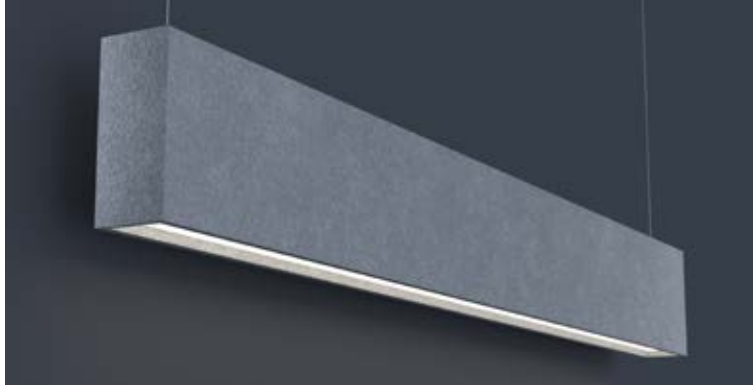




DATE	PROJECT	FIRM	TYPE
------	---------	------	------



Coronet and Turf seamlessly bring together lighting and acoustical sound control into one configurable system. Perfect for open ceiling or tall spaces to control sound and provide lighting in one fixture.

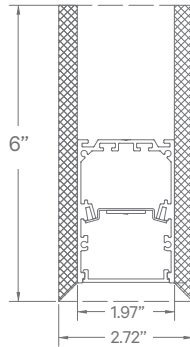
FEATURES

- NRC (Noise Reduction Coefficient): of .75
- Acoustical felt is 99% recyclable and available in 17 colors standard.
- Available In Custom Lengths & Long Runs Accurate up to 1/16"
- Damp Location Rated
- CRI 90+ Standard
- 5 Year, 50,000 Hour Fixture Warranty
- 2700K, 3000K, 3500K, 4000K & 5000K Color Temperatures Available

APPLICATIONS	Commerical Interiors, Open Offices, Retail, Hospitality, Reception Areas & Corridors		
CONSTRUCTION	Light Fixture: Aluminum Housing and Die Cast End Caps. Steel Gear Tray. Baffle: 99% Recycled Polyester Felt.	OPTICS	Extruded High Transmission Satin Acrylic Lens With No LED Imaging. Additional Optics Available.
WARRANTY	5 Year Limited Warranty (Covers Standard Components)		FINISH
FIXTURE RATINGS & CERTIFICATIONS	Union Made ETL Listed	Made In The USA Damp Location Rated	 

ELECTRICAL	Integral Driver With 0-10V 10% Dimming Standard. Several Driver Options Available. See Below For Lutron Dimming Information
	2-Wire Forward Phase; Hi-Lume 1% Dimming, Only Available For 120V LTEA
	3-Wire EcoSystem; Hi-lume 1% Dimming L3DA
	Digital EcoSystem; Hi-lume 1% Dimming, 'Soft-on Fade-to-black' (Required for Daylighting) LDE1
	5 Series EcoSystem; 5% Dimming LDE5

EXTRUSION DIMENSIONS



LED SYSTEM INFORMATION

	System Watts	Delivered Lumens	Efficacy
Standard (LTG1)	7.25 W/ft	683 Lm/ft	94 Lm/W
Low (LTG2)	5 W/ft	470 Lm/ft	94 Lm/W
High (LTG3)	8.75 W/ft	783 Lm/ft	90 Lm/W

Based on a 3500K luminaire using one driver. Please consult factory for custom lumen outputs & wattage.

ORDERING	1	2	3	4	5	6	7	8	9	10	11
1 - FIXTURE ID	2 - LENGTH	3 - COLOR TEMP	4 - LED SYSTEM	5 - VOLTAGE	6 - DRIVER						
LS - STFU	2 - 2 ft 4 - 4 ft 8 - 8 ft x'-x" - Custom (specify length)	27 - 2700K/90 CRI 30 - 3000K/90 CRI 35 - 3500K/90 CRI 40 - 4000K/90 CRI 50 - 5000K/90 CRI TW* - Tunable White RGBW* - RGB + 3000K *Must use DMX Driver (Remote)	LTG1 - Standard LTG2 - Low LTG3 - High C - Custom Output (ie-C550Lm/ft)	UNV - Universal (120/277V)	DB - Standard 10% Dimming (0-10V) DB1% - 1% Dimming (0-10V) DB.01% - .01% Dimming (0-10V) LTEA* - Lutron 2-wire 1% Dimming L3DA* - Lutron 3-wire 1% Dimming LDE1* - Lutron Digital EcoSystem LDE5* - 5 Series EcoSystem; 5% Dimming *Refer to 'Electrical' Information Above DMX - For Color Tuning and RGBW						
7 - FINISH (Fixture)	7 - FINISH (Baffle)	8 - MOUNTING	10 - OPTICS	11 - OPTIONS							
W - White (Standard) BLK - Black CC - Custom Color (provide RAL#)	01 - Cream 04 - Light Gray 06 - Charcoal 07 - Black 48 - Light Brown	ACC - Air Craft Cable To Canopy ACU - Air Craft Cable To Unistrut Channel	SD - Standard Diffuser BW - Batwing Optic ASYM - Asymmetric Optic	EM 120V - Emergency Pack EM 277V - Emergency Pack							

DATE

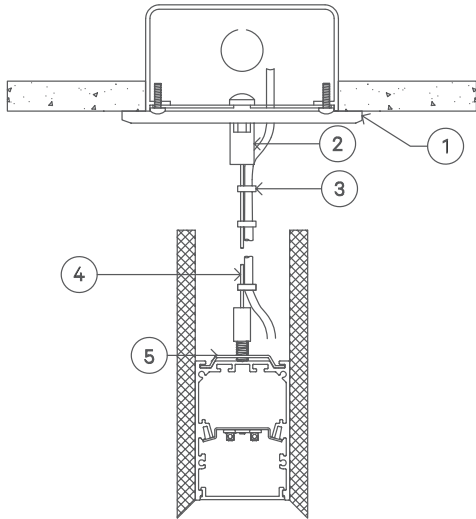
PROJECT

FIRM

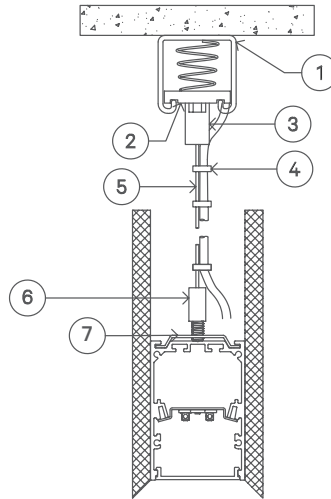
TYPE

MOUNTING OPTIONS

ACC - Air Craft Cable Mounting (50") to Canopy



ACU - Air Craft Cable Mounting (50") to Unistrut Channel



- 1 - 5" Round Canopy (Standard White Finish)
- 2 - Canopy Retainer
- 3 - SJT Cord (Standard White)
- 4 - Air Craft Cable
- 5 - Hanging Bracket

- 1 - Unistrut Channel
- 2 - Stud Nut
- 3 - Cable Retainer
- 4 - SJT Cord (Standard White)
- 5 - Air Craft Cable
- 6 - Gripper
- 7 - Hanging Bracket

DATE

PROJECT

FIRM

TYPE

BAFFLE/FELT COLORS:



01 - CREAM



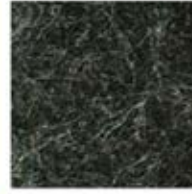
05 - WHITE



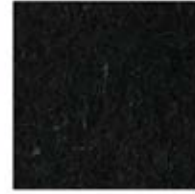
48 - LIGHT BROWN



32 - BROWN



06 - CHARCOAL



07 - BLACK



45 - YELLOW



20 - MANGO



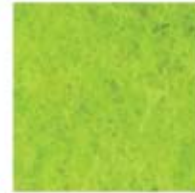
42 - ORANGE



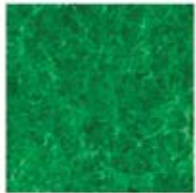
16 - RED



39 - LAVENDER



47 - LIME



14 - GREEN



25 - LIGHT BLUE



29 - DARK BLUE



38 - MATTE GRAY



04 - LIGHT GRAY

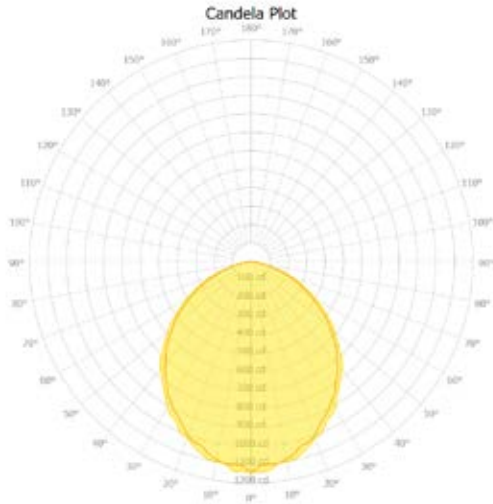
DATE

PROJECT

FIRM

TYPE

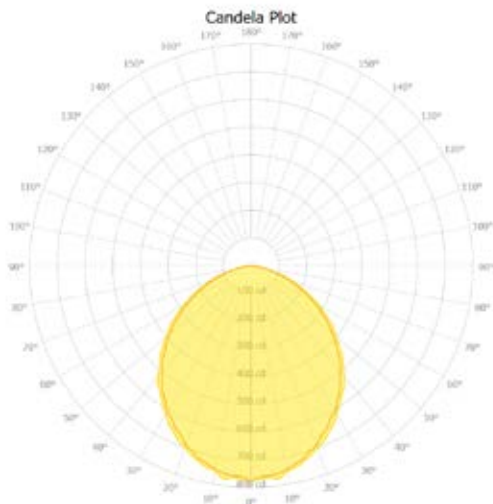
PHOTOMETRICS



LS-STFU 4FT LTG1 3500K
 DELIVERED LUMENS: 2,733Lm
 TOTAL WATTS: 29W
 EFFICACY: 94 Lumens/Watt

ZONAL LUMEN SUMMARY

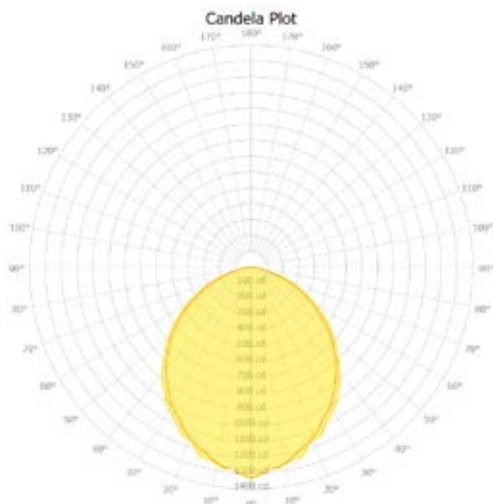
ZONE	LUMENS	% LAMP	% FIXTURE
0.00 - 30.00	838.12	22.06	30.66
0.00 - 40.00	1346.95	35.46	49.27
0.00 - 60.00	2281.95	60.07	83.48
0.00 - 90.00	2733.54	71.96	100.00
90.00 - 120.00	0.08	0.00	0.00
90.00 - 150.00	0.08	0.00	0.00
90.00 - 180.00	0.08	0.00	0.00
0.00 - 180.00	2733.54	71.96	100.00



LS-STFU 4FT LTG2 3500K
 DELIVERED LUMENS: 1,880Lm
 TOTAL WATTS: 20W
 EFFICACY: 94 Lumens/Watt

ZONAL LUMEN SUMMARY

ZONE	LUMENS	% LAMP	% FIXTURE
0.00 - 30.00	576.90	22.09	30.68
0.00 - 40.00	926.64	35.48	49.28
0.00 - 60.00	1569.75	60.10	83.48
0.00 - 90.00	1880.40	71.99	100.00
90.00 - 120.00	0.06	0.00	0.00
90.00 - 150.00	0.06	0.00	0.00
90.00 - 180.00	0.06	0.00	0.00
0.00 - 180.00	1880.40	71.99	100.00



LS-STFU 4FT LTG3 3500K
 DELIVERED LUMENS: 3,133Lm
 TOTAL WATTS: 35W
 EFFICACY: 90 Lumens/Watt

ZONAL LUMEN SUMMARY

ZONE	LUMENS	% LAMP	% FIXTURE
0.00 - 30.00	961.40	22.08	30.68
0.00 - 40.00	1544.53	35.48	49.29
0.00 - 60.00	2616.16	60.10	83.49
0.00 - 90.00	3133.48	71.98	100.00
90.00 - 120.00	0.10	0.00	0.00
90.00 - 150.00	0.10	0.00	0.00
90.00 - 180.00	0.10	0.00	0.00
0.00 - 180.00	3133.48	71.98	100.00