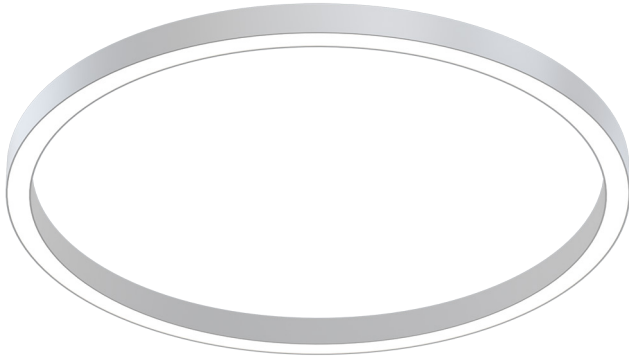


Ring 4ft direct



Our Performance Decorative luminaires offer a variety of decorative forms and sizes suitable for any modern space.

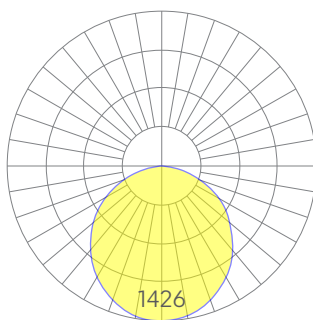
Features

- Rolled extruded aluminum
- Specifiable color temperature. CRI > 90, R9 >50
- Specifiable dimmable drivers or PoE
- Custom colors and wood finishes available
- 5 Year, 50,000 hour warranty
- WELL Building Standard compatible [learn more](#)

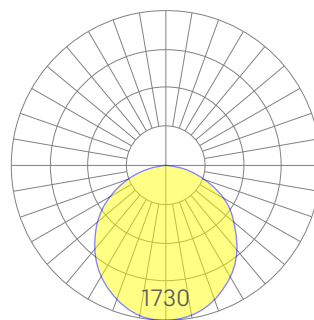
Dimensions



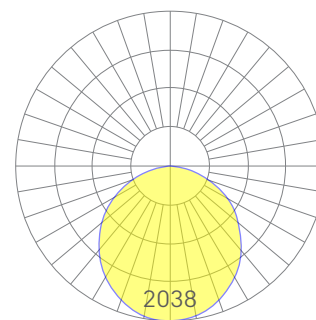
Optics



low



medium



high

Representative distribution and peak candela. For other options see order information or IES files [here](#).

Ring 4ft direct

Ordering Information



Example: RING - X - 35 - MED - UNV - DB - W - AC - SD - CCS - DAYCKT - NA

| Fixture ID | 1 | Size | 2 | Color Temperature | 3 | Output | 4 |
|--------------------------|---------------------------------|---|----|--|----|--|------------------------------|
| RING | | 4 ft | | 27 2700K/90 CRI 30 3000K/90 CRI 35 3500K/90 CRI 40 4000K/90 CRI | | LOW Low output MED Medium output HIGH High output CUST Custom output ¹ | |
| | | | | | | | ¹ consult factory |
| Voltage | 5 | Driver | 6 | Finish | 7 | Mounting | 8 |
| UNV 347V ¹ | Universal (120/277V) 347V | DB¹ Standard 0-10V 1% DB.1%² 0-10V 0.1% PoE³ Power over Ethernet | | W White BLK Black CC¹ Custom Color CWF¹ Custom Wood Finish | | AC Aircraft Cable (50") | |
| | | ¹ Driver housed in canopy. ² Driver housed in remote enclosure. ³ Housing varies. Consult factory. | | ¹ Custom Color. See finish options here. White SJ cord and canopy provided; for other requests, see section 12 to specify. | | White canopy provided. Must specify other requests. | |
| | ¹ Must use DB Driver | | | | | | |
| Optics | 9 | Sensors/Controls | 10 | Circuit | 11 | Options | 12 |
| SD Standard Diffuser | | NA None ACM Acuity nLight Module Only CCS Casambi Module | | NA None EM120V Emergency Pack EM277V Emergency Pack EMCKT Emergency Circuit DAYCKT Daylight Circuit | | NA None | |
| | | Consult factory for other options. | | | | | |

Performance

| Output ¹ | Watts | Lumens |
|---------------------|-------|--------|
| Low | 56 | 4114 |
| Medium | 70 | 4994 |
| High | 85 | 5882 |

¹Based on a typically configured 90 CRI, 3500K luminaire using one driver.

Custom outputs available. Please consult factory.
For 4000K multiply by 1.05; for 3000K 0.96; for 2700K, 0.92

Technical Information



click [here](#) or scan QR code

Wiring diagrams, PoE and sensor details

Modification date: October, 2021

Page 2 of 3

Ring 4ft direct

Emergency Back-Up

Emergency, battery-powered drivers are available. Emergency circuits for use with building generators are also available.

Drivers & Electrical

Remote, dimmable drivers are supplied in enclosures.

PoE (Power over Ethernet)

Compatible with virtually all PoE systems including Molex Coresync, Igor, Smartengine, Platformatics, and NuLED SPICEbox. Consult Factory for systems not listed, See [here](#) for more info.

Weight

15 lbs

Mounting

Optics

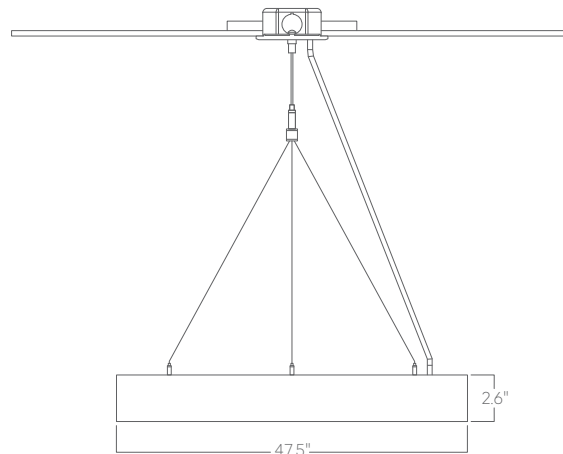
Laser-cut, cast, high-transmission acrylic lens with no LED imaging.

Construction

Rolled extruded aluminum.

Finishes

All luminaires are finished in high quality polyester powder coating. Our standard color is white. Any RAL color may be specified.



Aircraft cable