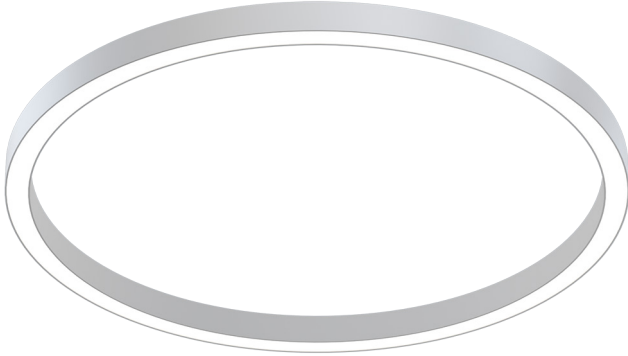


# Ring 4 ft indirect/direct

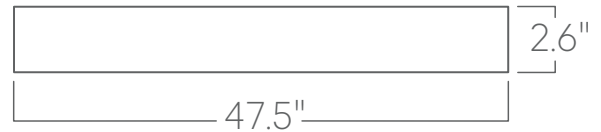


Our Performance Decorative luminaires offer a variety of decorative forms and sizes suitable for any modern space.

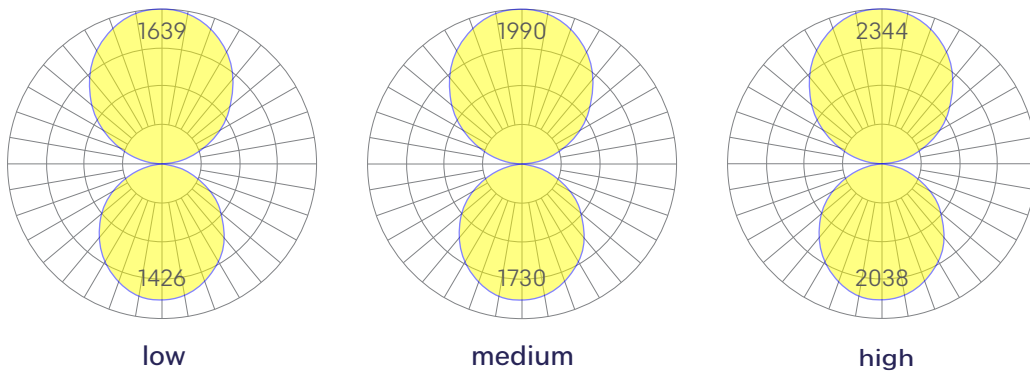
## Features

- Rolled extruded aluminum
- Specifiable color temperature. CRI > 90, R9 >50
- Specifiable dimmable drivers or PoE
- Custom colors and wood finishes finishes available
- 5 Year, 50,000 hour warranty
- WELL Building Standard compatible [learn more](#)

## Dimensions



## Optics



Representative distribution and peak candela. For other options see order information or IES files [here](#).

# Ring 4 ft indirect/direct

## Ordering Information



Example: RING UPDN - X - 35 - MED - UNV - DB - W - AC - SD - CCS - DAYCKT - NA

<b>Fixture ID</b> <input type="text" value="1"/>	<b>Length</b> <input type="text" value="2"/>	<b>Color Temperature</b> <input type="text" value="3"/>	<b>Output</b> <input type="text" value="4"/>
<b>RING UPDN</b>	<b>4</b> 4 ft	<b>27</b> 2700K/90 CRI <b>30</b> 3000K/90 CRI <b>35</b> 3500K/90 CRI <b>40</b> 4000K/90 CRI	<b>4a - Indirect</b> <b>LOW</b> Low output <b>MED</b> Medium output <b>HIGH</b> High output <b>CUST</b> Custom output <sup>1</sup>  <b>4b - Direct</b> <b>LOW</b> Low output <b>MED</b> Medium output <b>HIGH</b> High output <b>CUST</b> Custom output <sup>1</sup>  <small><sup>1</sup>consult factory</small>
<b>Voltage</b> <input type="text" value="5"/>	<b>Driver</b> <input type="text" value="6"/>	<b>Finish</b> <input type="text" value="7"/>	<b>Mounting</b> <input type="text" value="8"/>
<b>UNV 347V<sup>1</sup></b> Universal (120/277V) 347V	<b>DB PoE</b> Standard 0-10V 1% Power over Ethernet.	<b>W</b> White <b>BLK</b> Black <b>CC<sup>1</sup></b> Custom Color <b>CWF<sup>1</sup></b> Custom Wood Finish  <small><sup>1</sup>Custom Color. See finish options here. White SJ cord and canopy provided, for other requests, see section 12 to specify.</small>	<b>AC</b> Aircraft Cable (50")  <small>White canopy provided. Must specify other requests.</small>
<b>Optics</b> <input type="text" value="9"/>	<b>Sensors/Controls</b> <input type="text" value="10"/>	<b>Circuit</b> <input type="text" value="11"/>	<b>Options</b> <input type="text" value="12"/>
<b>SD</b> Standard Diffuser	<b>NA ACM CCS</b> None Acuity nLight Module Only Casambi Module  <small>Consult factory for other options.</small>	<b>NA DC<sup>1</sup></b> None Dual Circuit (separate indirect/direct control) <b>EM120V</b> Emergency pack <b>EM277V</b> Emergency pack <b>EMCKT<sup>1</sup></b> Emergency circuit <b>DAYCKT<sup>1</sup></b> Daylight circuit  <small><sup>1</sup>May require additional power feeds. Consult factory</small>	<b>NA CAN-X<sup>1</sup> SJ-X<sup>2</sup></b> None Canopy + color SJ Cord + color  <small><sup>1</sup>White SJ cord and canopy provided, use above nomenclature for other requests. <sup>2</sup>See finish options here.</small>

## Performance

Output <sup>1</sup>	indirect		direct	
	Watts	Lumens	Watts	Lumens
Low	112	4735	112	4118
Medium	140	5747	140	4998
High	170	6770	170	5887

<sup>1</sup>Based on a typically configured 90 CRI, 3500K luminaire using one driver.

Custom outputs available. Please consult factory.  
For 4000K multiply by 1.05, for 3000K 0.9, for 2700K, 0.92

## Technical Information



click [here](#) or scan QR code

Wiring diagrams, PoE and sensor details

Modification date: October,2021

# Ring 4 ft indirect/direct

## Emergency Back-Up

Emergency, battery-powered drivers are available. Emergency circuits for use with building generators are also available.

## Drivers & Electrical

Remote, dimmable drivers are supplied in enclosures.

## PoE (Power over Ethernet)

Compatible with virtually all PoE systems including Molex Coresync, Igor, Smartengine, Platformatics, and NuLED SPICEbox. Consult Factory for systems not listed, See [here](#) for more info.

## Weight

20 lbs

## Mounting

## Optics

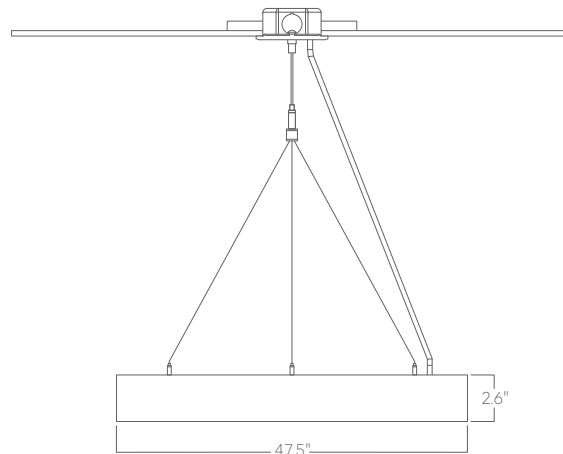
Laser-cut, cast, high-transmission acrylic lens with no LED imaging.

## Construction

Rolled extruded aluminum.

## Finishes

All luminaires are finished in high quality polyester powder coating. Our standard color is white. Any RAL color may be specified.



Aircraft cable