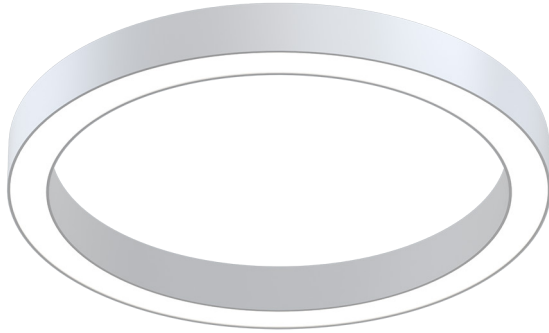


Ring 2ft direct

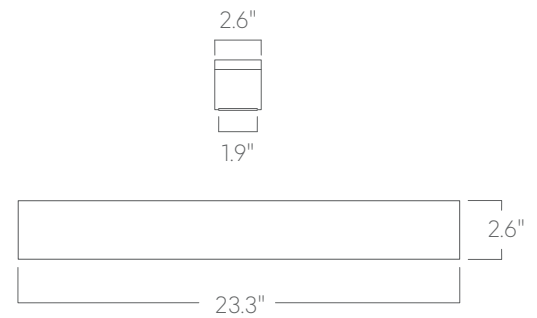


Our Performance Decorative luminaires offer a variety of decorative forms and sizes suitable for any modern space.

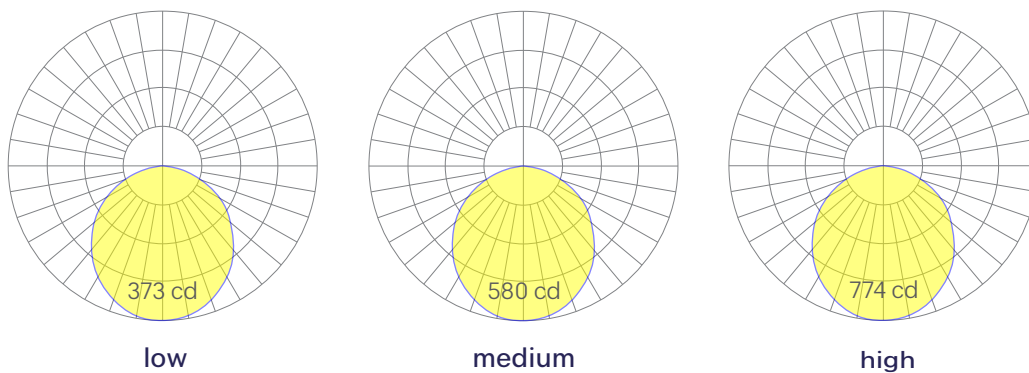
Features

- Rolled extruded aluminum
- Specifiable color temperature. CRI > 90, R9 >50
- Specifiable dimmable drivers or PoE
- Custom colors and wood finishes available
- 5 Year, 50,000 hour warranty, damp location rated
- WELL Building Standard compatible [learn more](#)

Dimensions



Optics



Representative distribution and peak candela. For other options see order information or IES files [here](#).

Ring 2ft direct

Ordering Information

For each option group below specify one option. If you don't see your preferred option listed, contact us for [help](#).

1	Fixture ID	2	Length	3	Color Temperature	4	Output
	RING	2	2 ft	27 30 35 40	2700K/90 CRI 3000K/90 CRI 3500K/90 CRI 4000K/90 CRI	LOW MED HIGH CUST	Low output Medium output High output Custom output Specify Watts or lumens
5	Voltage	6	Driver	7	Finish	8	Mounting
	UNV 347V Universal (120/277V) 347V Available for DB Driver only	DB PoE	Standard 0-10V 1% Power over Ethernet.	W BLK SLV CC CWF	White Black Silver Custom Color See finish options here . Custom Wood Finish See finish options here .	AC-CENT AC-MULTI	Aircraft Cable Suspended from a center canopy 50" steel cable provided. White canopies and power cord unless option specified in section 12. Aircraft Cable Individual suspension points 50" steel cable provided. White canopies and power cord unless option specified in section 12.
9	Optics	10	Sensors/Controls	11	Circuit	12	Options
	SD Standard Diffuser	NA ACM CCS AWNR OTHER	None Acuity nLight Module Only Casambi Module Lutron Athena Wireless Node Module Consult Factory	NA EMPCK EMCKT DAYCKT	None Emergency battery pack May require additional power feeds. Emergency circuit May require additional power feeds. Daylight circuit May require additional power feeds.	STD CAN-X SJ-BLK SJ-WHT	White Canopy + White Cord Canopy + color See finish options here . Black cord White cord

Performance

Output ¹	Watts	Lumens
Low	20	1049
Medium	32	1629
High	44	2173

¹Based on a typically configured 90 CRI, 3500K luminaire using one driver.
Custom outputs available. Please consult factory.
For 4000K multiply by 1.05; for 3000K, 0.9%; for 2700K, 0.92.

Technical Information



click [here](#) or
scan QR code

Wiring diagrams, PoE and sensor details

Ring 2ft direct

Emergency Back-Up

Emergency, battery-powered drivers are available. Emergency circuits for use with building generators are also available.

Drivers & Electrical

Remote, dimmable drivers are supplied in enclosures. For remote driver box sizes, click [here](#).

PoE (Power over Ethernet)

Compatible with virtually all PoE systems including Molex Coresync, Igor, Smartengine, Platformatics, and NuLED SPICEbox. Consult Factory for systems not listed, See [here](#) for more info.

Weight

10 lbs

Optics

Laser-cut, cast, high-transmission acrylic lens with no LED imaging.

Construction

Rolled extruded aluminum.

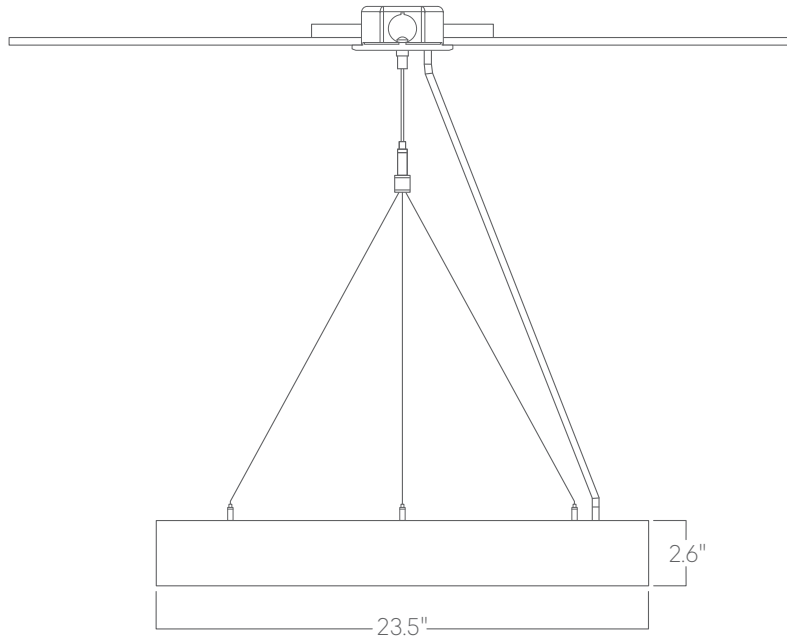
Finishes

All luminaires are finished in high quality polyester powder coating. Our standard color is white. Any RAL color may be specified.

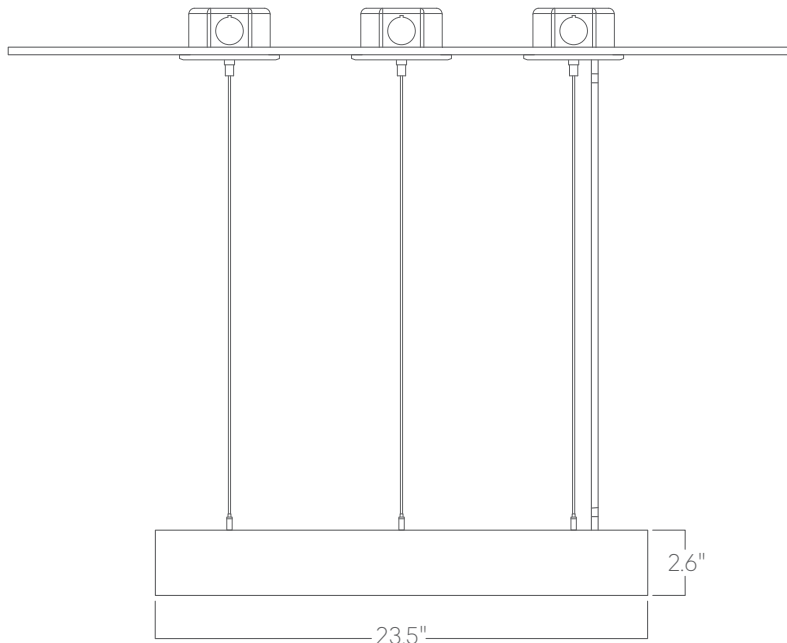
Ring 2ft direct

Mounting Options

Custom mounting types and ceiling transitions available; consult factory.



Aircraft cable



Aircraft cable (Individual susp. points)

Please consult factory shop drawings for suspension points. To prevent damage to fixtures, factory designated suspension points must not be field altered.