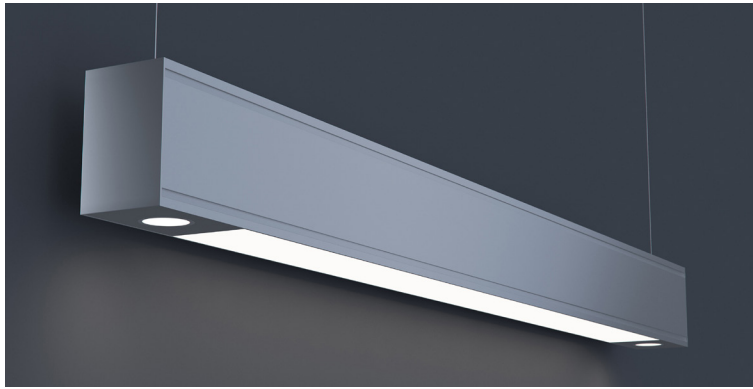


DATE _____ PROJECT _____ FIRM _____ TYPE _____



Linear, architectural luminaire with direct/indirect distribution and accent downlighting. Suspended, surface or wall mounted installation. For custom mounting consult factory.

FEATURES

- Available In Made To Measure Lengths Accurate Up To 1/16"
- Patterns Available (See Page 2)
- Damp Location Rated
- CRI 90+ Standard; R9>50
- 5 Year, 50,000 Hour Fixture Warranty
- 2700K, 3000K, 3500K, 4000K & 5000K Color Temperatures Available
- Available with PoE

APPLICATIONS Offices, Lobbies, Retail Stores, Classrooms, Reception Areas & Corridors

CONSTRUCTION Extruded Aluminum Housing with Die Cast Ends. Formed Steel Gear Tray | **OPTICS** Extruded High Transmission Satin Acrylic Lens with No LED Imaging. Accent Lighting Varies (See Page 3)

WARRANTY 5 Year Limited Warranty (Covers Standard Components) | **FINISH** Standard Powder-Coated White. Custom RAL Colors Available

FIXTURE RATINGS & CERTIFICATIONS Union Made ETL Listed | Made In The USA Damp Location Rated



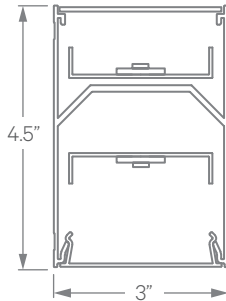
DRIVERS & SENSORS

For Wiring Diagrams and Sensor Information Click [Here](#)



ELECTRICAL Integral Driver with 0-10V Dimming Standard for both MR16 Lamps and Linear Component (Separate Circuit). Several Driver Options Available for Linear Component

EXTRUSION DIMENSIONS



LED SYSTEM INFORMATION

	Nominal System Watts		Nominal Delivered Lumens		Nominal Efficacy
	DIRECT	INDIRECT	DIRECT	INDIRECT	
Standard (LTG1)	7 W/ft	7 W/ft	590 lm/ft	710 lm/ft	92 LPW
Low (LTG2)	5 W/ft	5 W/ft	425 lm/ft	520 lm/ft	94 LPW
High (LTG3)	9.5 W/ft	9.5 W/ft	750 lm/ft	920 lm/ft	88 LPW
MR16**	8 W		550 lm		70 LPW

*Based on a 3500K luminaire using one driver. Custom outputs available; specify below.

**Based on a 10° standard beam spread.

ORDERING 1 2 3 4-INDIRECT 4-DIRECT 5 6 7 8 9-INDIRECT 9-DIRECT 10 11 12

1 - FIXTURE ID	2 - LENGTH	3 - COLOR TEMP	4 - LED SYSTEM	5 - VOLTAGE	6 - DRIVER (Linear Component)
LS3 MR UP/DN	2 - 2 ft 4 - 4 ft 8 - 8 ft X"-X" - Specify Length PAT - Pattern (Consult Factory)	27 - 2700K/90 CRI 30 - 3000K/90 CRI 35 - 3500K/90 CRI 40 - 4000K/90 CRI 50 - 5000K/90 CRI TW* - Tunable White RGBW** - RGB+3000K *Must use DMX or TW10 Driver **Must use DMX Driver	IN-INDIRECT LTG1 - Standard LTG2 - Low LTG3 - High LTGC - Custom Output	D - DIRECT LTG1 - Standard LTG2 - Low LTG3 - High LTGC - Custom Output	UNV - Universal (120/277V) DB - Standard Dimming (0-10V) DB1% - 1% Dimming (0-10V) DB.1% - 0.1% Dimming (0-10V) LTEA - Lutron 2-wire 1% Dimming (120V only) LDE1 - Lutron Digital EcoSystem LDE5 - 5 Series EcoSystem; 5% Dimming DMX - For Color Tuning and RGBW (Remote) PoE - Power over Ethernet. Consult Factory for Compatibility TW10 - Dual Channel, 0-10V For Color Tuning (CCT and Intensity Control)

7 - FINISH	8 - MOUNTING	9 - OPTICS	10 - CONTROL (Optional)	11 - OTHER OPTIONS	12 - ACCENT LIGHTING
W - White (Standard) BLK* - Black CC* - Custom Color (provide RAL number**) CWF* - Custom Wood Finish (provide color**)	AC - Air Craft Cable (50") SM - Surface Mount WM - Wall Mount *For Perimeter Mount see LSR3 MR spec sheet.	IN-INDIRECT SD - Standard Diffuser BW - 70° Batwing AVI-BW - 140° AVI-OPTIC Batwing ASYM - Asymmetric Optic POL - Pop-Out Lens (25")	D - DIRECT SD - Standard Diffuser WW - Wall Wash Reflector ASYM - Asymmetric Optic POL - Pop-Out Lens (1")	EIS - Enlighted Sensor WISD - Wattstopper Daylight Sensor WISM - Wattstopper Occupancy Sensor SLS - SensiLUM Sensor ACS - Acuity Controls nLight System CCS - Casambi Compatible ECS - Eaton WaveLinX System	EM 120V - Emergency Pack EM 277V - Emergency Pack EMCKT - Emergency Circuit 10° STD - 10° Standard 25° CRC - 25° Circular 36° CRC - 36° Circular 60° CRC - 60° Circular 60° LNR - 10° x 60° Linear HEX - Hexcell Louver (can add to any beam spread) *See page 3

*White cord and canopy provided. Must specify for other requests.
** (See [here](#) for finish options)

*For other control systems not listed consult factory.

DATE

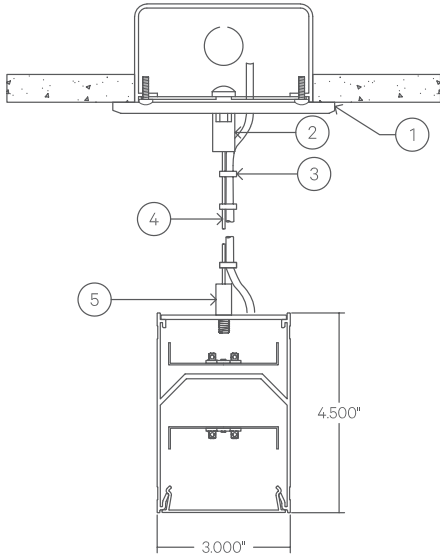
PROJECT

FIRM

TYPE

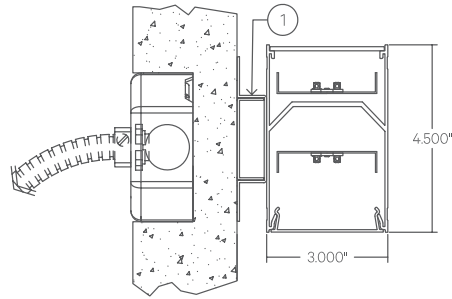
MOUNTING OPTIONS

AC - Air Craft Cable (50")



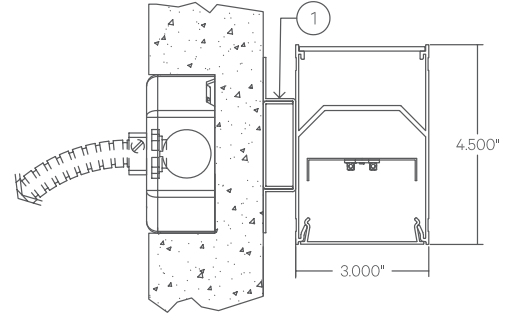
- 1 - 5" Round Canopy (Standard White Finish)
- 2 - Canopy Retainer
- 3 - SJT Cord (Standard White)
- 4 - Air Craft Cable
- 5 - Gripper

SM - Surface Mount



- 1 - Threaded Rod (not supplied)
- 2 - 1/4-20 Nut (not supplied)

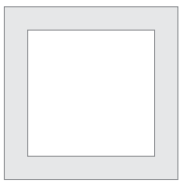
WM - Wall Mount



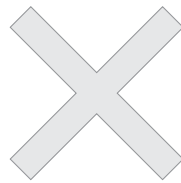
- 1 - 0.75" Wall Mount Bracket

PATTERNS

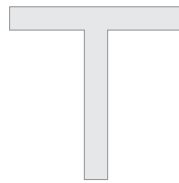
Patterns feature illuminated corners and angles. **Must consult factory for custom corners and patterns.**



Square Patterns



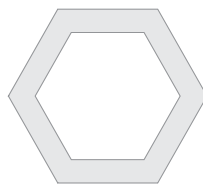
X Patterns



T Patterns

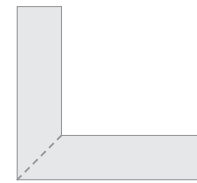


Custom Angles



Custom Patterns

LENS CUT



Mitered

DATE

PROJECT

FIRM

TYPE

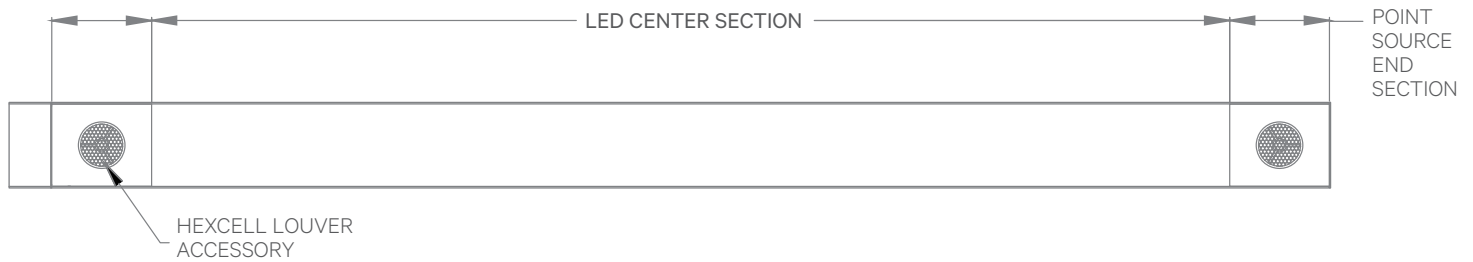
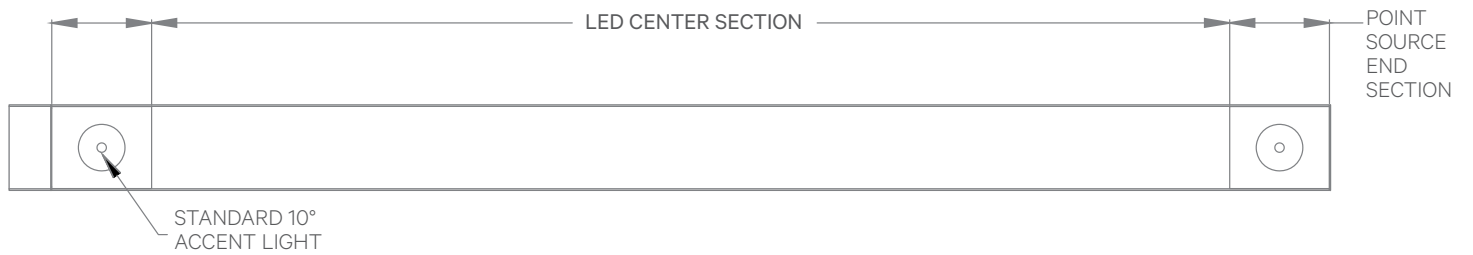
ACCENT DOWNLIGHT INFORMATION

SORAA MR16, 95CRI lamps provided with optional filters for flexible beam spread. Please note that when choosing 3500k color temperature a 4000k lamp with color correcting filter will be supplied.

OPTIONAL BEAM SPREADS AND FILTERS

- 10° Standard Lens
- 25° Circular Beam Spread*
- 36° Circular Beam Spread*
- 60° Circular Beam Spread*
- 10° x 60° Linear Beam Spread*
- Hexcell Louver for Reduced Glare (can be added to any beam spread)*

*Standard 10° SORAA lamp supplied with specially designed snap-in filter to create requested beam spread.



Please Note: On an individual fixture accent lights are placed on either end of the unit. For continuous runs, accent lights are placed every 8 feet. Consult Factory for alternative placement. Fixture must be a minimum of 4 feet.