

RAY6-R

Linear, recessed luminaire with beveled aluminum extrusion. For use in indoor applications where an LED luminaire with continuous light is required.



Features

- Glare-free lighting
- Available in custom lengths and long runs
- Damp Location Rated
- CRI Value: 80+; available in 90+
- 5 year, 50,000 hour lamp life Warranty
- 2700k, 3000k, 3500k, 4000k, and 5000k color temperatures available

Applications

- Offices
- Lobbies
- Retail Stores
- Classrooms
- Reception Areas
- Corridors

Details

Construction: Extruded aluminum housing with beveled edge.

Optics: Extruded Satin Acrylic Lens.

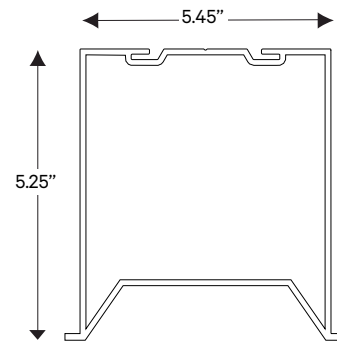
Electrical: Integral driver with dimming. Several driver options available. See below for Lutron Dimming information:

- LTEA**=2-wire forward phase; Hi-lume 1% Dimming, only available for 120V.
- L3DA**=3-wire EcoSystem; Hi-lume 1% Dimming
- LDE1**=Digital EcoSystem; Hi-lume 1% Dimming, 'soft-on fade-to-black' (Required for Daylighting)
- LDE5**=5 Series EcoSystem; 5% Dimming.

Warranty: 5 year limited warranty; covers standard components.

Approvals: Union made, ETL listed, and manufactured in the US. Rated for Damp Location.

Extrusion Dimensions



LED System Information

	Nominal System Watts	Nominal Delivered Lumens	Nominal Efficacy
Standard (LTG1)	7.25W/ft	575Lm/ft	79Lm/W
Low (LTG2)	5W/ft	400Lm/ft	80Lm/W
High (LTG3)	8.75W/ft	675Lm/ft	82Lm/W

Please Note: Standard CRI is 80+, must specify for requests over 90. Outputs reflected in chart based on 4000K color temperature. For custom LED package requests consult factory; wattages vary based on specified output. Additional photometric information available.

Ordering Information

RAY6-R	Size***	LED System	Color Temp	Voltage	Mounting	Driver	Options
Series	2FT 4FT 8FT XFT (Custom Lengths and Continuous Runs)	LTG1- Standard LTG2- Low LTG3- High C- Custom Output (ie-C550Lm/ft)	2700K 3000K 3500K 4000K 5000K	120 277 UNV	T- 9/16" Tee Grid* SG- Slot Grid/Interlude	DB- Standard 10% Dimming (0-10V) DB1%-1% Dimming (0-10V) DB.01%-.01% Dimming (0-10V) LTEA*-Lutron 2-wire 1% Dimming L3DA*-Lutron 3-wire 1% Dimming LDE1*-Lutron Digital EcoSystem LDE5*-5 Series EcoSystem; 5% Dimming	EM-Emergency Pack WH-Whips EIS- Integral Sensor by Enlighted WIS- Integral Sensor by Wattstopper WW- Wall Wash TW-Tunable White 90CRI- CRI of 90+
	***All lengths are nominal, for shop drawings please consult factory					*Refer to 'Electrical' Information Above	

Ordering Example: RAY6-R-4FT-LTG2-4000K-UNV-NT-LTEA-EM