

DATE

JOB NAME

TYPE

Features	Applications
<ul style="list-style-type: none"> <li>• Shallow profile providing continuous light</li> <li>• Offered with optional wall wash reflector</li> <li>• Uses T8, T5, or T5HO</li> </ul>	<ul style="list-style-type: none"> <li>• Offices Areas</li> <li>• Corridors</li> <li>• Retail</li> <li>• Perimeters</li> <li>• Lobbies</li> </ul>

Series	Size	Lamps	Watts	Voltage	Mounting	Options
<b>LS4</b>	4FT (NOMINAL) 8FT (NOMINAL) 12FT (NOMINAL) XFT (CONTINUOUS ROW MOUNTING)	1 2 (T5/T5HO ONLY)	T5 T5HO T8	120 277 UNV	AC-Aircraft Cable (24", 36" standard, 48") PS-Pendant Stem (6", 12", 24", 36", 48") SM-Surface Mount WB-Wall Bracket (with uplight slots)	EM-Emergency Pack* (*Must specify voltage) EM2-2 Light Emergency* (*Must specify voltage) DB-Dimming Ballast SC-Separate Circuit WW-Wall Wash Reflector CC-Custom Color

Ordering Example: LS4-8FT-1-T5HO-UNV-PS12"-EM

**Details**

**Application Features:** Premium grade, modular architectural luminaire with opal acrylic lens. For use in indoor applications where a T8, T5, T5HO or LED luminaire with small profile providing continuous light is required. Available as individual fixtures or with end and intermediate units for mounting in continuous rows. Available in 4', 6' and 8' lengths in either suspended, surface or wall mounted configurations.

**Construction:** Extruded Aluminum Housing.

**Finish:** Powder painted high reflectance white.

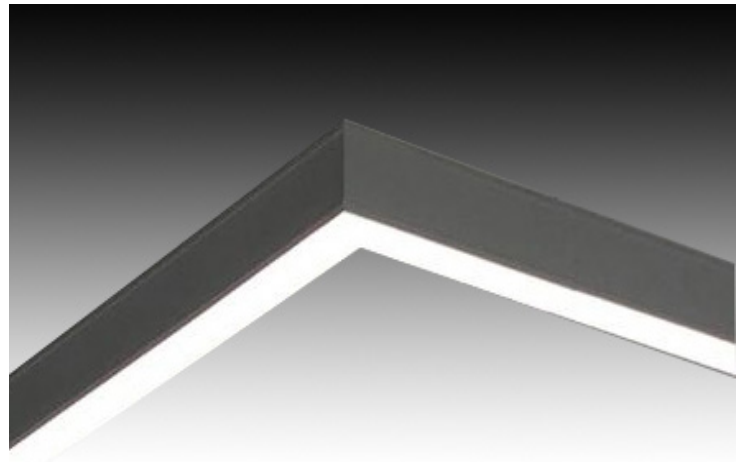
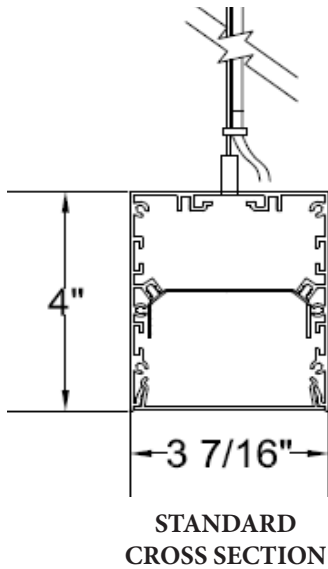
**Electrical:** Electronic ballasts are class P, thermally protected.

**Approvals:** Union made, UL listed, and manufactured in the US.

**Optics:** White reflector with Opal white acrylic lens

**Options:** Emergency Battery Backup, Dimming Ballast, Separate Circuit, Wall Wash Reflector, or custom color.

**Light Distribution:**  
**Indirect-0% Direct-100%**



CORNERS/PATTERNS AVAILABLE

WALL MOUNT INSTALLATION:

