





DATE _____ PROJECT _____ FIRM _____ TYPE _____



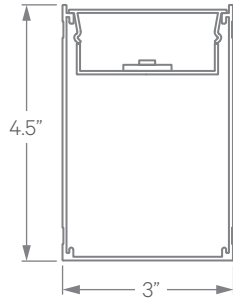
Linear luminaire with all uplight. For use in indoor applications where an LED luminaire providing continuous light is required. Suspended or wall mount installation.

FEATURES

- Available In Made To Measure Lengths Accurate Up To 1/16"
- Patterns Available (See Page 2)
- Damp Location Rated
- CRI 90+ Standard; R9>50
- 5 Year, 50,000 Hour Fixture Warranty
- 2700K, 3000K, 3500K, 4000K & 5000K Color Temperatures Available
- Available with PoE

APPLICATIONS	Offices, Lobbies, Retail Stores, Classrooms, Reception Areas & Corridors		
CONSTRUCTION	Extruded Aluminum Housing with Steel End Caps. Formed Steel Gear Tray		OPTICS Extruded High Transmission Satin Acrylic Lens with No LED Imaging. Additional Optics Available
WARRANTY	5 Year Limited Warranty (Covers Standard Components)		FINISH Standard Powder-Coated White. Custom RAL Colors Available
FIXTURE RATINGS & CERTIFICATIONS	Union Made ETL Listed	Made In The USA DLC Listed	Damp Location Rated   
ELECTRICAL	Integral Driver with 0-10V Dimming Standard. Several Driver Options Available		DRIVERS & SENSORS For Wiring Diagrams and Sensor Information Click Here 

EXTRUSION DIMENSIONS



LED SYSTEM INFORMATION

	Nominal System Watts	Nominal Delivered Lumens	Nominal Efficacy
Standard (LTG1)	7.25 W/ft	650 lm/ft	90 LPW
Low (LTG2)	5 W/ft	485 lm/ft	93 LPW
High (LTG3)	10 W/ft	885 lm/ft	89 LPW

Based on a 3500K luminaire using one driver. Custom outputs available; specify below.

ORDERING 1 2 3 4 5 6 7 8 9 10 11

1 - FIXTURE ID LS3 LED UP	2 - LENGTH 2 - 2 ft 4 - 4 ft 8 - 8 ft X'-X" - Specify Length PAT - Pattern (Consult Factory)	3 - COLOR TEMP 27 - 2700K/90 CRI 30 - 3000K/90 CRI 35 - 3500K/90 CRI 40 - 4000K/90 CRI 50 - 5000K/90 CRI TW* - Tunable White RGBW** - RGB + 3000K *Must use DMX or TW10 Driver **Must use DMX Driver	4 - LED SYSTEM LTG1 - Standard LTG2 - Low LTG3 - High LTGC - Custom Output	5 - VOLTAGE UNV - Universal (120/277V)	6 - DRIVER DB - Standard Dimming (0-10V) DB1% - 1% Dimming (0-10V) DB.1% - 0.1% Dimming (0-10V) LTEA - Lutron 2-wire 1% Dimming (120V only) LDE1 - Lutron Digital EcoSystem LDE5 - 5 Series EcoSystem; 5% Dimming PoE - Power over Ethernet. Consult Factory for Compatibility DMX - For Color Tuning and RGBW (Remote) TW10 - Dual Channel, 0-10V For Color Tuning (CCT and Intensity Control)
7 - FINISH W - White (Standard) BLK* - Black CC* - Custom Color (provide RAL#) *White cord and canopy provided. Must specify for other requests.	8 - MOUNTING AC - Air Craft Cable (50") WM - Wall Mount	9 - OPTICS SD - Standard Diffuser BW - 70° Batwing AVI-BW - 140° AVI-OPTIC Batwing ASYM - Asymmetric Optic	10 - CONTROL (Optional) EIS - Enlighted Sensor WISD - Wattstopper Daylight Sensor WISM - Wattstopper Occupancy Sensor SLS - SensiLUM Sensor ACS - Acuity Controls nLight System CCS - Casambi Compatible ECS - Eaton WaveLinx System *For other control systems not listed consult factory.	11 - OTHER OPTIONS EM 120V - Emergency Pack EM 277V - Emergency Pack EMCKT - Emergency Circuit	

DATE

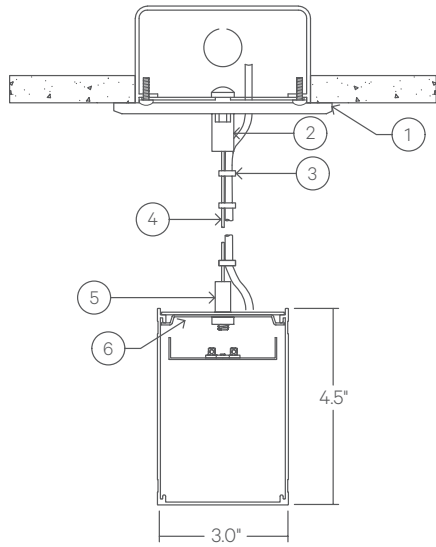
PROJECT

FIRM

TYPE

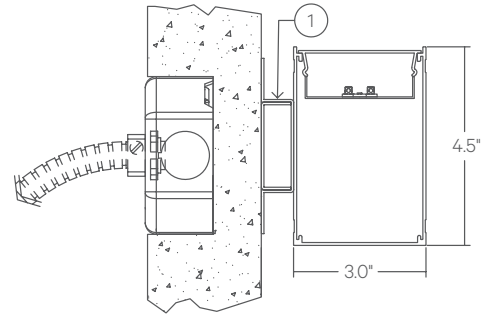
MOUNTING OPTIONS

AC - Air Craft Cable (50")



- 1 - 5" Round Canopy (Standard White Finish)
- 2 - Canopy Retainer
- 3 - SJT Cord (Standard White)
- 4 - Air Craft Cable
- 5 - Gripper
- 6 - Hanging Bracket

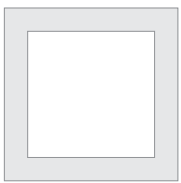
WM - Wall Mount



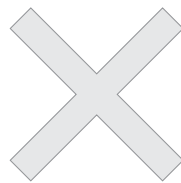
- 1 - 0.75" Wall Mount Bracket

PATTERNS

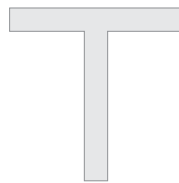
Patterns feature illuminated corners and angles. **Must consult factory for custom corners, patterns and elevations.**



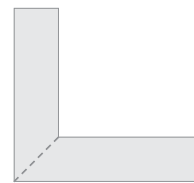
Square Patterns



X Patterns



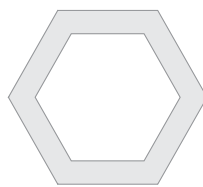
T Patterns



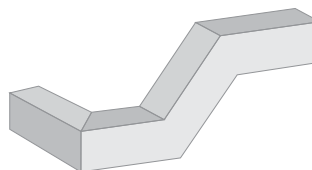
Mitered



Custom Angles



Custom Patterns



Custom Elevations

LENS CUT

Updated: 05/16/2019