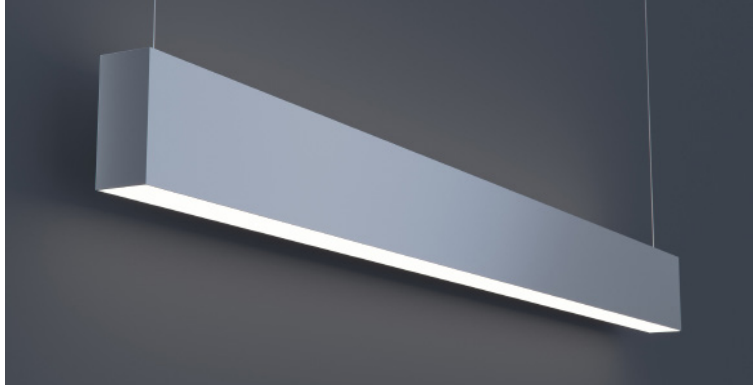


DATE	PROJECT	FIRM	TYPE
------	---------	------	------



Narrow, linear luminaire with direct and indirect lighting. For use in indoor applications requiring a small profile LED luminaire that provides continuous light. Suitable for suspended or wall mount installation.

### FEATURES

- Direct/Indirect Lighting
- Available In Custom Lengths & Long Runs To 1/16" Accuracy
- Corners & Patterns Available (See Page 2)
- Damp Location Rated
- CRI 90+ Standard
- 5 Year, 50,000 Hour Fixture Warranty
- 2700K, 3000K, 3500K, 4000K & 5000K Color Temperatures Available
- Enlighted/Wattstopper Sensors Available

**APPLICATIONS** Offices, Lobbies, Retail Stores, Classrooms, Reception Areas & Corridors

**CONSTRUCTION** Extruded Aluminum Housing with Die Cast Ends. Formed Steel Gear Tray

**OPTICS** Extruded High Transmission Satin Acrylic Lens With No LED Imaging (D), Clear Dust Cover (IN). Additional Optics Available

**WARRANTY** 5 Year Limited Warranty (Covers Standard Components)

**FINISH** Standard Powder-Coated White. Custom RAL Colors Available

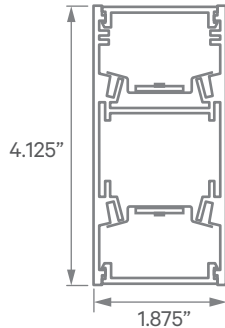
**FIXTURE RATINGS & CERTIFICATIONS** Union Made Made In The USA  
ETL Listed Damp Location Rated



**ELECTRICAL** Integral Driver With 0-10V 10% Dimming Standard. Several Driver Options Available. See Below For Lutron Dimming Information

2-Wire Forward Phase; Hi-Lume 1% Dimming, Only Available For 120V	LTEA
3-Wire EcoSystem; Hi-lume 1% Dimming	L3DA
Digital EcoSystem; Hi-lume 1% Dimming, 'Soft-on Fade-to-black' (Required for Daylighting)	LDE1
5 Series EcoSystem; 5% Dimming	LDE5

### EXTRUSION DIMENSIONS



### LED SYSTEM INFORMATION

	Nominal System Watts		Nominal Delivered Lumens		Nominal Efficacy
	DIRECT	INDIRECT	DIRECT	INDIRECT	
Standard (LTG1)	7.5 W/ft	7.5 W/ft	705 Lm/ft	640 Lm/ft	86 Lm/W
Low (LTG2)	5.25 W/ft	5.25 W/ft	485 Lm/ft	440 Lm/ft	87 Lm/W
High (LTG3)	9 W/ft	9 W/ft	810 Lm/ft	730 Lm/ft	83 Lm/W

Based on a 3500K luminaire using one driver. Please consult factory for custom lumen outputs & wattage.

**ORDERING**

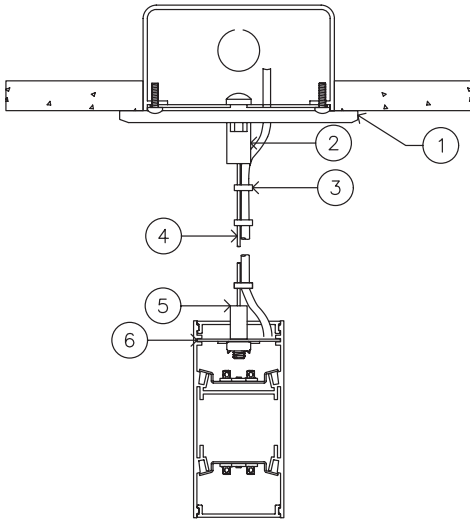
1	2	3	4-IN	4-D	5	6	7	8	9	10-IN	10-D	11
---	---	---	------	-----	---	---	---	---	---	-------	------	----

<p><b>1 - FIXTURE ID</b> LS1 LED UP/DN</p>	<p><b>2 - LENGTH</b> 2 - 2 ft 4 - 4 ft 8 - 8 ft x'-x" - Custom (specify length) **Patterns available, consult factory</p>	<p><b>3 - COLOR TEMP</b> 27 - 2700K/90 CRI 30 - 3000K/90 CRI 35 - 3500K/90 CRI 40 - 4000K/90 CRI 50 - 5000K/90 CRI TW* - Tunable White RGBW* - RGB + 3000K *Must use DMX Driver (Remote)</p>	<p><b>4 - LED SYSTEM</b> IN - INDIRECT D - DIRECT LTG1 - Standard LTG2 - Low LTG3 - High C - Custom Output (ie-C550Lm/ft)</p>	<p><b>5 - VOLTAGE</b> UNV - Universal (120/277V)</p>	<p><b>6 - DRIVER</b> DB - Standard 10% Dimming (0-10V) DB1% - 1% Dimming (0-10V) DB.01% - .01% Dimming (0-10V) LTEA* - Lutron 2-wire 1% Dimming L3DA* - Lutron 3-wire 1% Dimming LDE1* - Lutron Digital EcoSystem LDE5* - 5 Series EcoSystem; 5% Dimming *Refer to 'Electrical' Information Above DMX - For Color Tuning and RGBW</p>
<p><b>7 - FINISH</b> W - White (Standard) BLK - Black CC - Custom Color (provide RAL#)</p>	<p><b>8 - MOUNTING</b> AC - Air Craft Cable (50") WM - Wall Mount</p>	<p><b>9 - CONTROL</b> EIS - Integral Sensor by Enlighted WIS - Integral Sensor by Wattstopper</p>	<p><b>10 - OPTICS</b> IN - INDIRECT D - DIRECT SD - Standard Diffuser BW - Batwing Optic ASYM - Asymmetric Optic</p>	<p><b>11 - OPTIONS</b> SC - Separate Circuit EM 120V - Emergency Pack EM 277V - Emergency Pack</p>	

DATE	PROJECT	FIRM	TYPE
------	---------	------	------

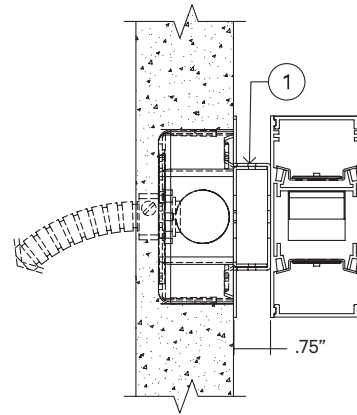
## MOUNTING OPTIONS

AC - Air Craft Cable (50")



- 1 - 5" Round Canopy (Standard White Finish)
- 2 - Canopy Retainer
- 3 - S-JT Cord (Standard White)
- 4 - Air Craft Cable
- 5 - Gripper

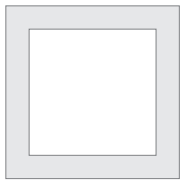
WM - Wall Mount



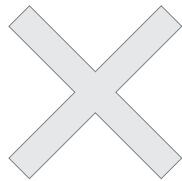
- 1 - 0.75" Wall Mount Bracket

## CORNERS & PATTERNS

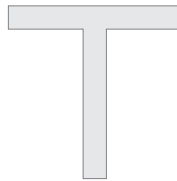
Available with illuminated corners, angles, and custom patterns. **Must consult factory for custom corners and patterns.**



Square Patterns



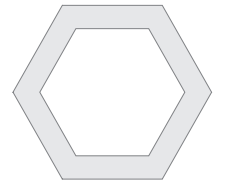
X Patterns



T Patterns



Custom Angles

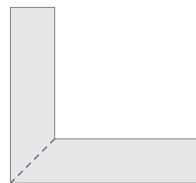


Custom Patterns

## LENS CUT OPTIONS



Straight-cut



Mitered Angle

NOTE: Straight-Cut is standard configuration, Mitered Angle is optional and must be specified.

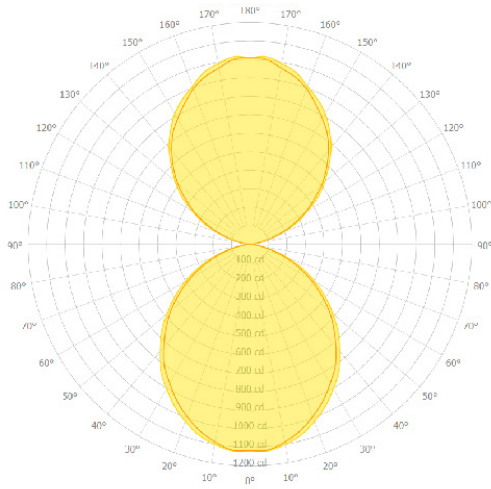
DATE

PROJECT

FIRM

TYPE

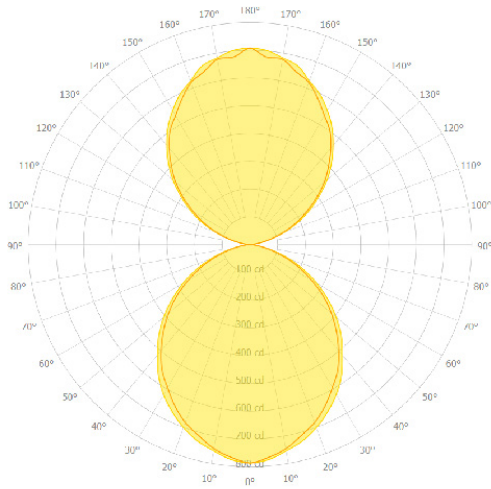
## PHOTOMETRICS



**LS1 LED UP/DN 4FT LTG1 3500K**  
 DELIVERED LUMENS: 5,209Lm  
 TOTAL WATTS: 60W  
 EFFICACY: 86 Lumens/Watt

### ZONAL LUMEN SUMMARY

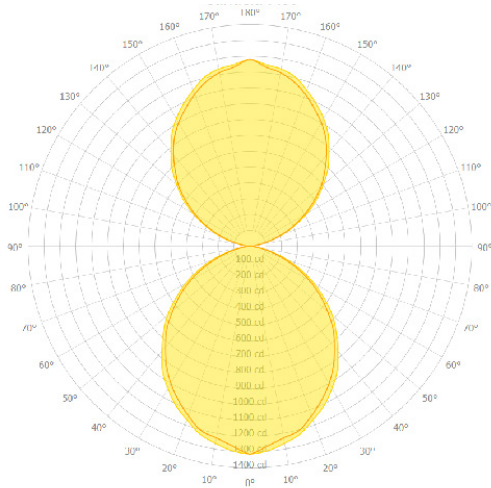
ZONE	LUMENS	% LAMP	% FIXTURE
0.00 - 30.00	841.52	11.08	16.15
0.00 - 40.00	1349.05	17.77	25.90
0.00 - 60.00	2281.18	30.05	43.79
0.00 - 90.00	2737.04	36.05	52.54
90.00 - 120.00	417.90	5.50	8.02
90.00 - 150.00	1716.56	22.61	32.95
90.00 - 180.00	2472.35	32.57	47.46
0.00 - 180.00	5209.39	68.62	100.00



**LS1 LED UP/DN 4FT LTG2 3500K**  
 DELIVERED LUMENS: 3,685Lm  
 TOTAL WATTS: 42W  
 EFFICACY: 87 Lumens/Watt

### ZONAL LUMEN SUMMARY

ZONE	LUMENS	% LAMP	% FIXTURE
0.00 - 30.00	579.17	11.09	16.15
0.00 - 40.00	927.71	17.76	25.88
0.00 - 60.00	1569.92	30.05	43.79
0.00 - 90.00	1883.56	36.06	52.54
90.00 - 120.00	287.08	5.50	8.01
90.00 - 150.00	1180.85	22.60	32.94
90.00 - 180.00	1701.67	32.57	47.46
0.00 - 180.00	3685.23	68.63	100.00



**LS1 LED UP/DN 4FT LTG3 3500K**  
 DELIVERED LUMENS: 5,973Lm  
 TOTAL WATTS: 72W  
 EFFICACY: 83 Lumens/Watt

### ZONAL LUMEN SUMMARY

ZONE	LUMENS	% LAMP	% FIXTURE
0.00 - 30.00	964.55	11.08	16.15
0.00 - 40.00	1546.48	17.76	25.89
0.00 - 60.00	2616.78	30.05	43.81
0.00 - 90.00	3138.38	36.05	52.54
90.00 - 120.00	479.06	5.50	8.02
90.00 - 150.00	1967.82	22.60	32.94
90.00 - 180.00	2835.16	32.56	47.46
0.00 - 180.00	5973.55	68.61	100.00