



DATE	PROJECT	FIRM	TYPE
------	---------	------	------



Narrow, linear luminaire with direct and indirect lighting. For use in indoor applications requiring a small profile LED luminaire that provides continuous light. Suitable for suspended or wall mount installation.

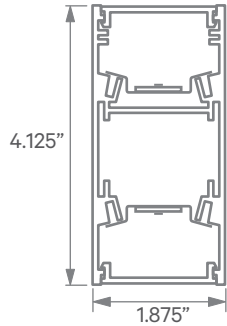
### FEATURES

- Direct/Indirect Lighting
- Available In Custom Lengths & Long Runs To 1/16" Accuracy
- Corners & Patterns Available (See Page 2)
- Damp Location Rated
- CRI 90+ Standard
- 5 Year, 50,000 Hour Fixture Warranty
- 2700K, 3000K, 3500K, 4000K & 5000K Color Temperatures Available
- Enlighted/Wattstopper Sensors Available

<b>APPLICATIONS</b>	Offices, Lobbies, Retail Stores, Classrooms, Reception Areas & Corridors			
<b>CONSTRUCTION</b>	Extruded Aluminum Housing with Die Cast Ends. Formed Steel Gear Tray	<b>OPTICS</b>	Extruded High Transmission Satin Acrylic Lens With No LED Imaging (D), Clear Dust Cover (IN). Additional Optics Available	
<b>WARRANTY</b>	5 Year Limited Warranty (Covers Standard Components)		<b>FINISH</b>	Standard Powder-Coated White. Custom RAL Colors Available
<b>FIXTURE RATINGS &amp; CERTIFICATIONS</b>	Union Made ETL Listed	Made In The USA Damp Location Rated	 	

**ELECTRICAL** Integral Driver With 0-10V 10% Dimming Standard. Several Driver Options Available. See Below For Lutron Dimming Information

### EXTRUSION DIMENSIONS



### LED SYSTEM INFORMATION

	Nominal System Watts		Nominal Delivered Lumens		Nominal Efficacy
	DIRECT	INDIRECT	DIRECT	INDIRECT	
Standard (LTG1)	7 W/ft	7 W/ft	585 Lm/ft	515 Lm/ft	83 Lm/W
Low (LTG2)	5 W/ft	5 W/ft	430 Lm/ft	380 Lm/ft	83 Lm/W
High (LTG3)	9.5 W/ft	9.5 W/ft	775 Lm/ft	700 Lm/ft	78 Lm/W

Based on a 3500K luminaire using one driver. Please consult factory for custom lumen outputs & wattage.

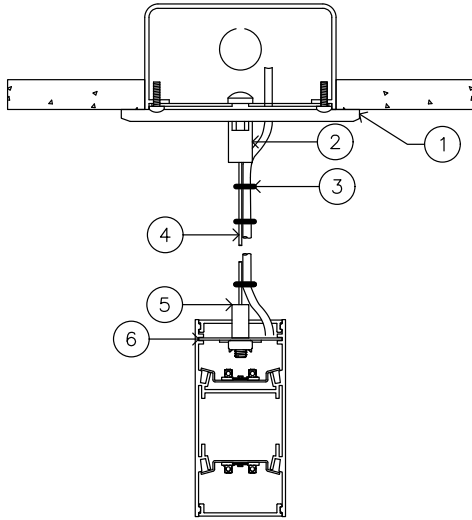
<b>ORDERING</b>	1	2	3	4-IN	4-D	5	6	7	8	9-IN	9-D	10	11
-----------------	---	---	---	------	-----	---	---	---	---	------	-----	----	----

<b>1 - FIXTURE ID</b> LS1 LED UP/DN	<b>2 - LENGTH</b> 2 - 2 ft 4 - 4 ft 8 - 8 ft x'-x" - Custom (specify length)  **Patterns available consult factory	<b>3 - COLOR TEMP</b> 27 - 2700K/90 CRI 30 - 3000K/90 CRI 35 - 3500K/90 CRI 40 - 4000K/90 CRI 50 - 5000K/90 CRI TW* - Tunable White RGBW* - RGB + 3000K  *Must use DMX Driver (Remote)	<b>4 - LED SYSTEM</b> IN - INDIRECT LTG1 - Standard LTG2 - Low LTG3 - High C - Custom Output (ie- C550Lm/ft)	<b>5 - VOLTAGE</b> D - DIRECT LTG1 - Standard LTG2 - Low LTG3 - High C - Custom Output (ie- C550Lm/ft)	<b>6 - DRIVER</b> UNV - Universal (120/277V) DB - Standard 10% Dimming (0-10V) DB1% - 1% Dimming (0-10V) DB.01% - .01% Dimming (0-10V) LTEA - Lutron 2-wire 1% Dimming L3DA - Lutron 3-wire 1% Dimming LDE1 - Lutron Digital EcoSystem LDE5 - 5 Series EcoSystem; 5% Dimming DMX - For Color Tuning and RGBW
<b>7 - FINISH</b> W - White (Standard) BLK - Black CC - Custom Color (provide RAL#)	<b>8 - MOUNTING</b> AC - Aircraft Cable (50") WM - Wall Mount	<b>9 - OPTICS</b> IN - INDIRECT SD - Standard Diffuser BW - Batwing Optic ASYM - Asymmetric Optic	<b>10 - CONTROL (Optional)</b> D - DIRECT SD - Standard Diffuser BW - Batwing Optic ASYM - Asymmetric Optic	<b>11 - CIRCUIT</b> EIS - Integral Sensor by Enlighted WIS - Integral Sensor by Wattstopper	DC - Dual Circuit EM 120V - Emergency Pack EM 277V - Emergency Pack

DATE	PROJECT	FIRM	TYPE
------	---------	------	------

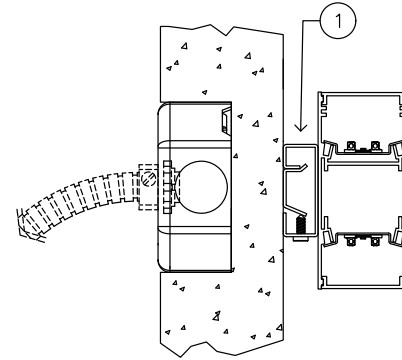
## MOUNTING OPTIONS

AC - Air Craft Cable (50")



- 1 - 5" Round Canopy (Standard White Finish)
- 2 - Canopy Retainer
- 3 - S-JT Cord (Standard White)
- 4 - Air Craft Cable
- 5 - Gripper

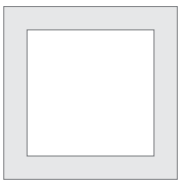
WM - Wall Mount



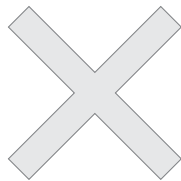
- 1 - 0.75" Wall Mount Bracket

## CORNERS & PATTERNS

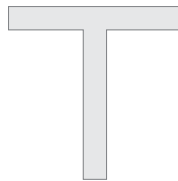
Available with illuminated corners, angles, and custom patterns. **Must consult factory for custom corners, patterns and elevations.**



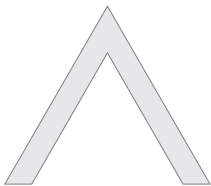
Square Patterns



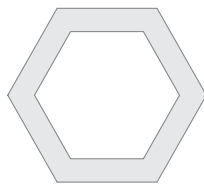
X Patterns



T Patterns



Custom Angles



Custom Patterns



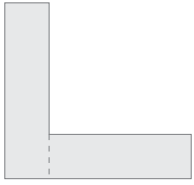
Custom Elevations

---

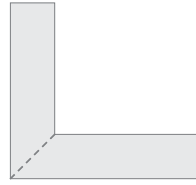
DATE	PROJECT	FIRM	TYPE
------	---------	------	------

---

## LENS CUT OPTIONS



Straight-cut



Mitered Angle

NOTE: Straight-Cut is standard configuration, Mitered Angle is optional and must be specified.