

DATE _____ PROJECT _____ FIRM _____ TYPE _____



Narrow, linear luminaire with round lens. For use in indoor applications where an LED luminaire with small profile providing continuous light is required. Suspended, surface or wall mount installation.

FEATURES

- Available In Made To Measure Lengths Accurate Up To 1/16"
- Rounded Diffuser
- Damp Location Rated
- CRI 90+ Standard; R9>50
- 5 Year, 50,000 Hour Fixture Warranty
- 2700K, 3000K, 3500K, 4000K & 5000K Color Temperatures Available
- Available with PoE

APPLICATIONS Offices, Lobbies, Retail Stores, Classrooms, Reception Areas & Corridors

CONSTRUCTION Extruded Aluminum Housing with Steel End Caps. Formed Steel Gear Tray

OPTICS Rounded, Extruded High Transmission Satin Acrylic Lens with No LED Imaging

WARRANTY 5 Year Limited Warranty (Covers Standard Components)

FINISH Standard Powder-Coated White. Custom RAL Colors Available

FIXTURE RATINGS & CERTIFICATIONS Union Made ETL Listed Made In The USA Damp Location Rated



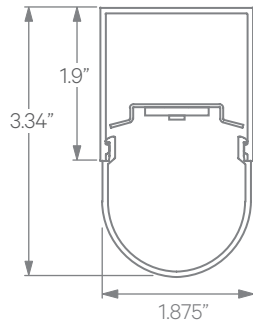
DRIVERS & SENSORS

For Wiring Diagrams and Sensor Information Click [Here](#)



ELECTRICAL Integral Driver with 0-10V Dimming Standard or 'Power Over Wire' System Which Eliminates Power Feed Cord By Combining The Aircraft Cable and Power Feed

EXTRUSION DIMENSIONS



LED SYSTEM INFORMATION

	Nominal System Watts	Nominal Delivered Lumens	Nominal Efficacy
Standard (LTG1)	7.25 W/ft	667 lm/ft	92 LPW
Low (LTG2)	5 W/ft	470 lm/ft	94 LPW
High (LTG3)	8.75 W/ft	790 lm/ft	87 LPW

Based on a 3500K luminaire using one driver. Custom outputs available; specify below.

ORDERING



<p>1 - FIXTURE ID</p> <p>LS1 LED RD</p>	<p>2 - LENGTH</p> <p>2 - 2 ft 4 - 4 ft 8 - 8 ft X'-X" - Specify Length</p>	<p>3 - COLOR TEMP</p> <p>27 - 2700K/90 CRI 30 - 3000K/90 CRI 35 - 3500K/90 CRI 40 - 4000K/90 CRI 50 - 5000K/90 CRI TW* - Tunable White RGBW** - RGB+3000K</p> <p>*Must use DMX or TW10 Driver **Must use DMX Driver</p>	<p>4 - LED SYSTEM</p> <p>LTG1 - Standard LTG2 - Low LTG3 - High LTGC - Custom Output</p>	<p>5 - VOLTAGE</p> <p>UNV - Universal (120/277V)</p>	<p>6 - DRIVER</p> <p>DB - Standard Dimming (0-10V) DB1% - 1% Dimming (0-10V) DB.1% - 0.1% Dimming (0-10V) LTEA - Lutron 2-wire 1% Dimming (120V only) LDE1 - Lutron Digital EcoSystem LDE5 - 5 Series EcoSystem; 5% Dimming PoE - Power over Ethernet. Consult Factory for Compatibility DMX - For Color Tuning and RGBW (Remote) TW10 - Dual Channel, 0-10V For Color Tuning (CCT and Intensity Control)</p>	<p>7 - FINISH</p> <p>W - White (Standard) BLK* - Black CC* - Custom Color (provide RAL#)</p>	<p>8 - MOUNTING</p> <p>AC - Air Craft Cable (50") ACP - Power Over Aircraft Cable SM - Surface Mount WM - Wall Mount</p>	<p>9 - OTHER OPTIONS</p> <p>EM 120V - Emergency Pack EM 277V - Emergency Pack EMCKT - Emergency Circuit</p>
--	---	--	---	---	--	---	---	--

*White cord and canopy provided.
Must specify for other requests

DATE

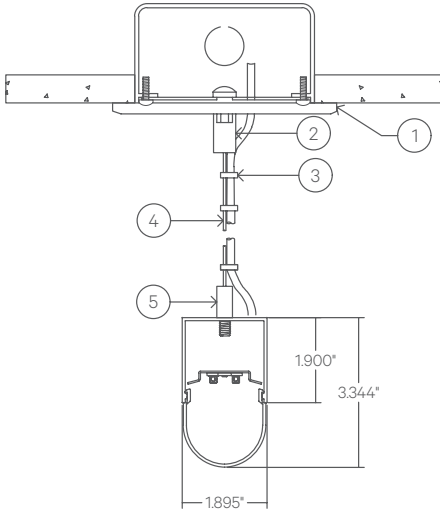
PROJECT

FIRM

TYPE

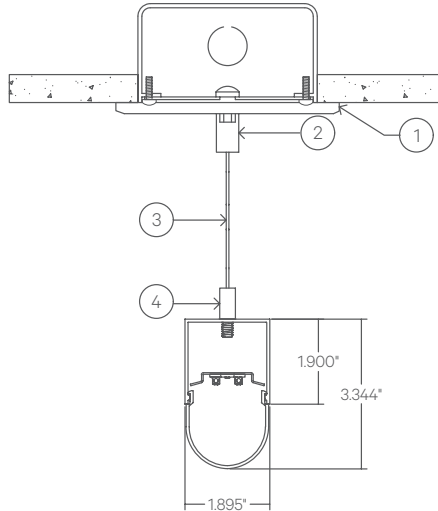
MOUNTING OPTIONS

AC - Air Craft Cable (50")



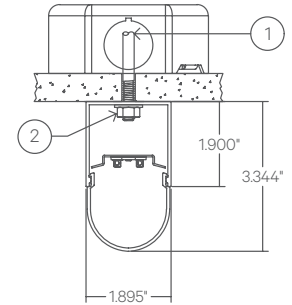
- 1 - 5" Round Canopy (Standard White Finish)
- 2 - Canopy Retainer
- 3 - SJT Cord (Standard White)
- 4 - Air Craft Cable
- 5 - Gripper

ACP - Power Over Aircraft Cable



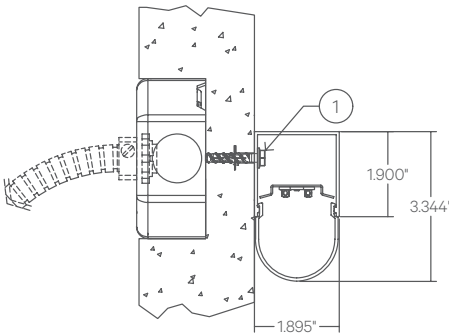
- 1 - 5" Round Canopy (Standard White Finish)
- 2 - Canopy Retainer
- 3 - ACP Cable
- 4 - Gripper

SM - Surface Mount



- 1 - Threaded Rod (not supplied)
- 2 - 1/4-20 Nut (not supplied)

WM - Wall Mount



- 1 - Hardware (not supplied)

DATE

PROJECT

FIRM

TYPE

ACP - 'Power Over Aircraft Cable' Option

